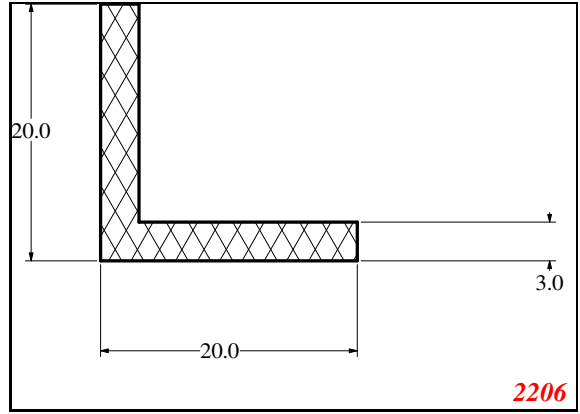
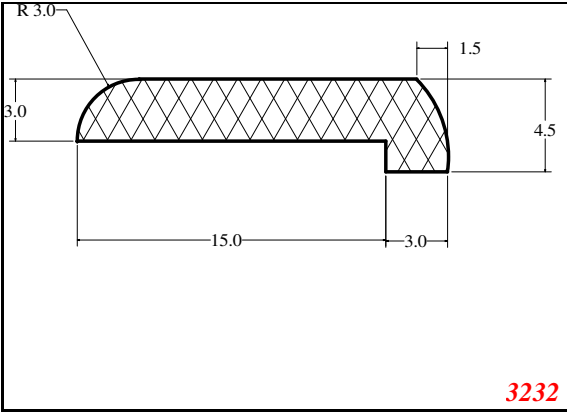
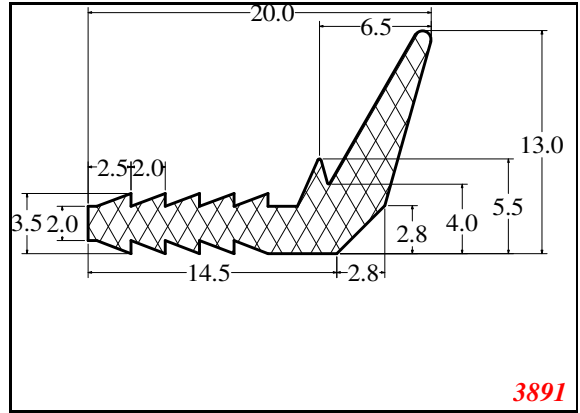
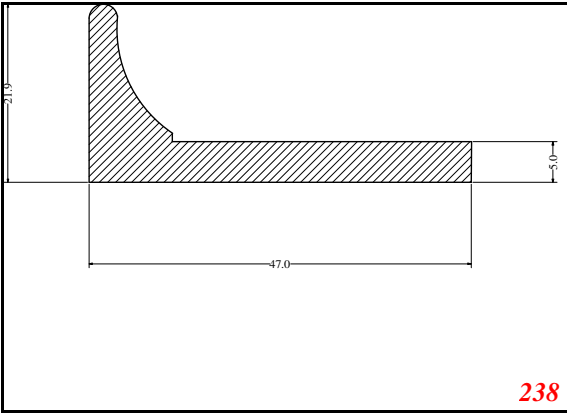
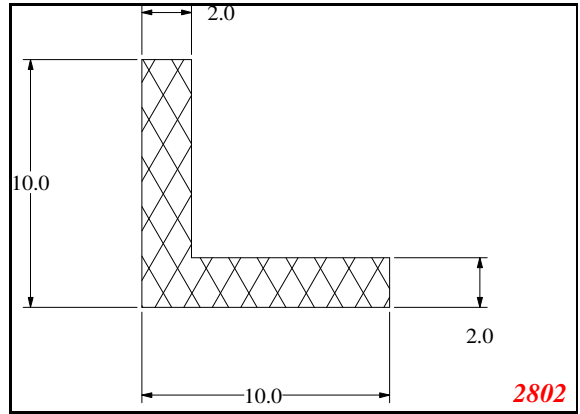
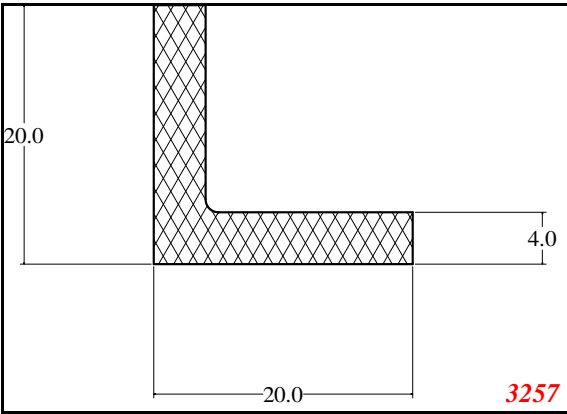
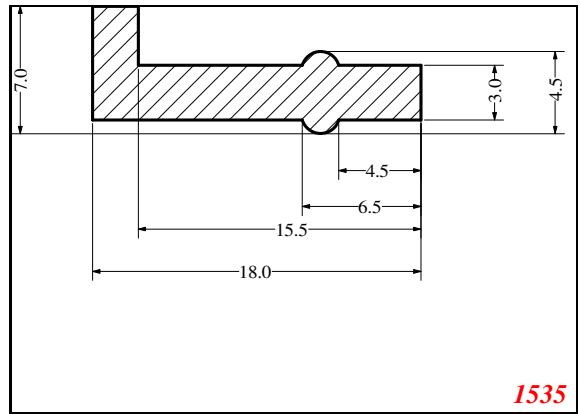
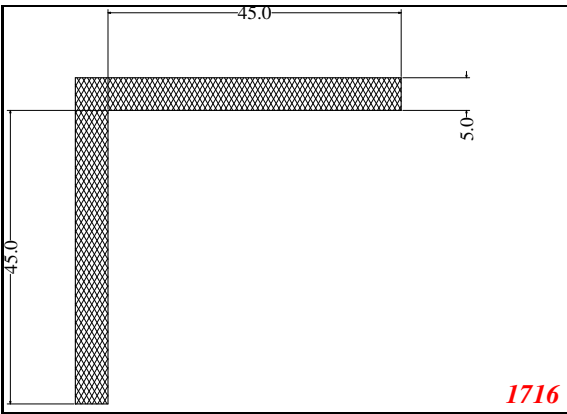
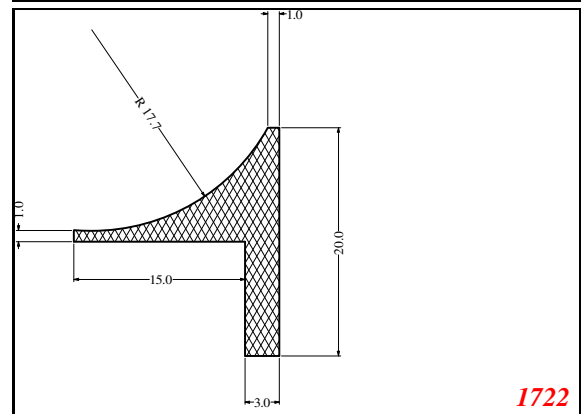
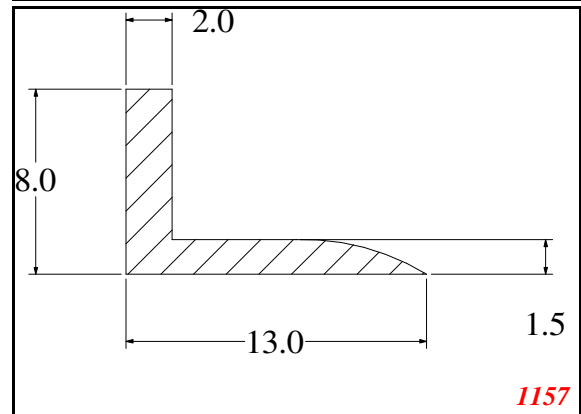
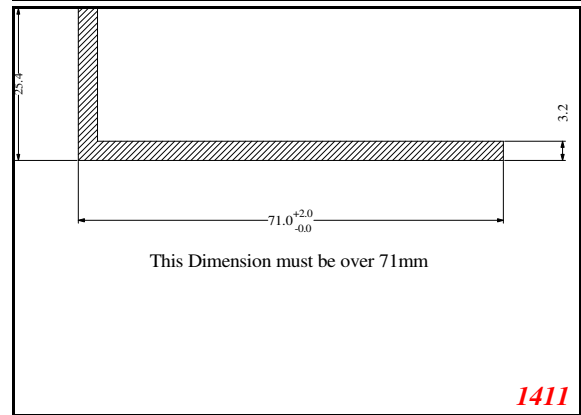
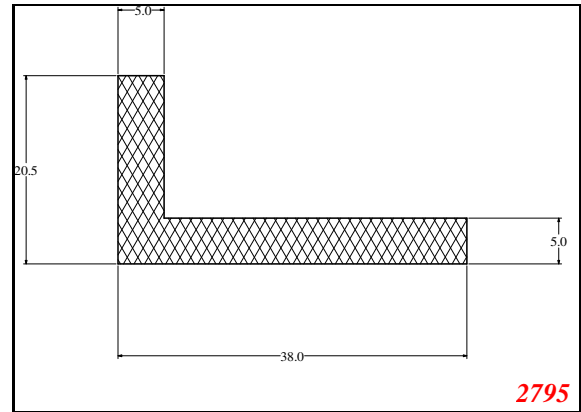
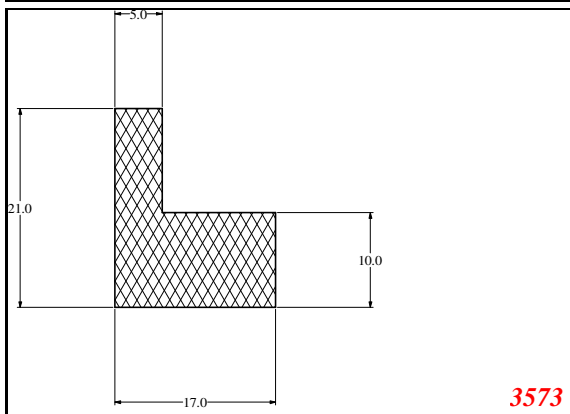
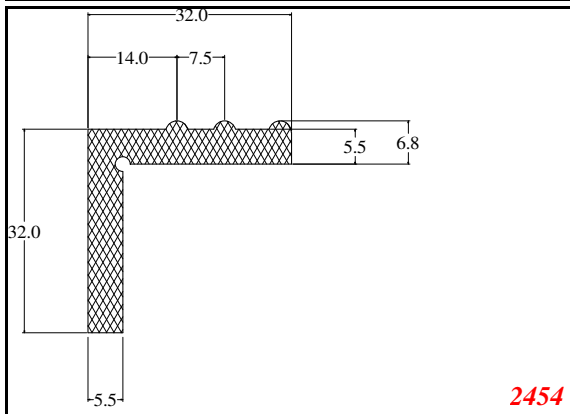
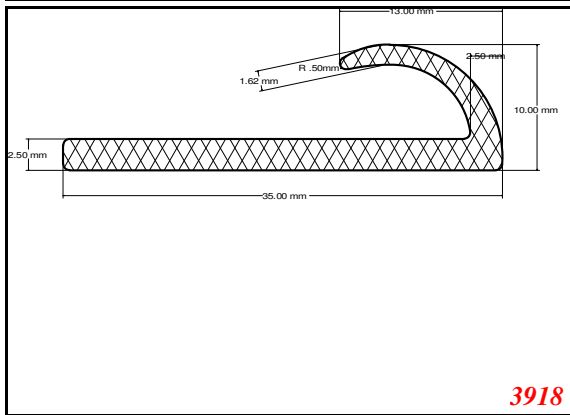
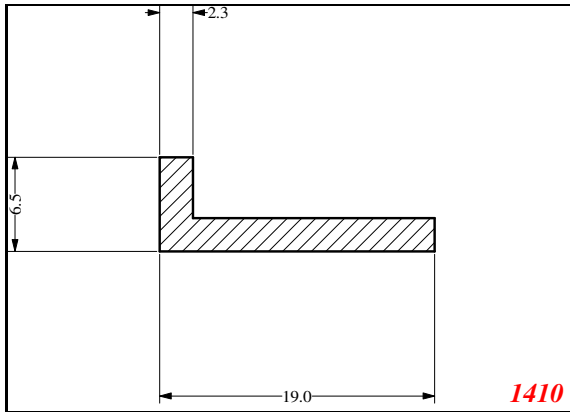


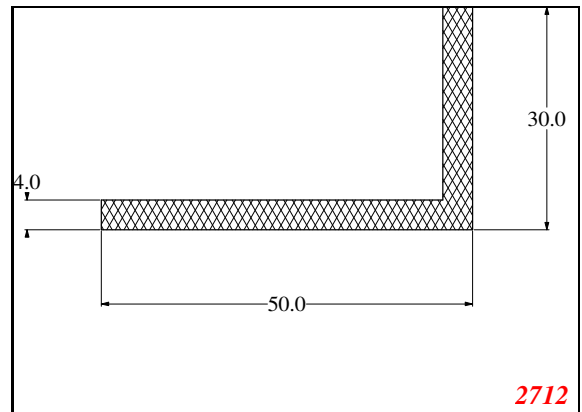
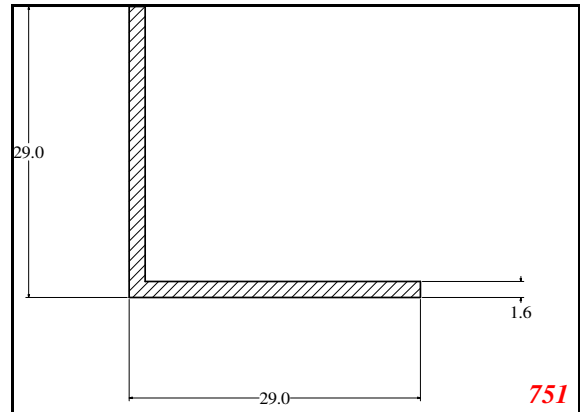
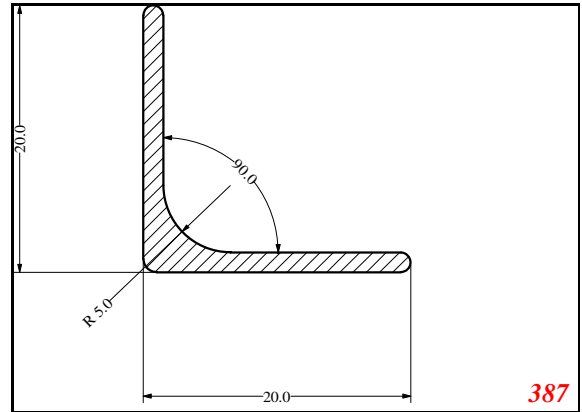
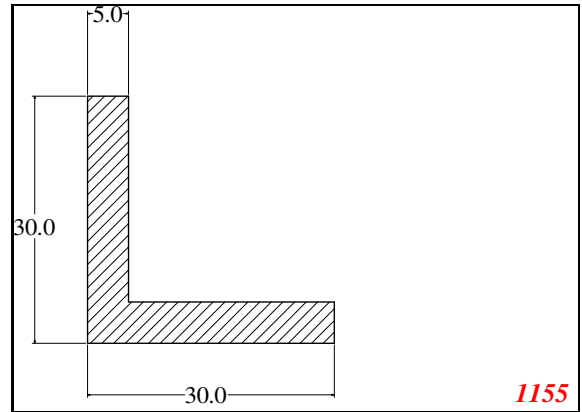
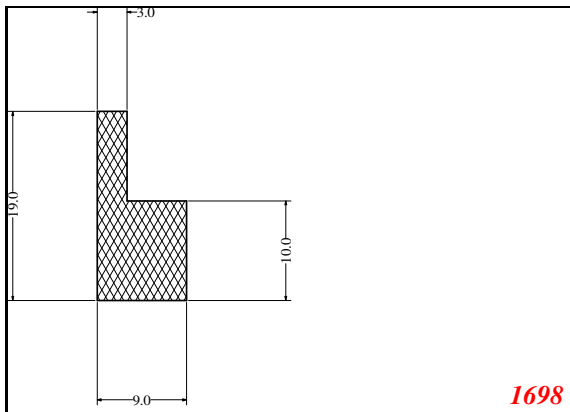
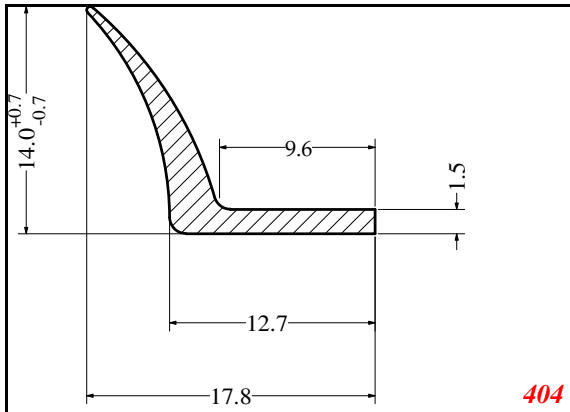
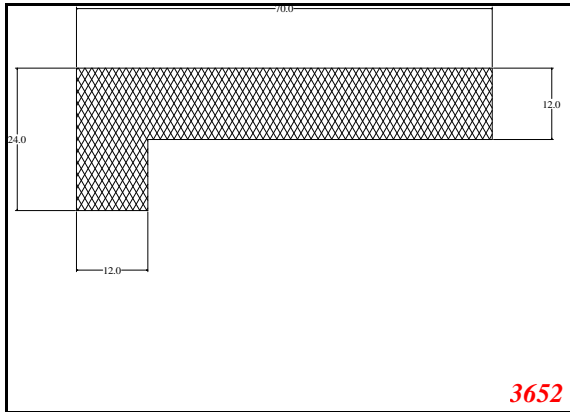
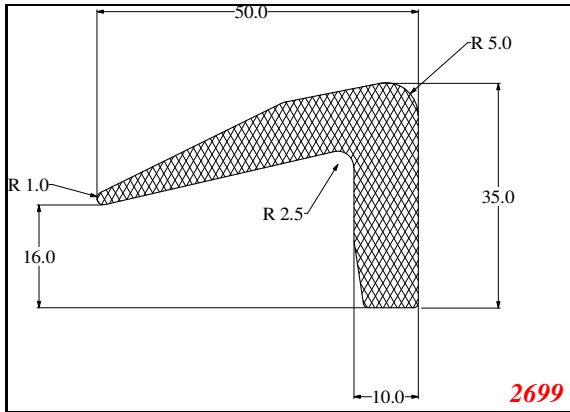
L-Section



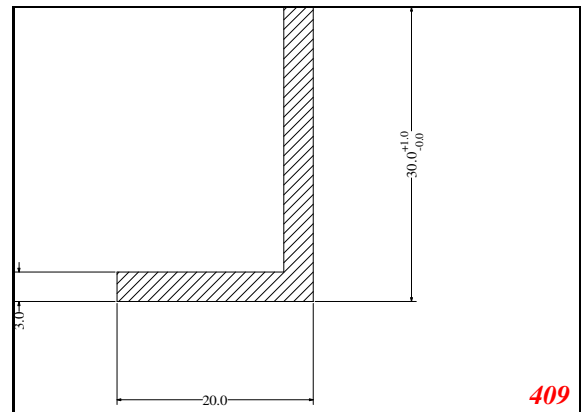
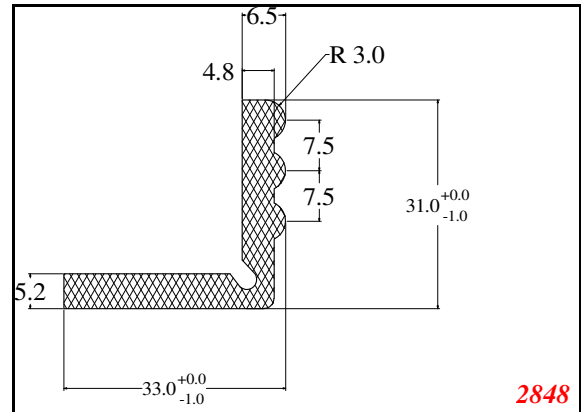
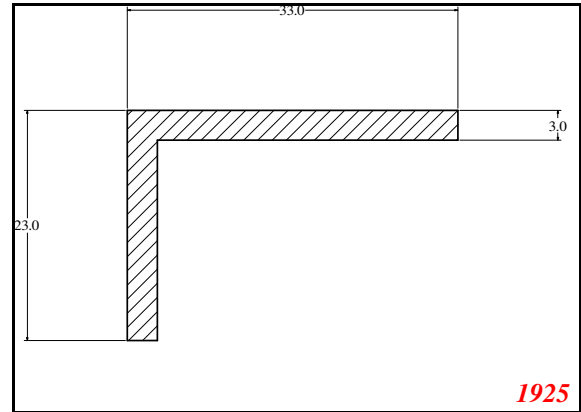
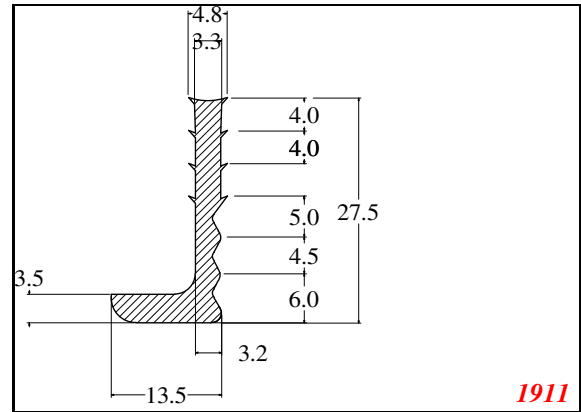
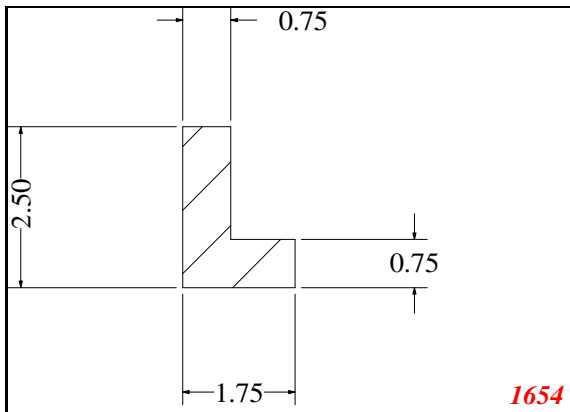
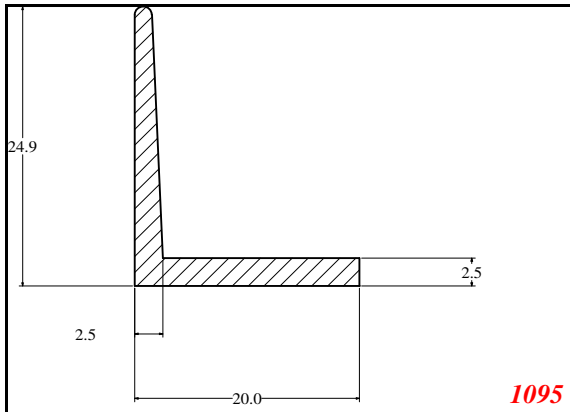
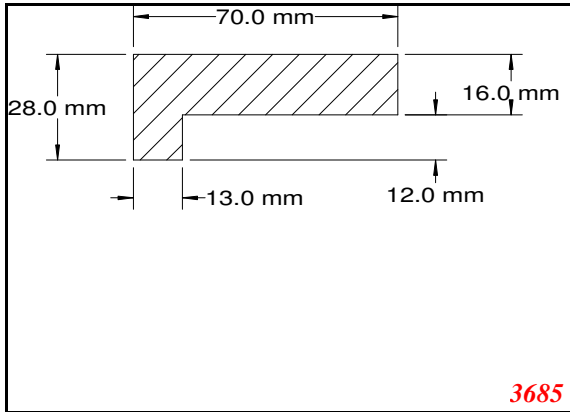
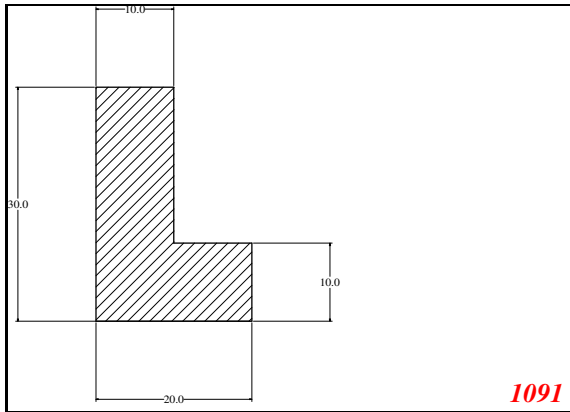
L-Section



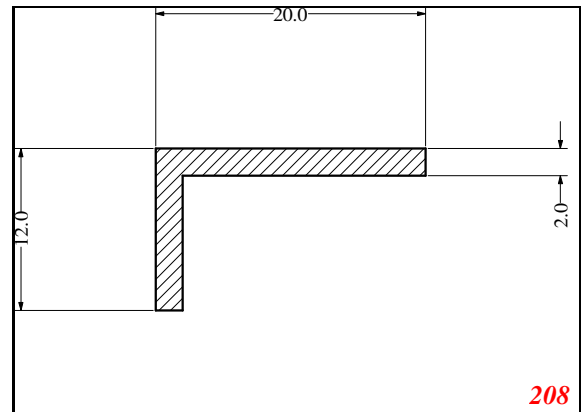
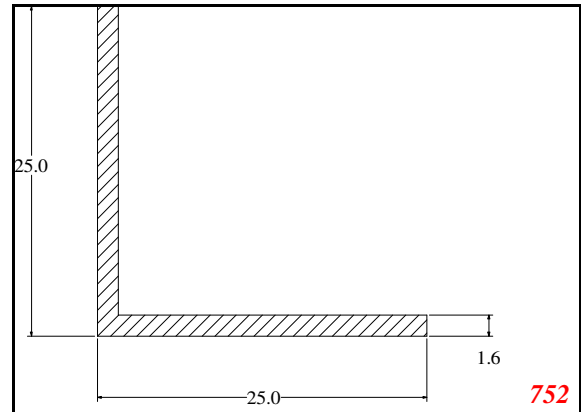
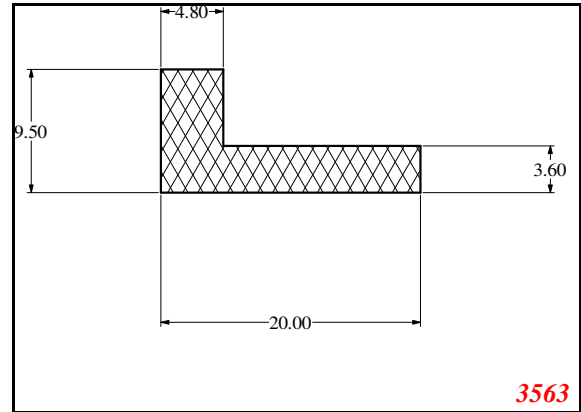
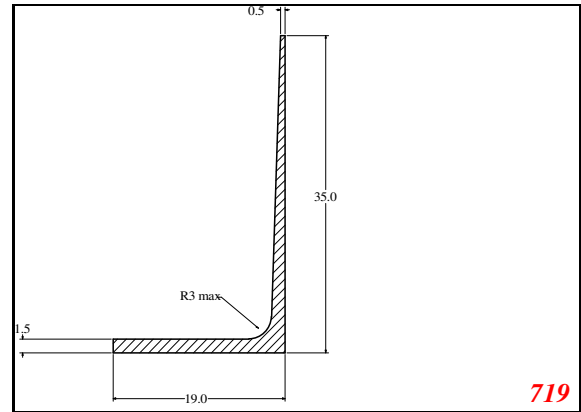
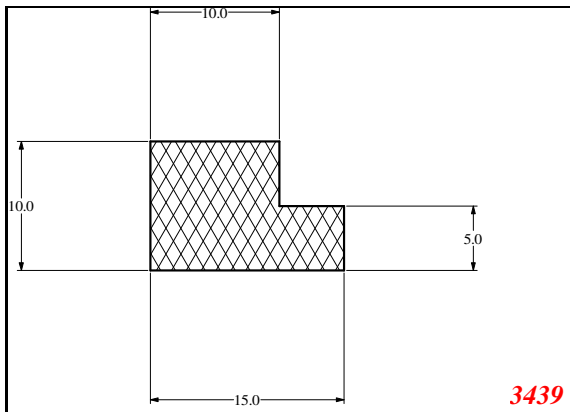
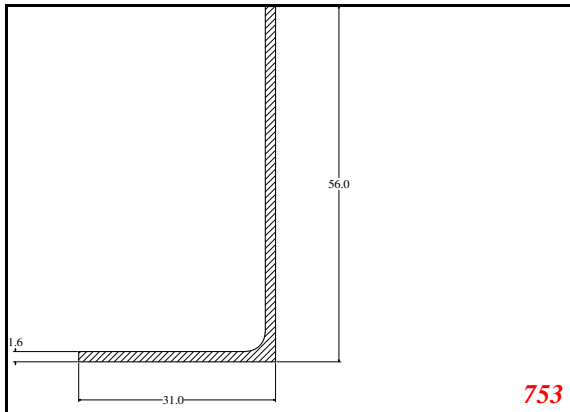
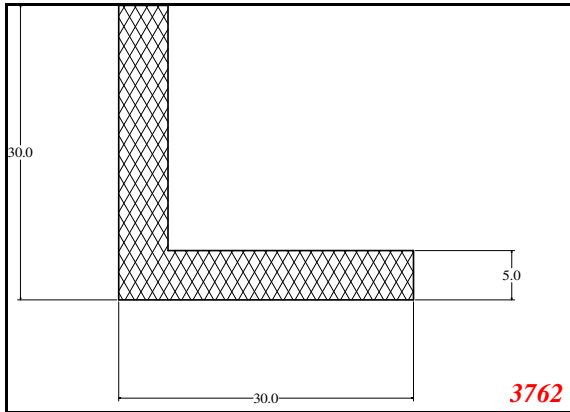
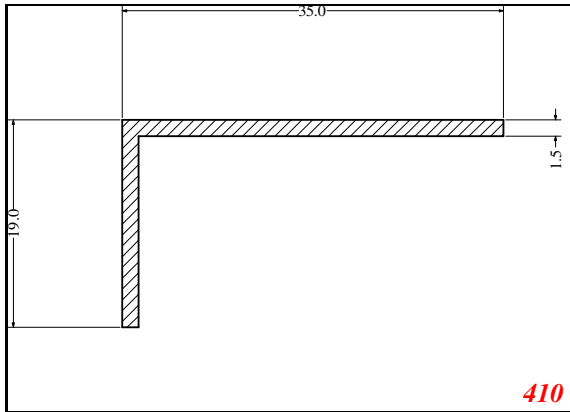
L-Section



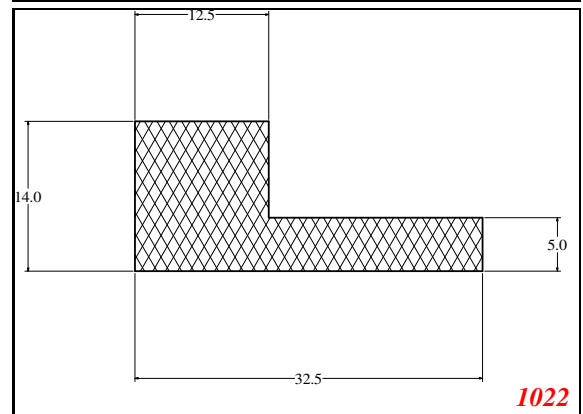
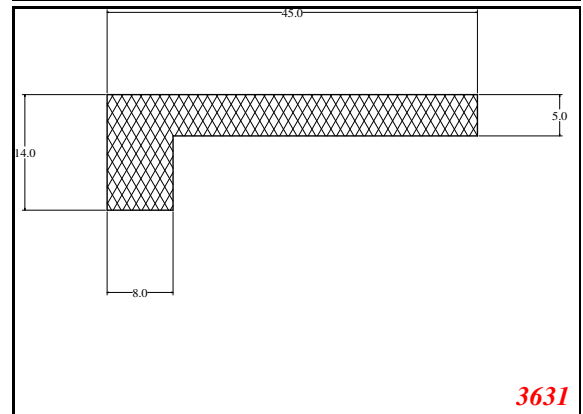
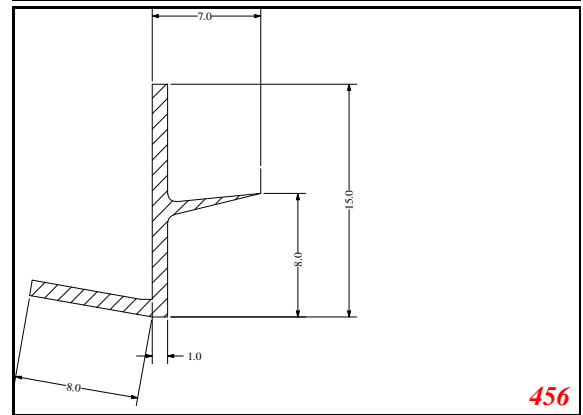
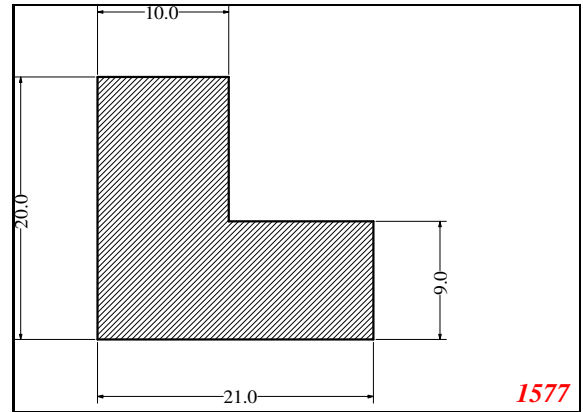
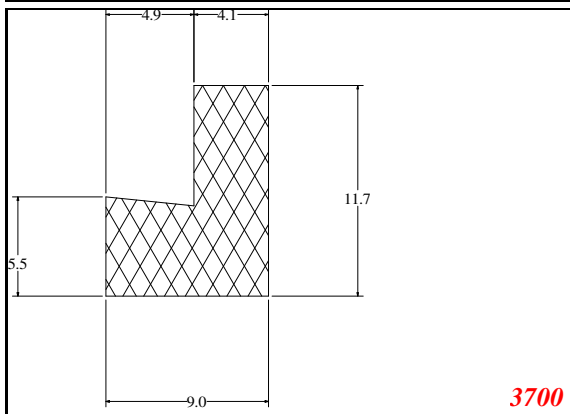
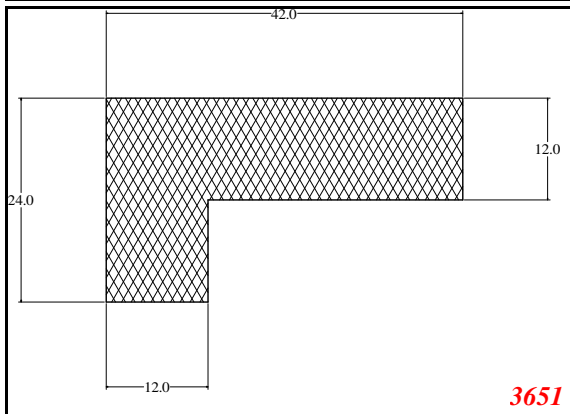
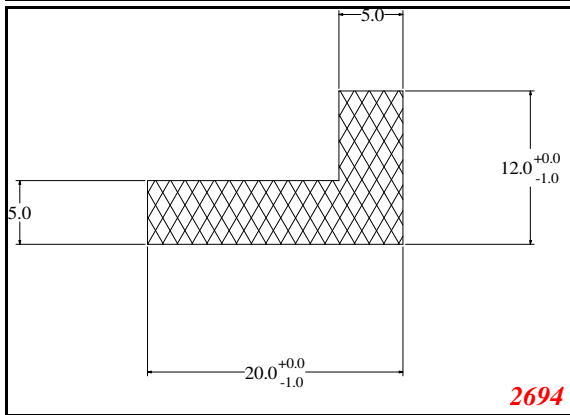
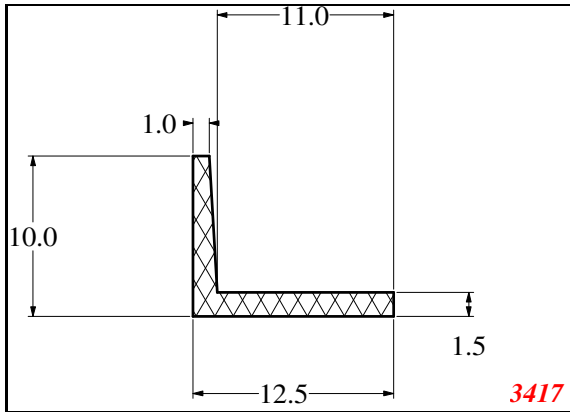
L-Section



L-Section



L-Section



L-Section

