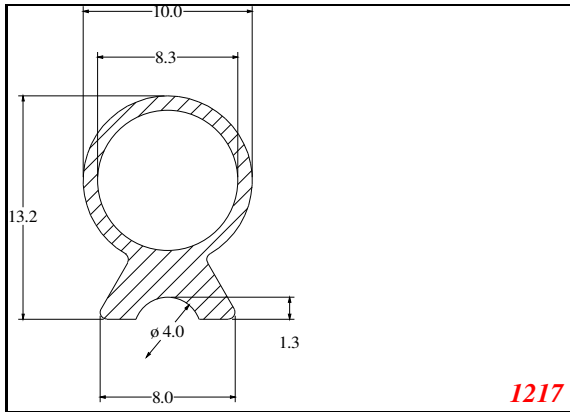
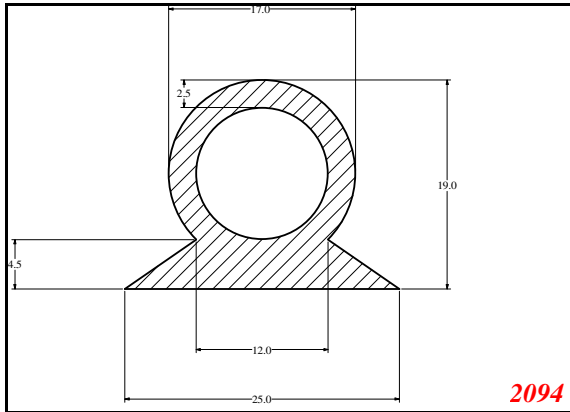


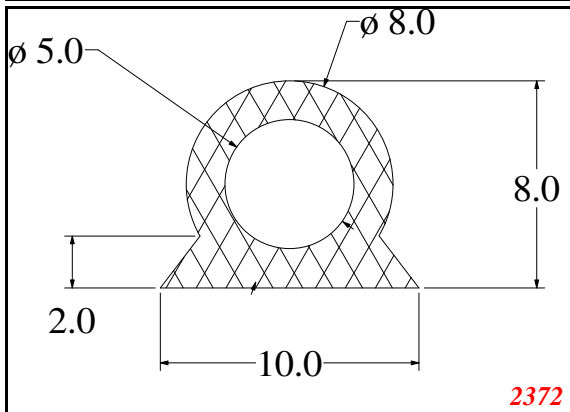
Key-Hole



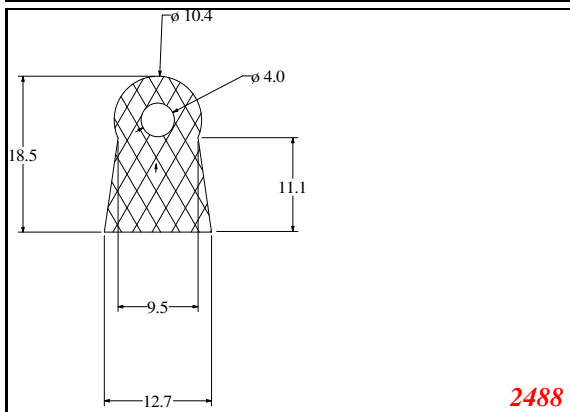
1217



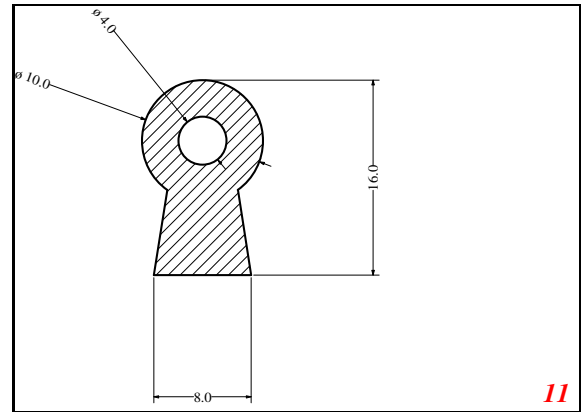
2094



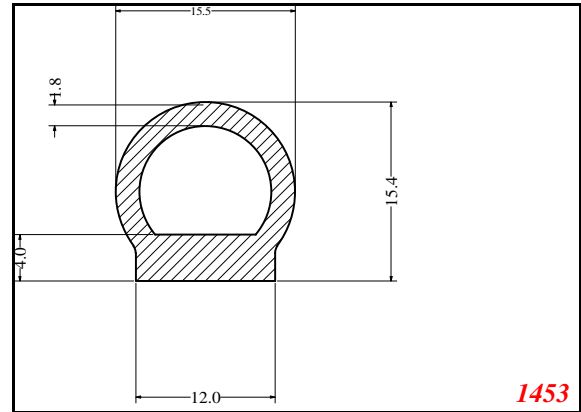
2372



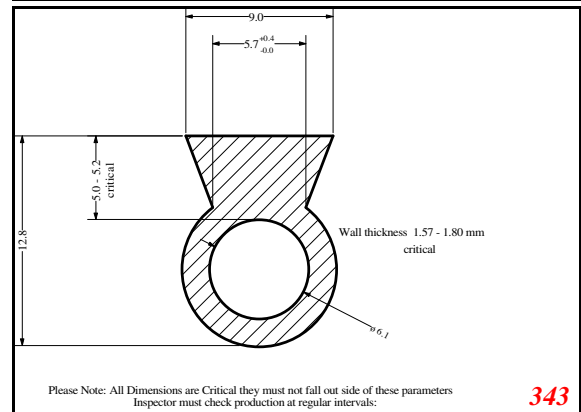
2488



11

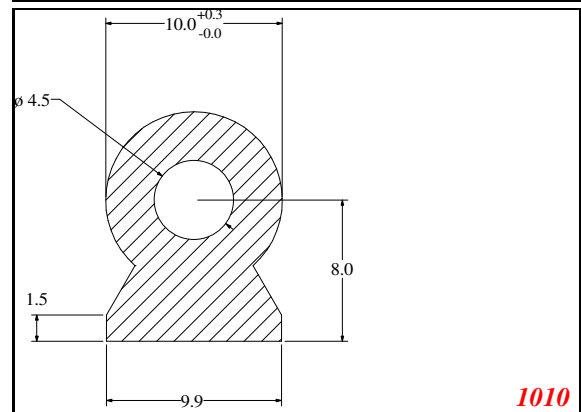


1453



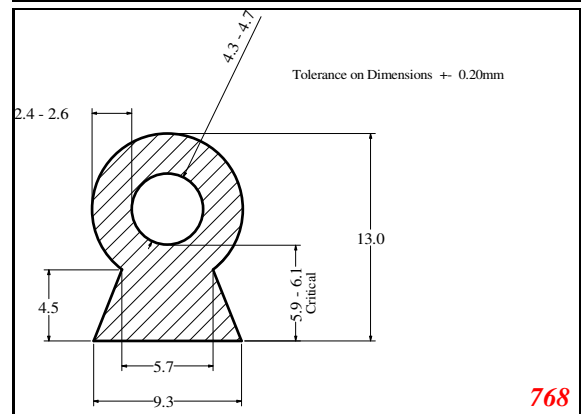
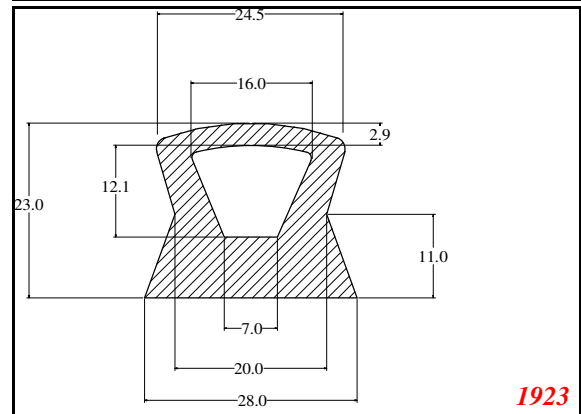
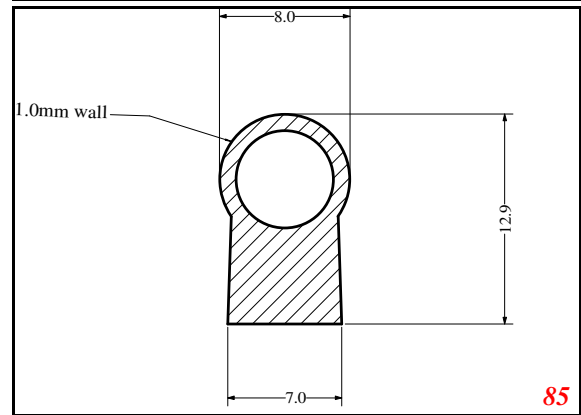
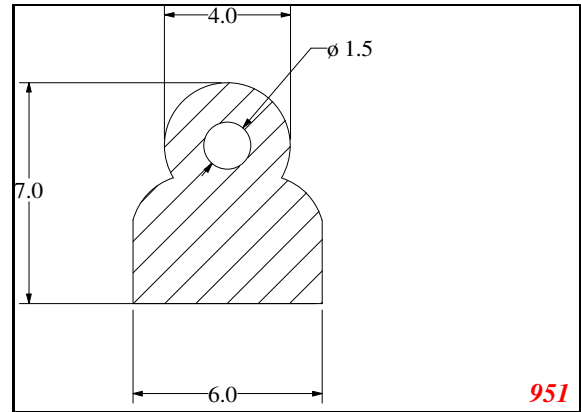
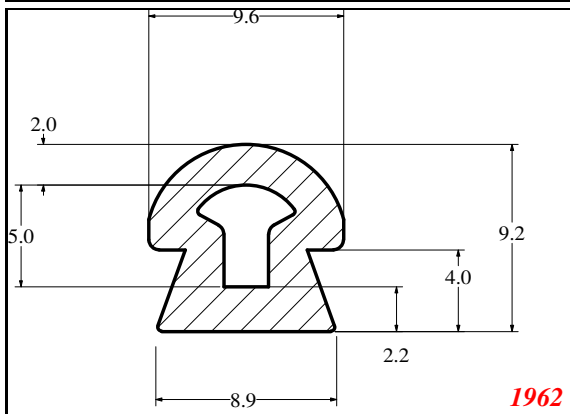
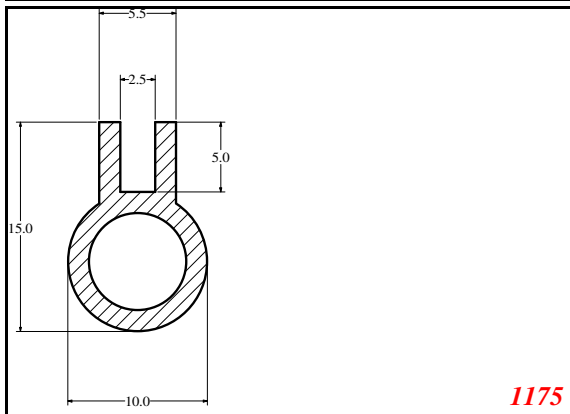
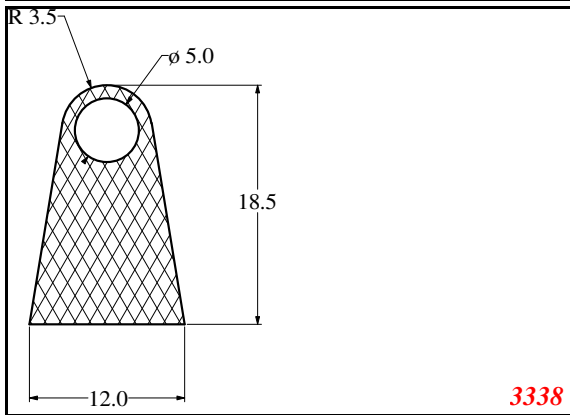
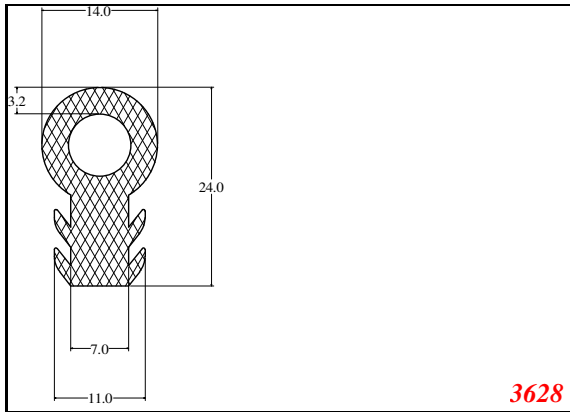
Please Note: All Dimensions are Critical they must not fall out side of these parameters
Inspector must check production at regular intervals:

343

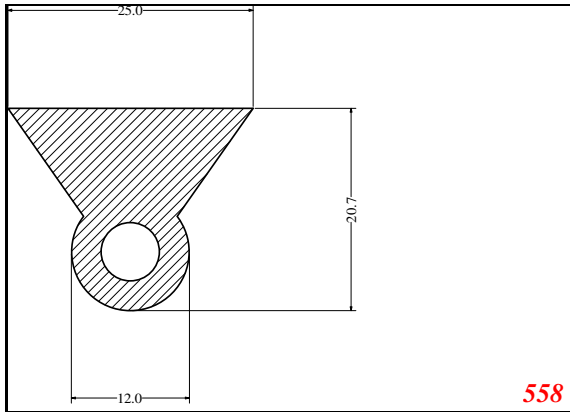


1010

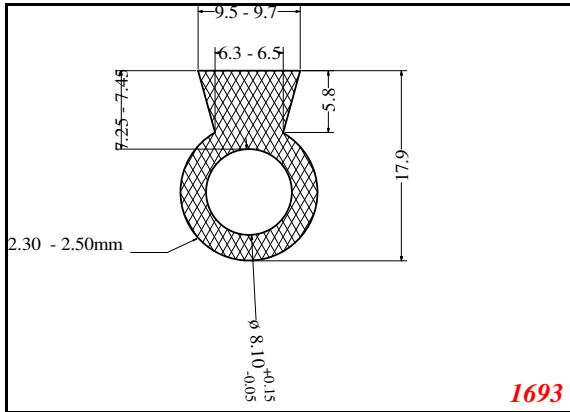
Key-Hole



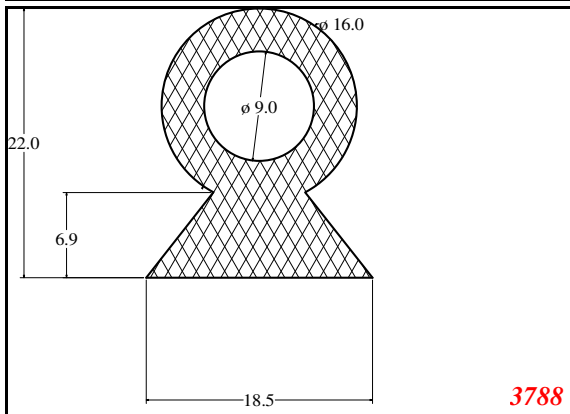
Key-Hole



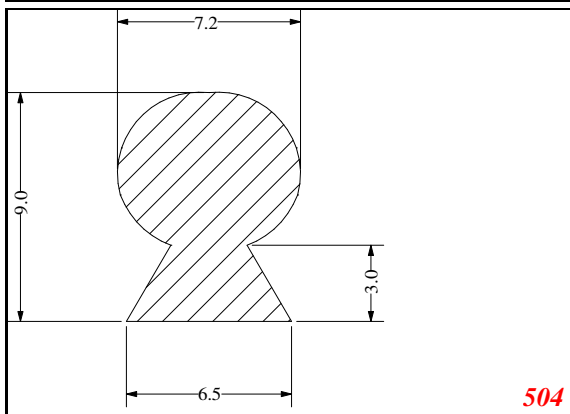
558



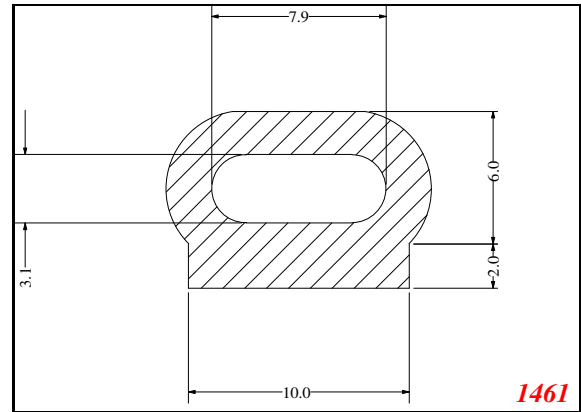
1693



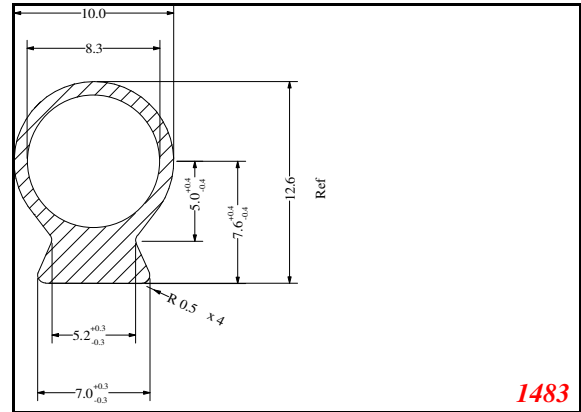
3788



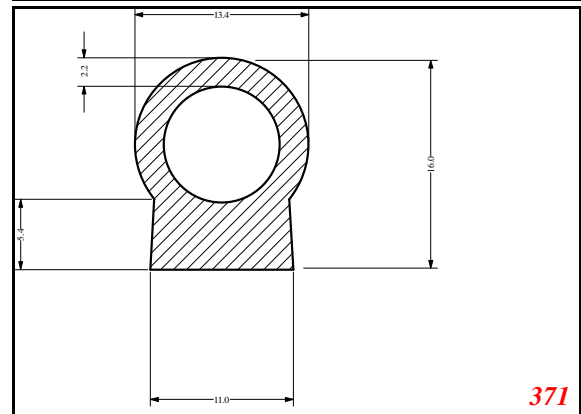
504



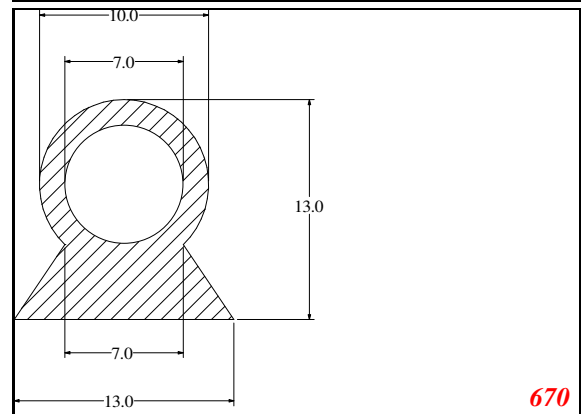
1461



1483

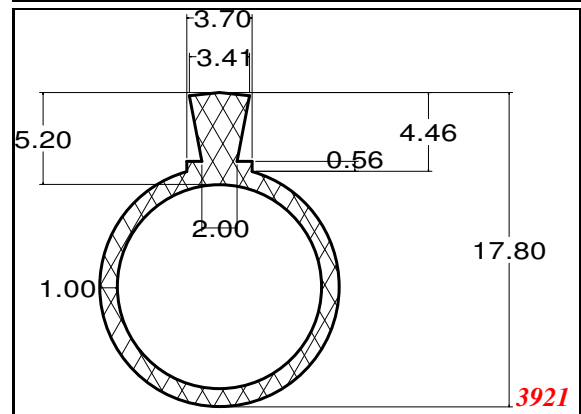
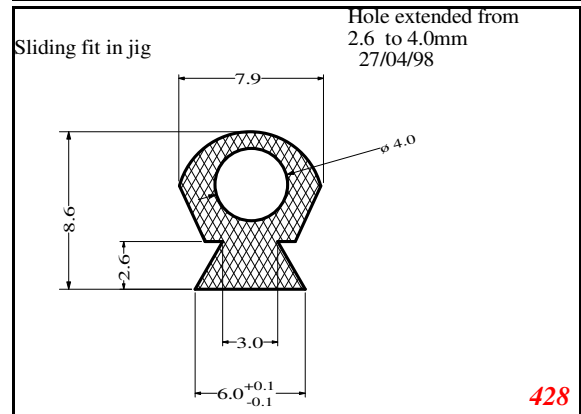
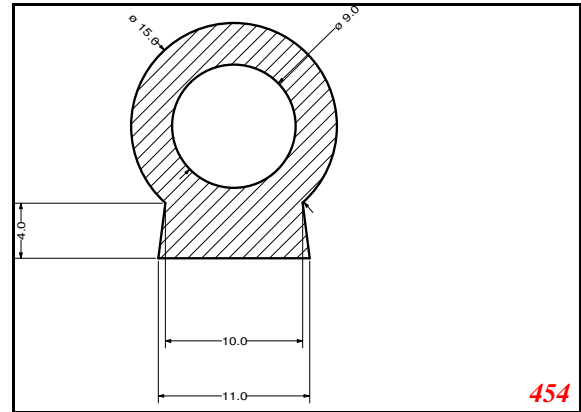
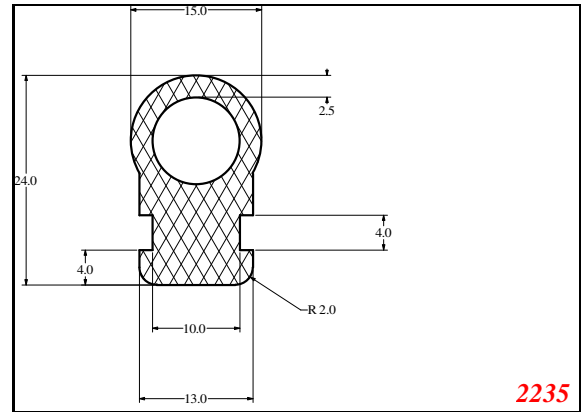
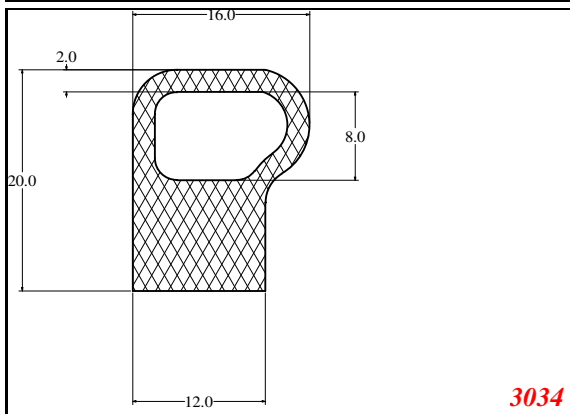
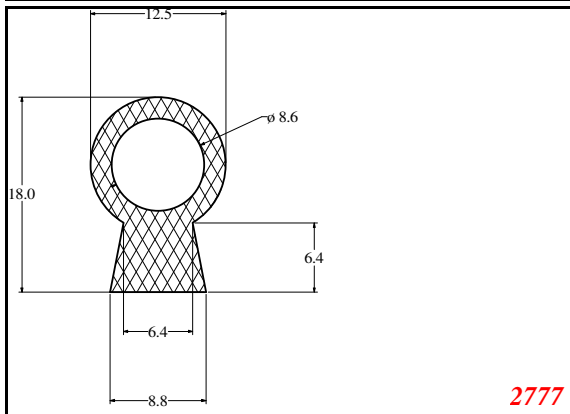
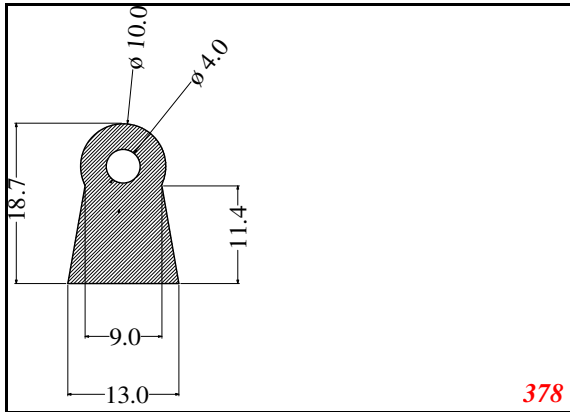
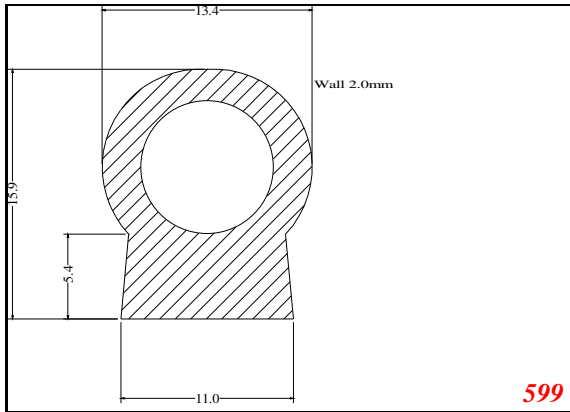


371

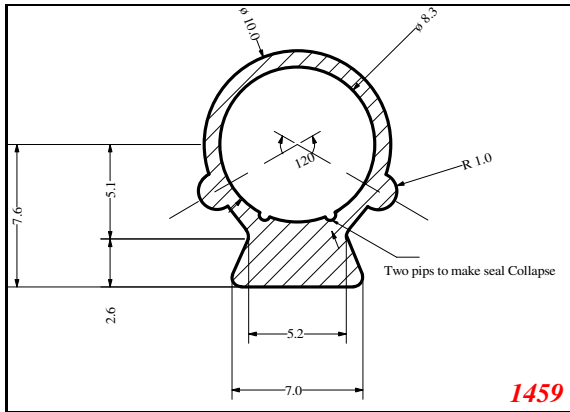


670

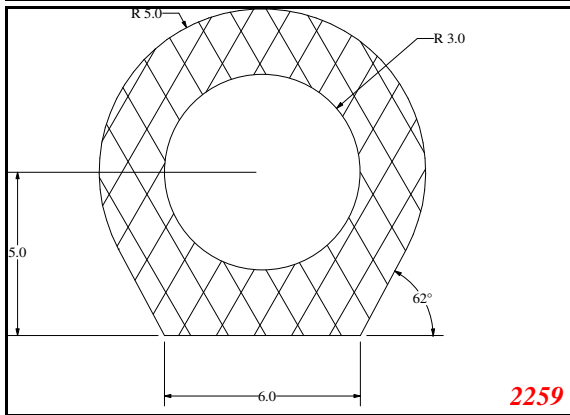
Key-Hole



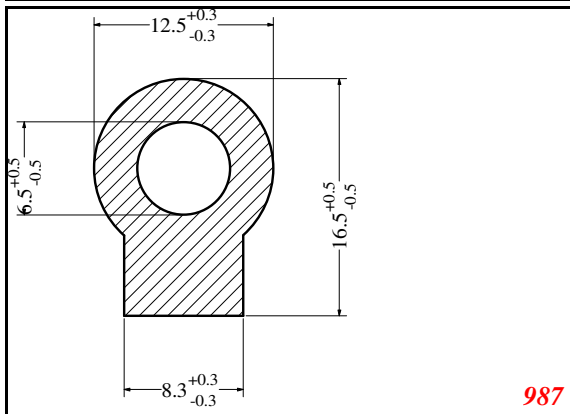
Key-Hole



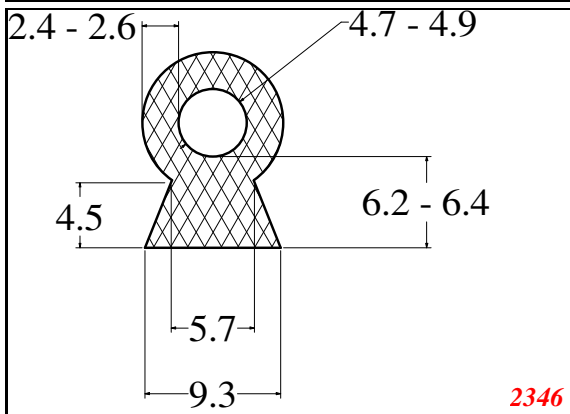
1459



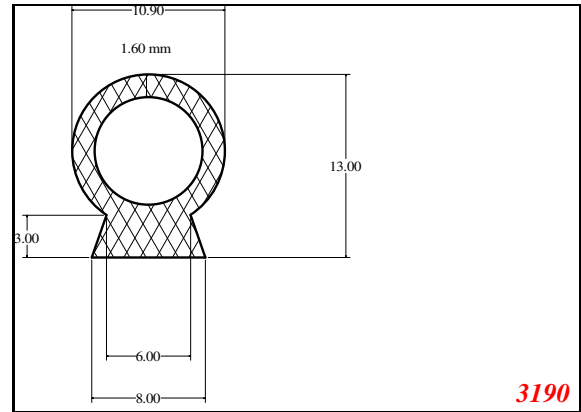
2259



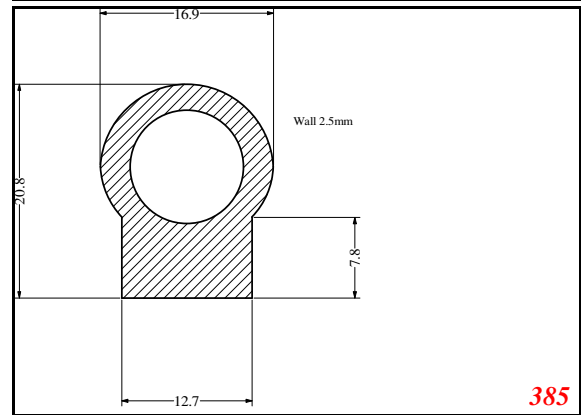
987



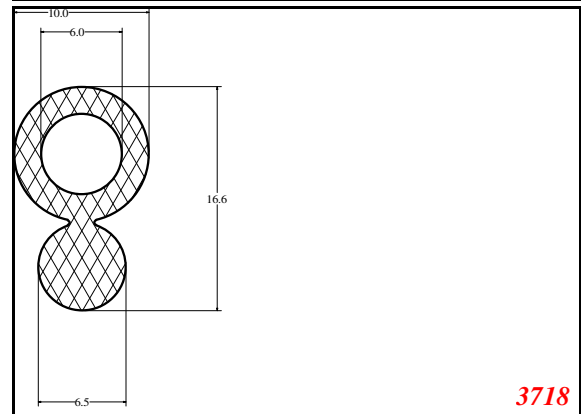
2346



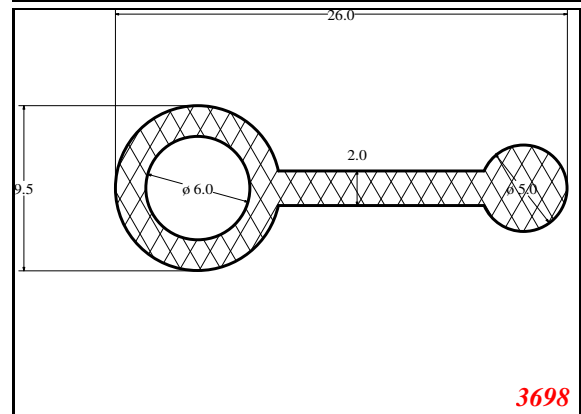
3190



385



3718



3698

Key-Hole

