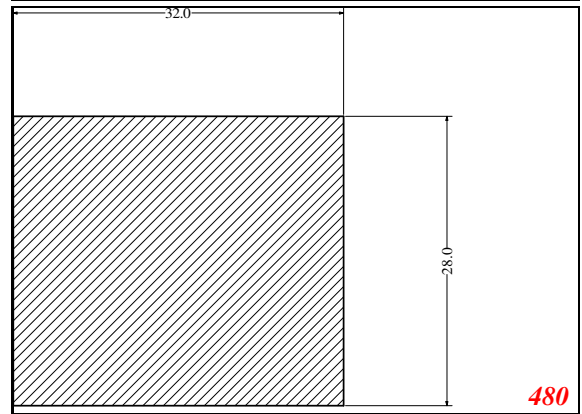
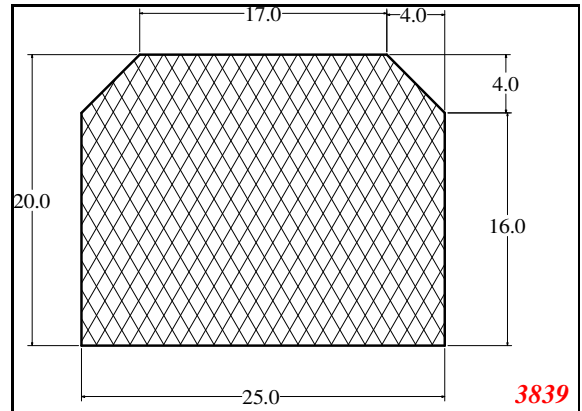
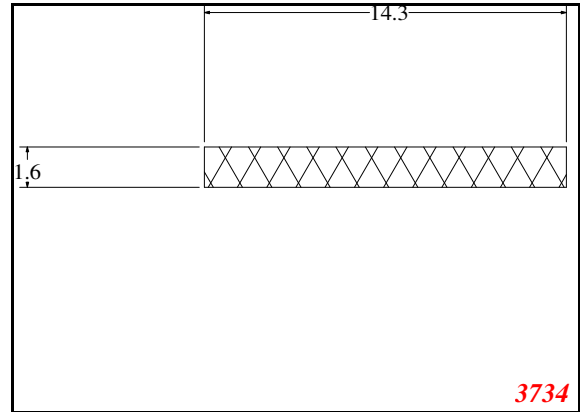
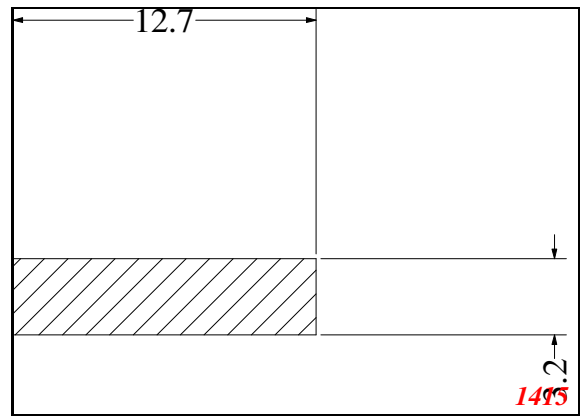
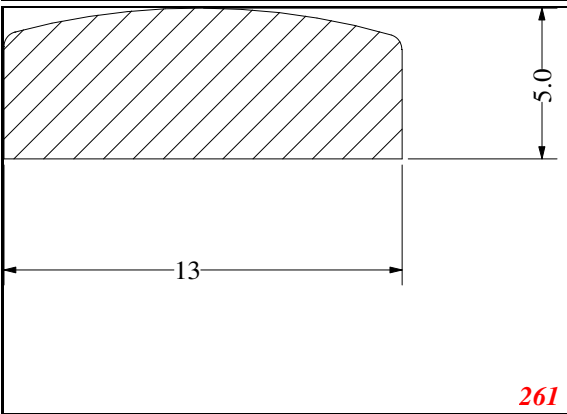
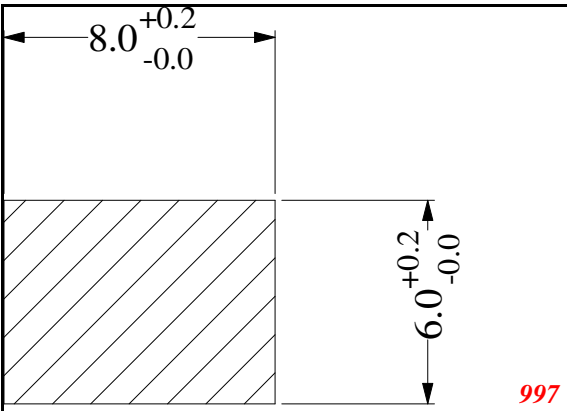
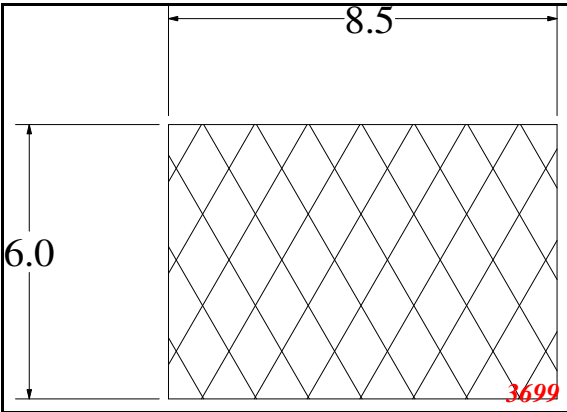
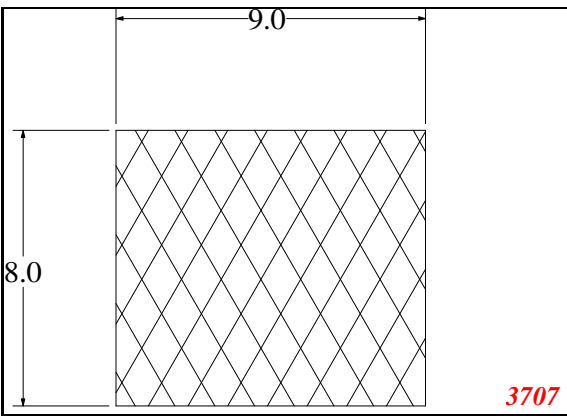
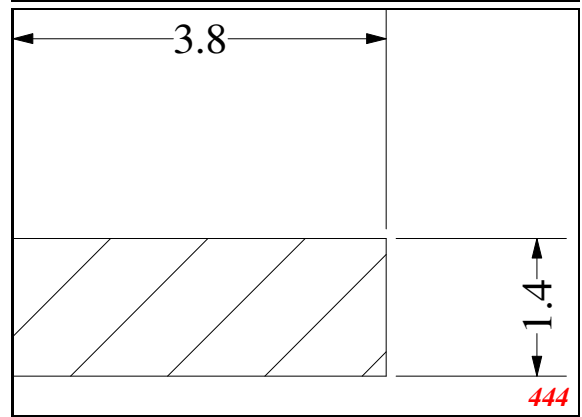
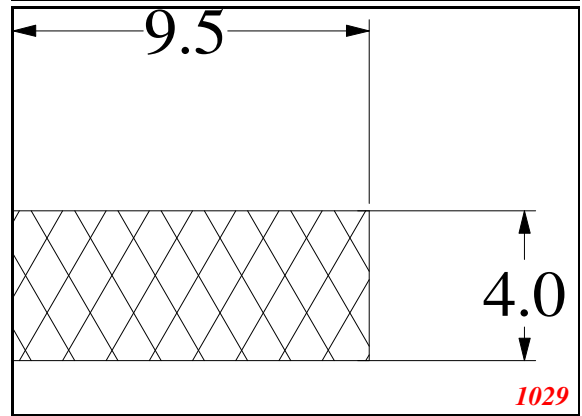
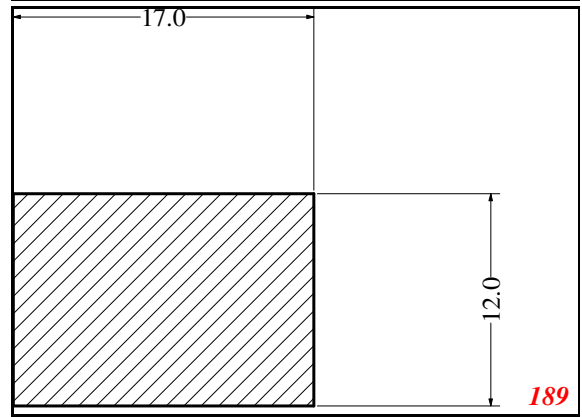
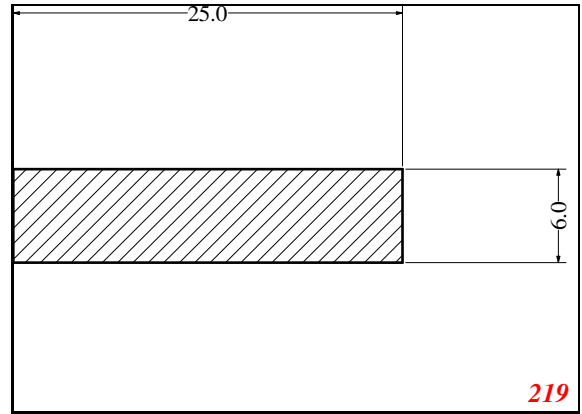
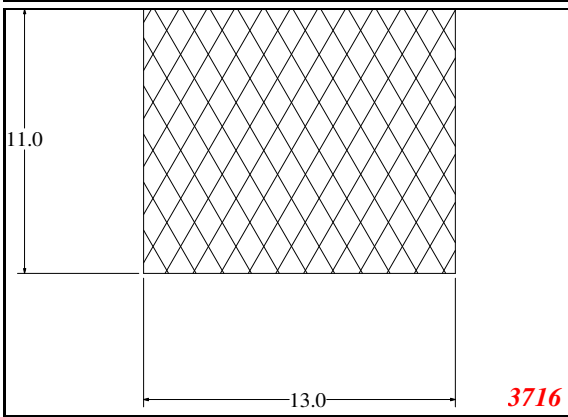
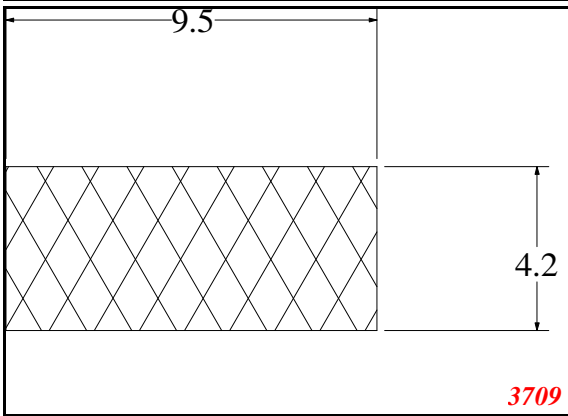
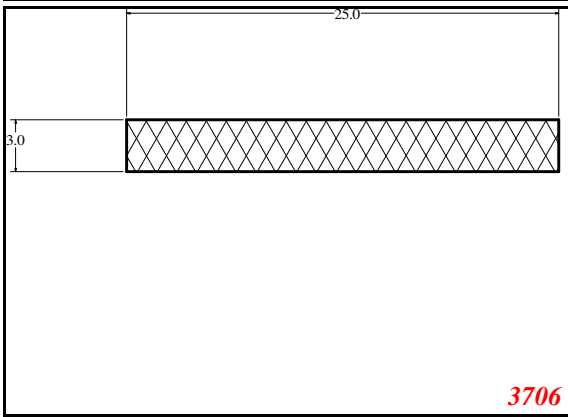
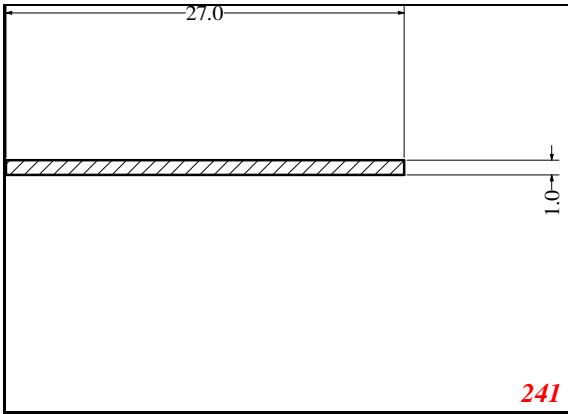


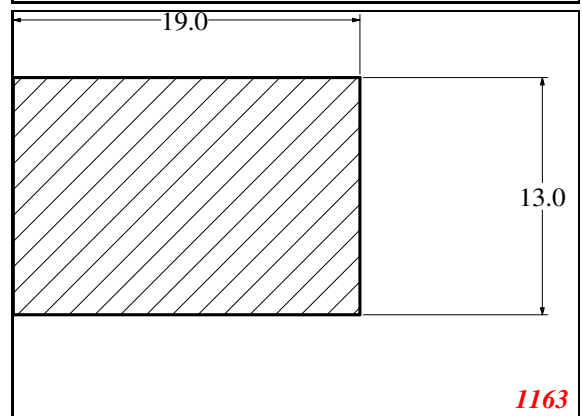
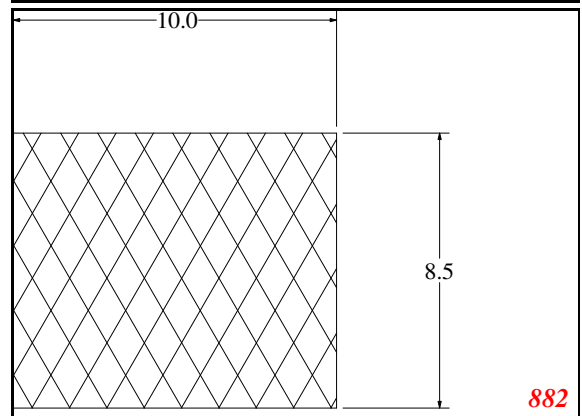
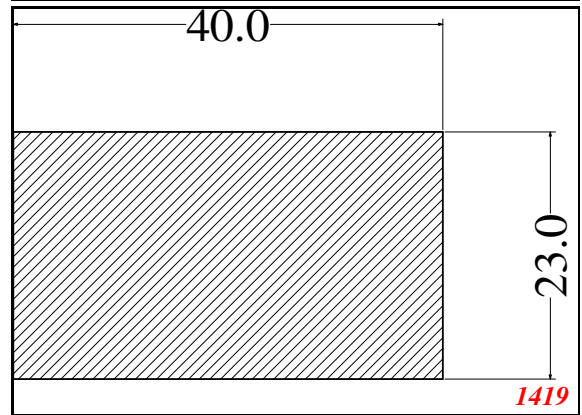
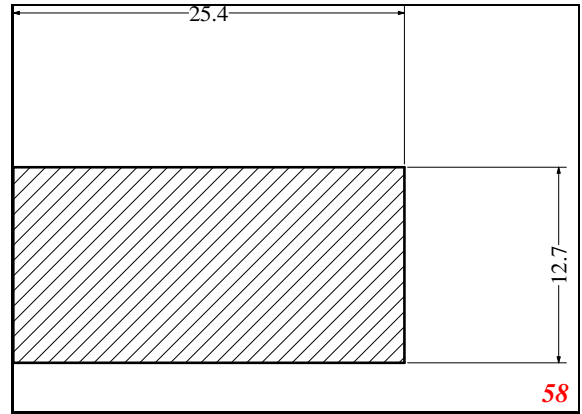
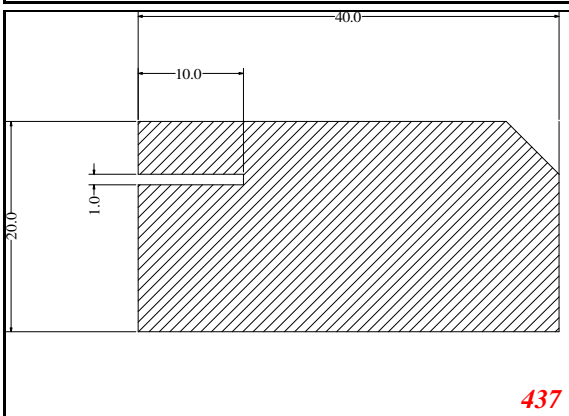
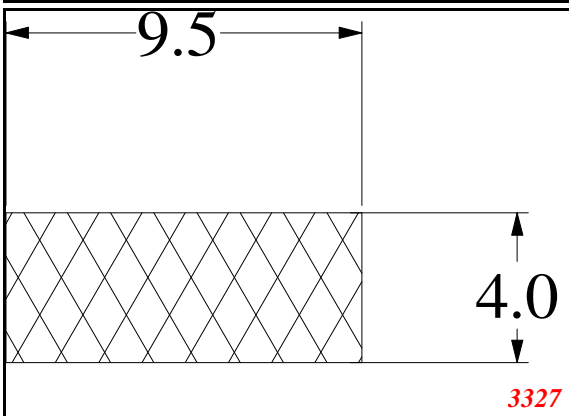
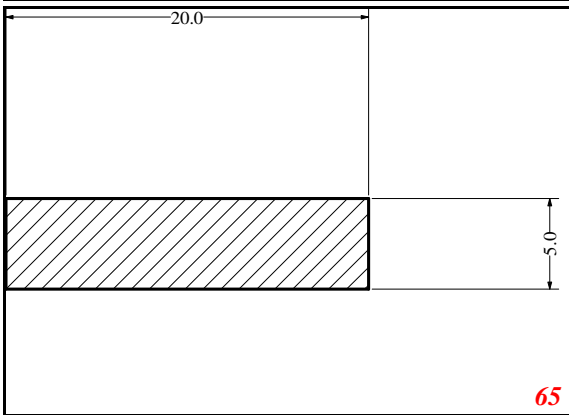
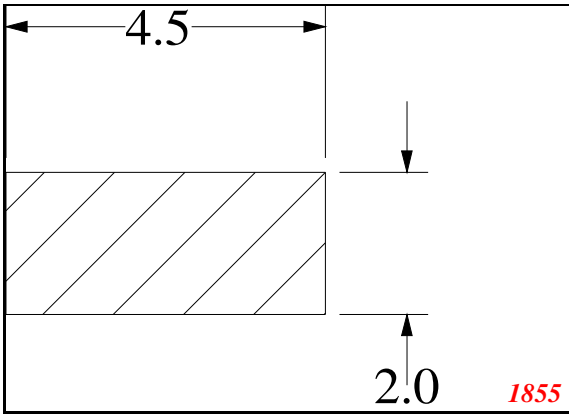
**Strip**



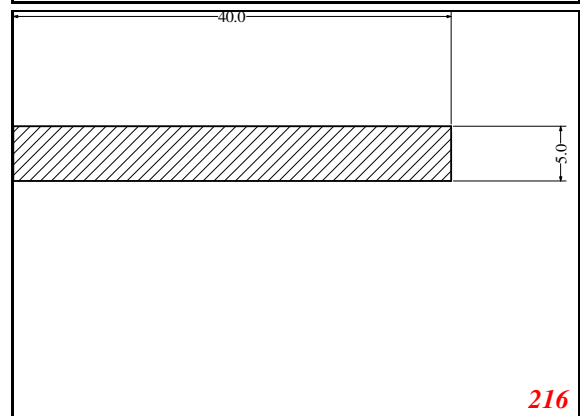
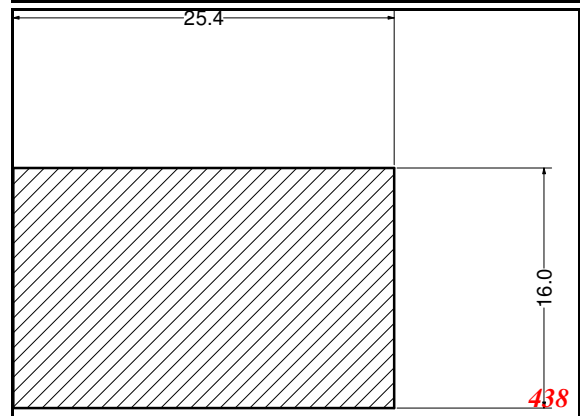
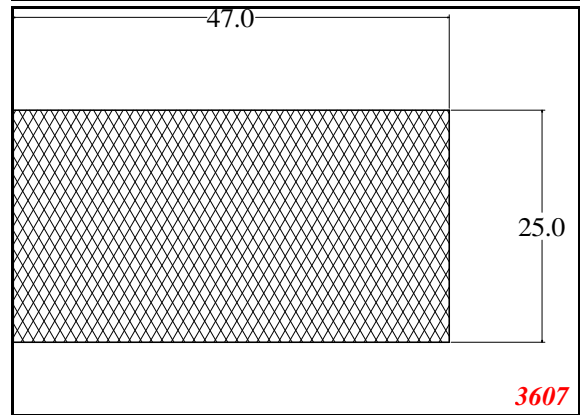
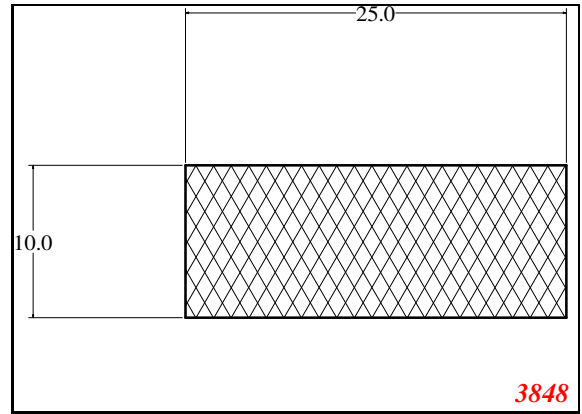
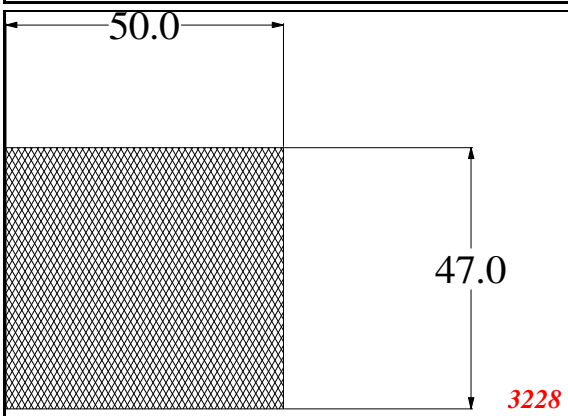
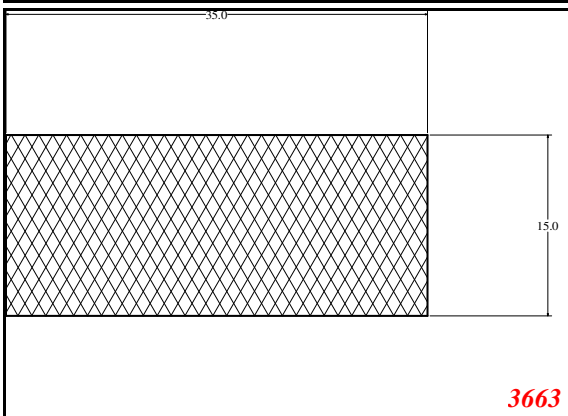
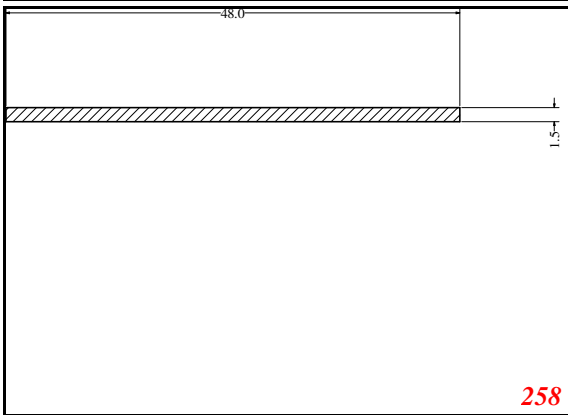
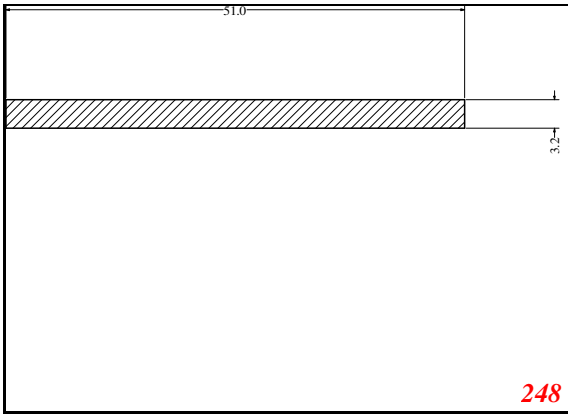
*Strip*



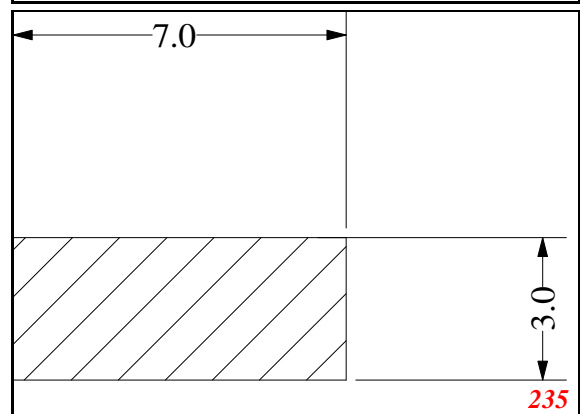
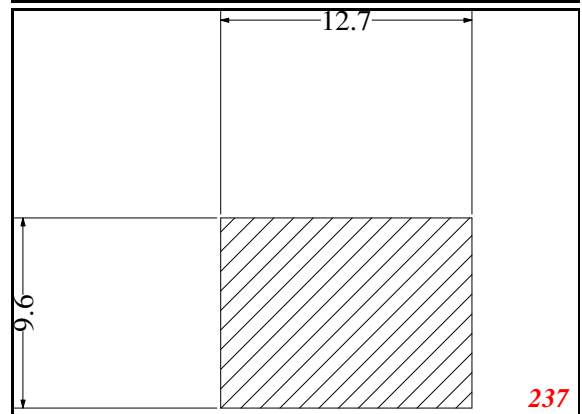
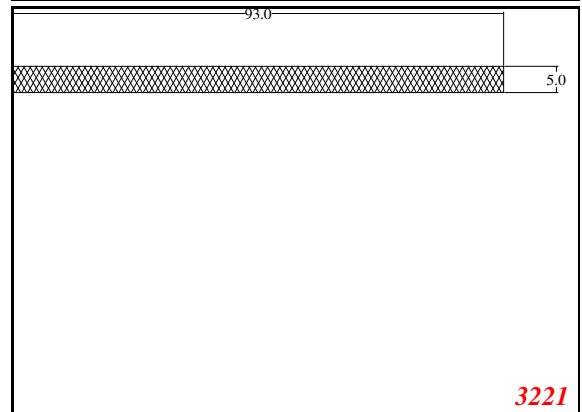
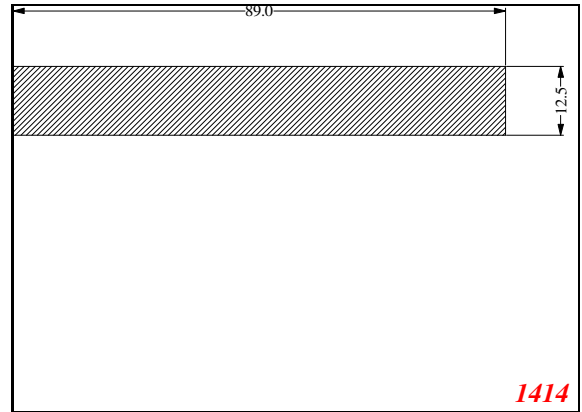
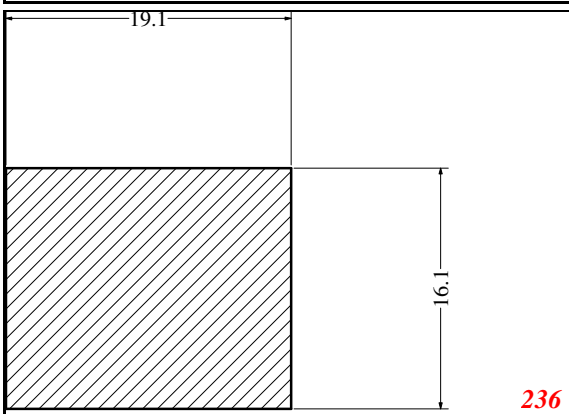
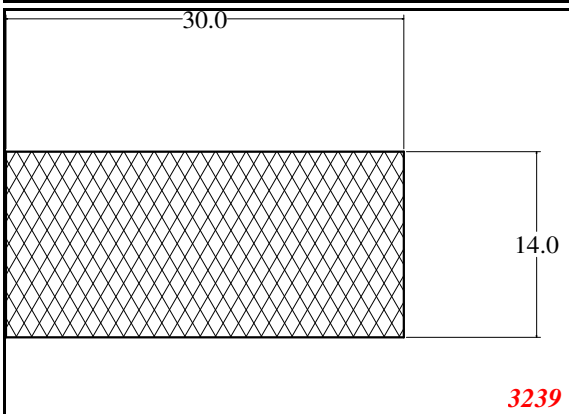
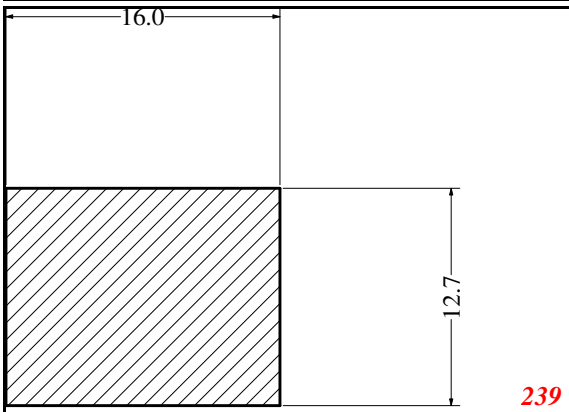
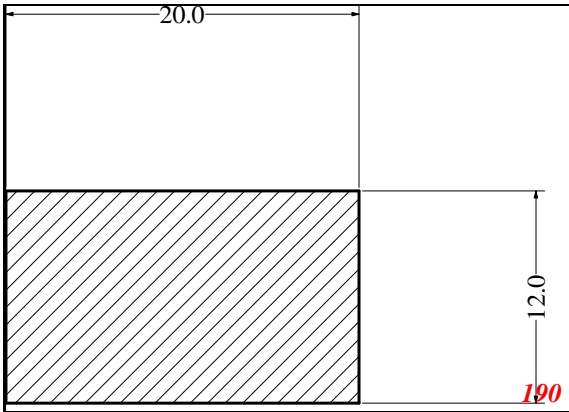
*Strip*



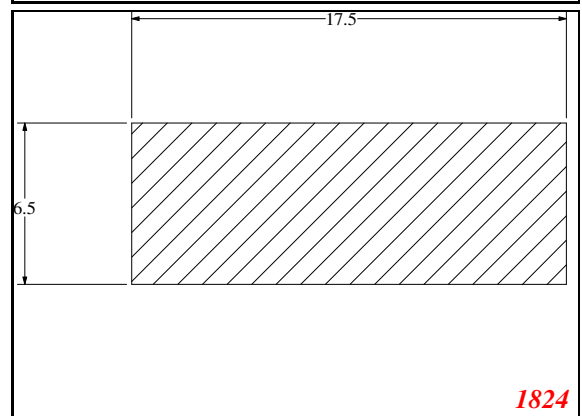
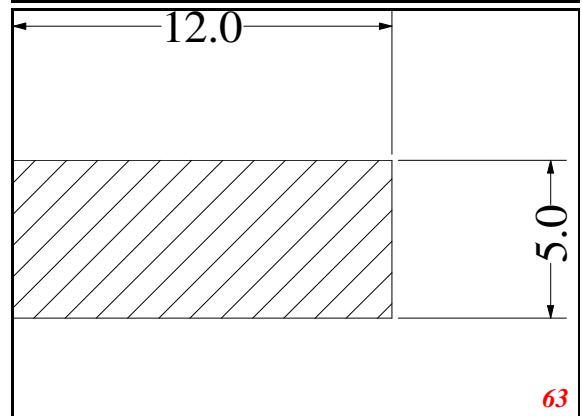
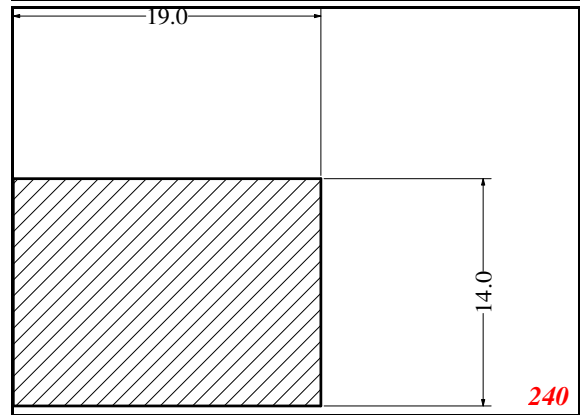
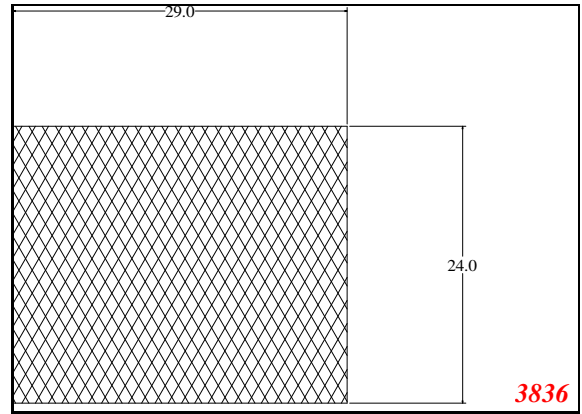
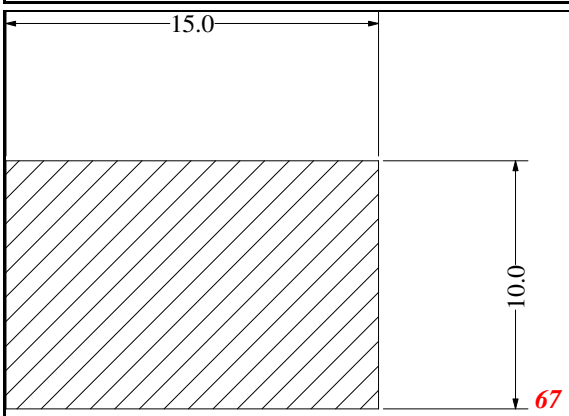
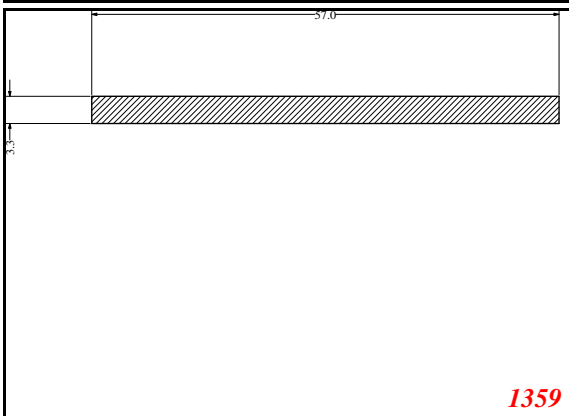
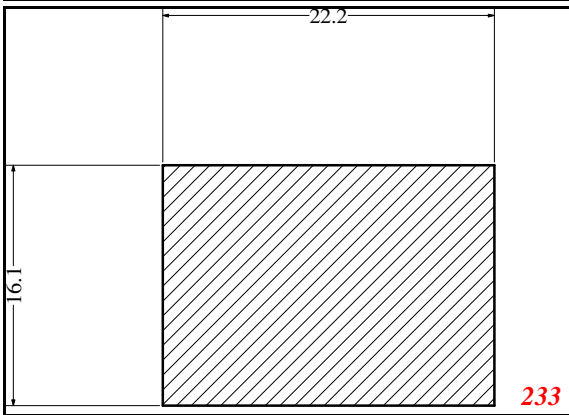
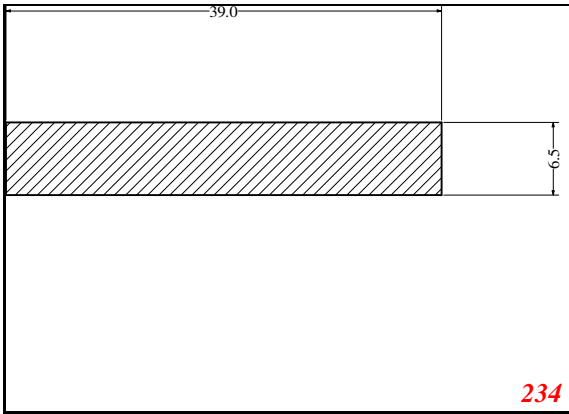
*Strip*



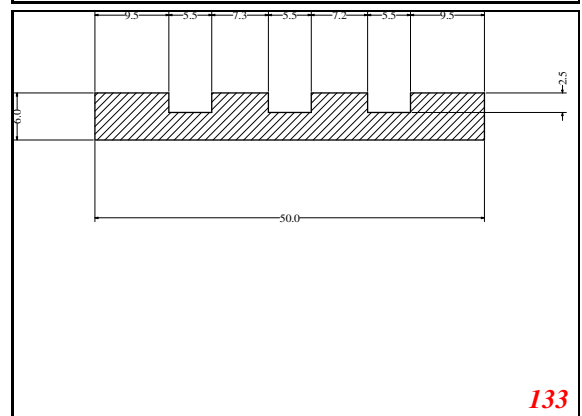
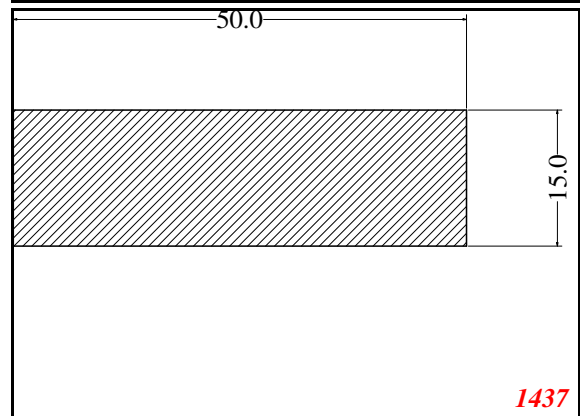
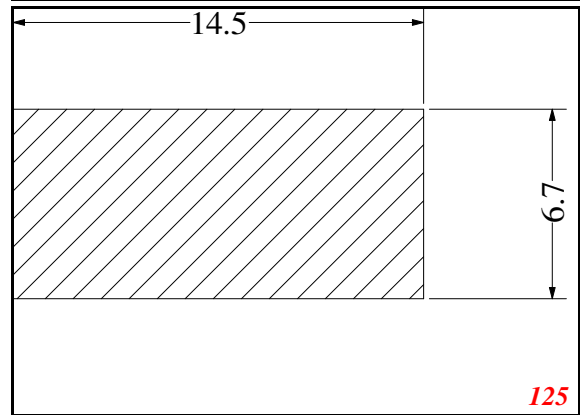
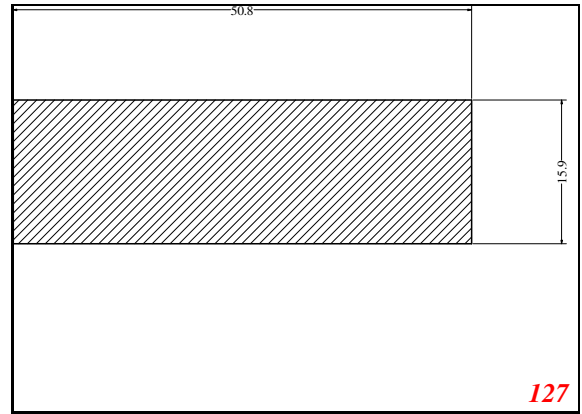
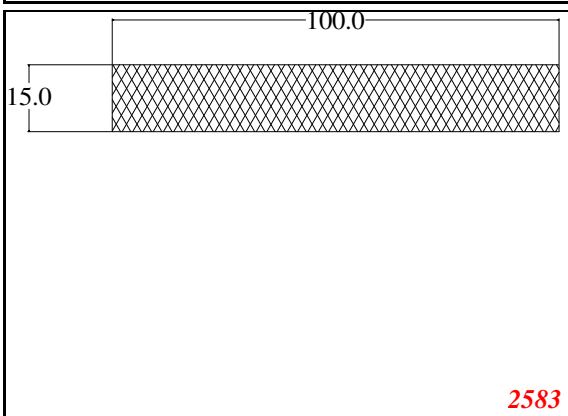
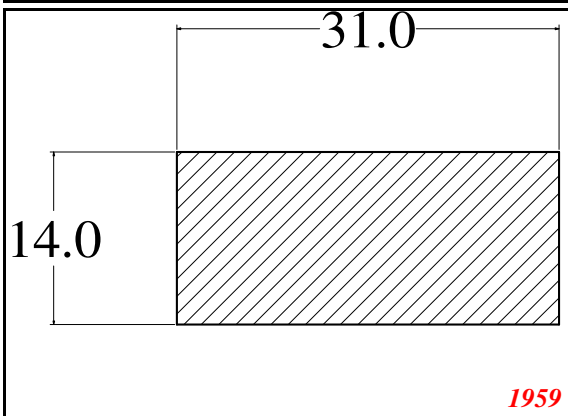
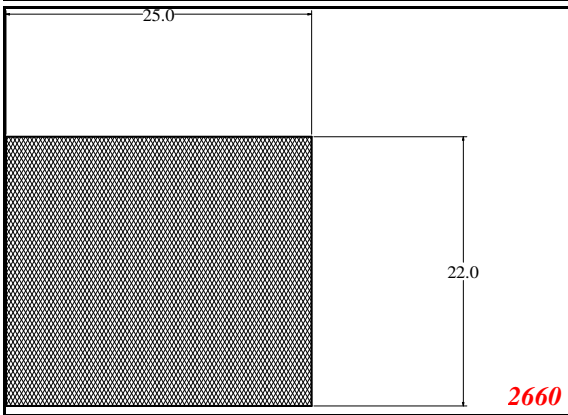
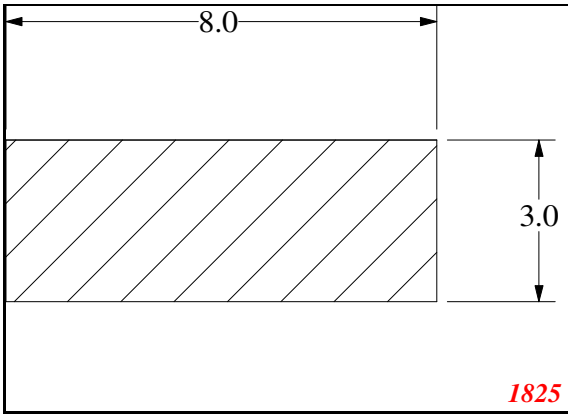
*Strip*



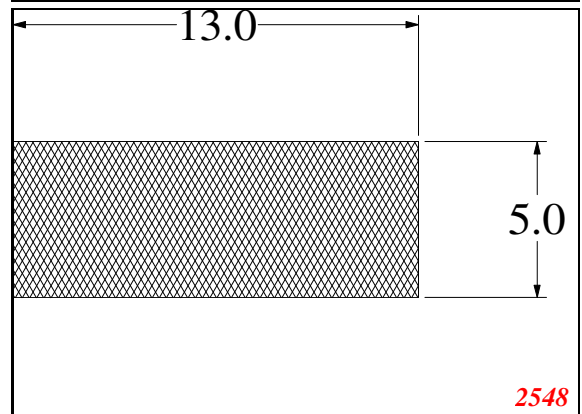
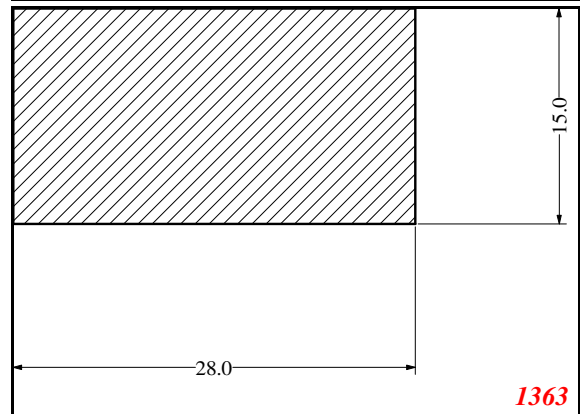
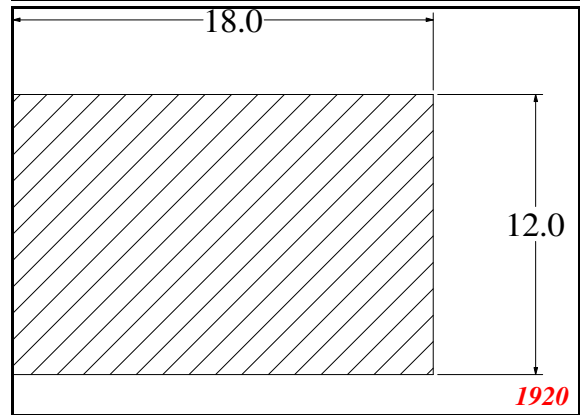
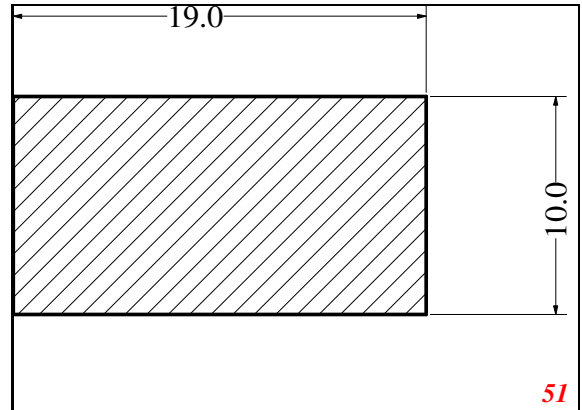
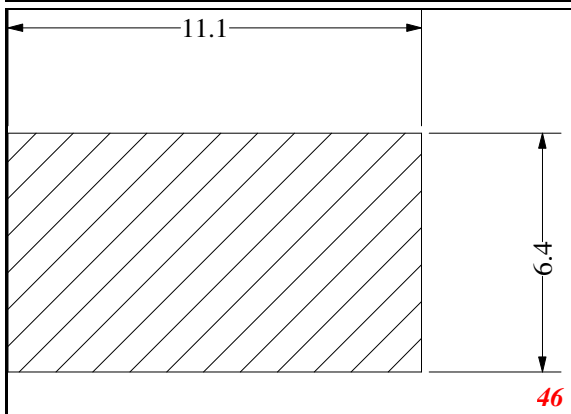
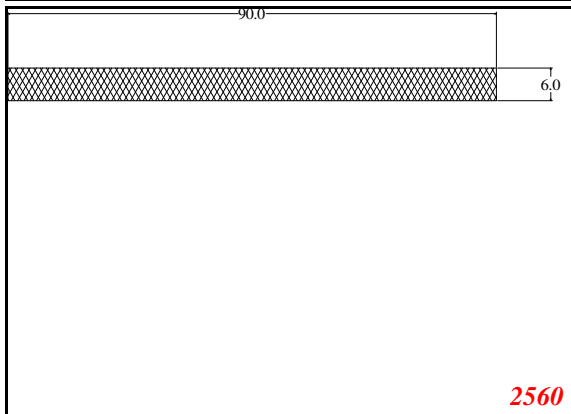
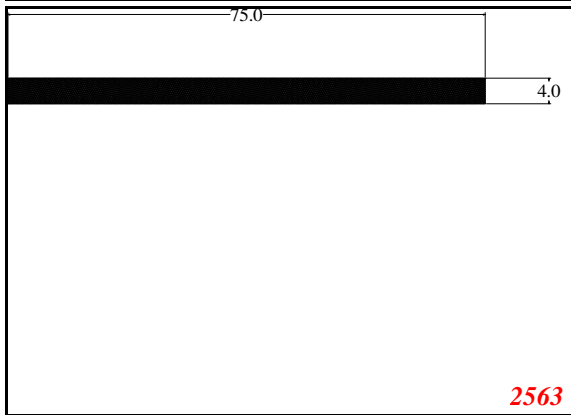
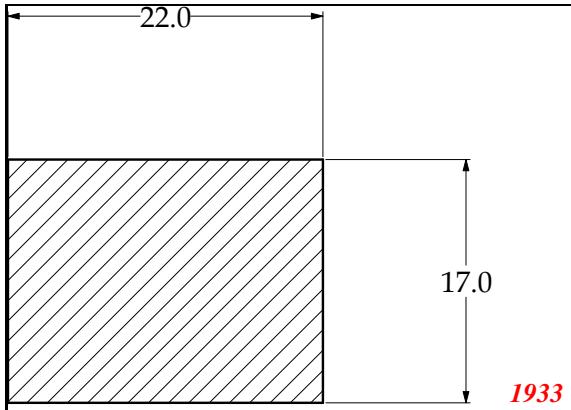
*Strip*



Strip

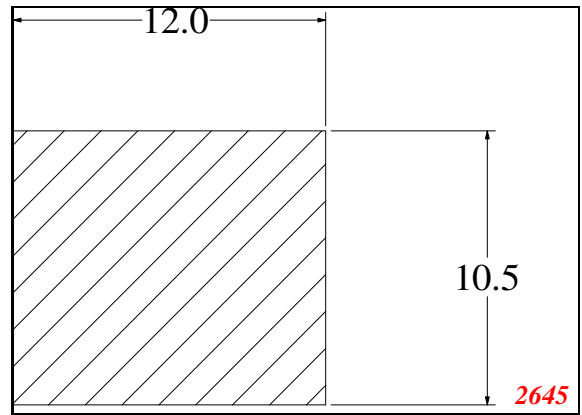
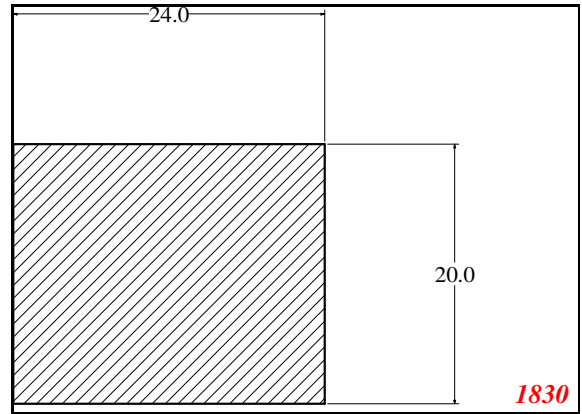
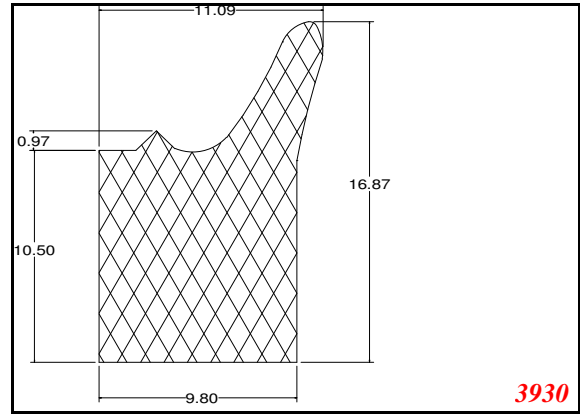
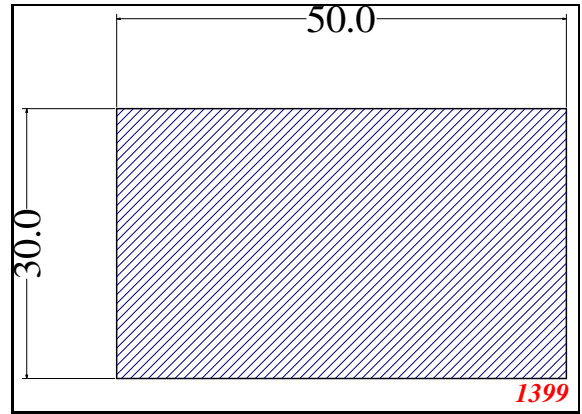
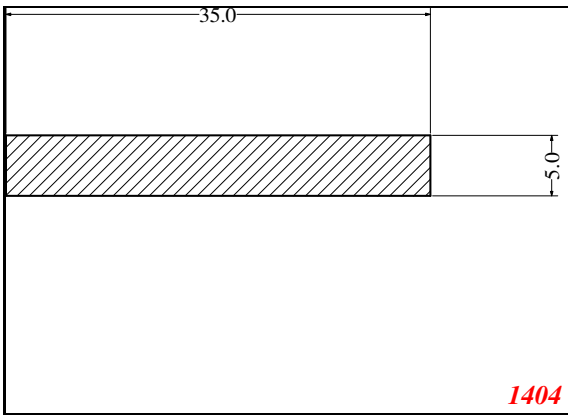
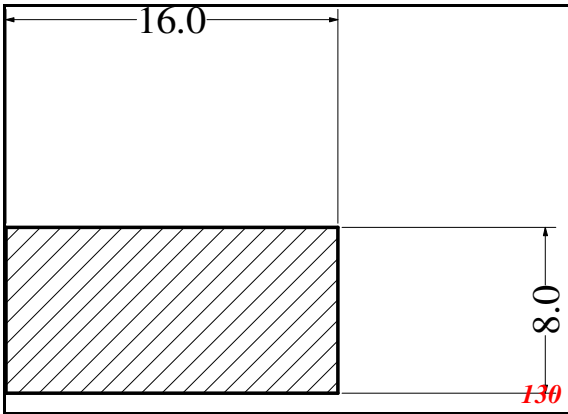
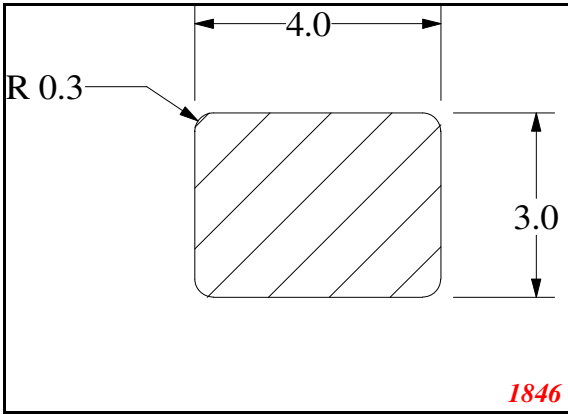
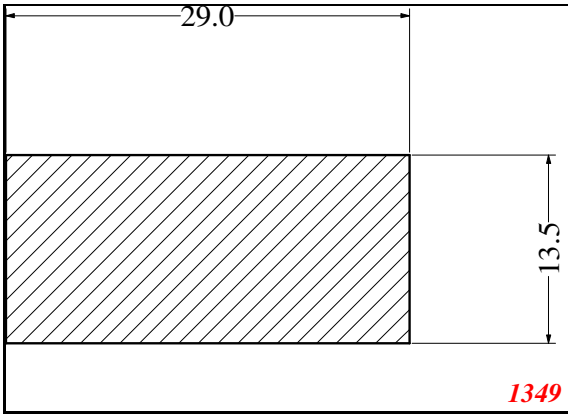


*Strip*

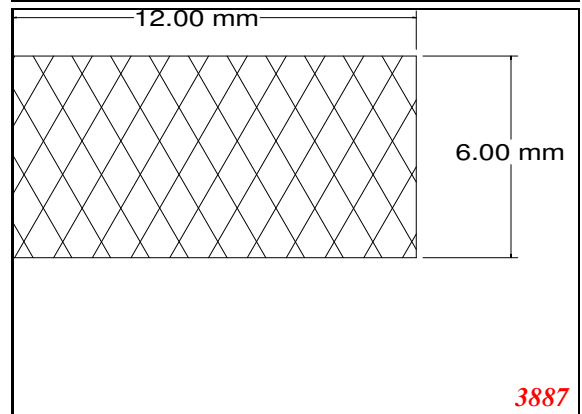
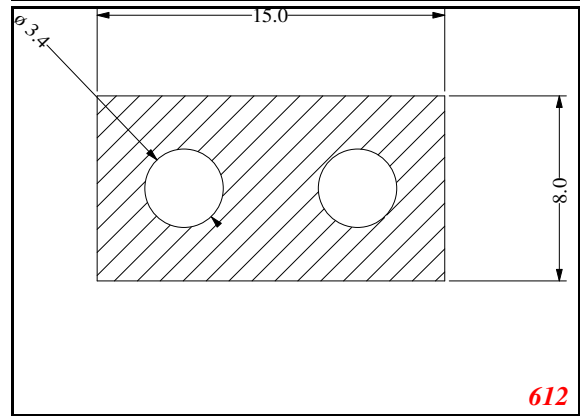
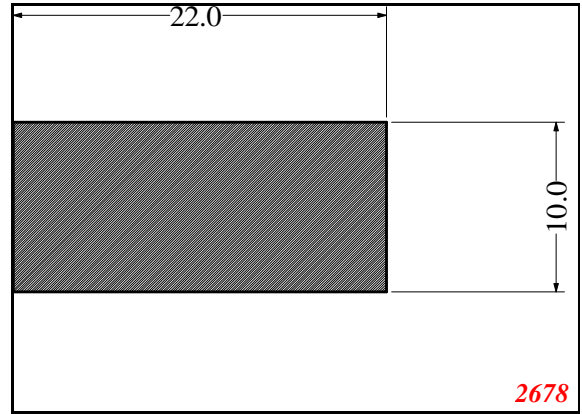
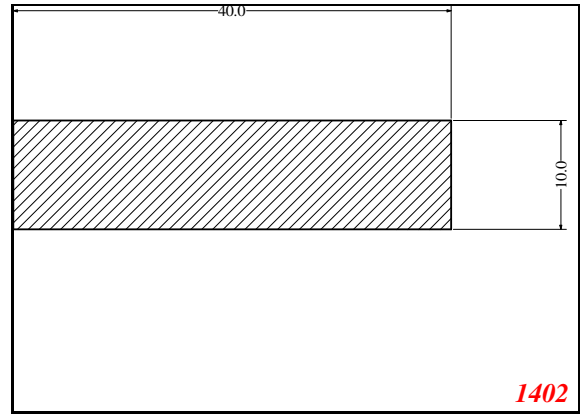
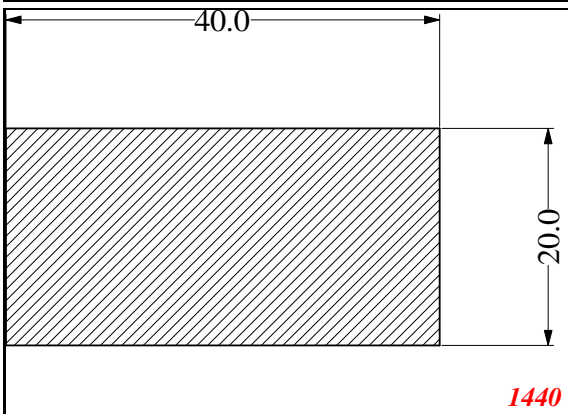
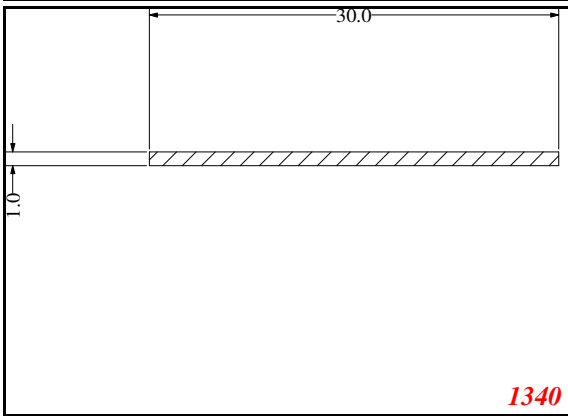
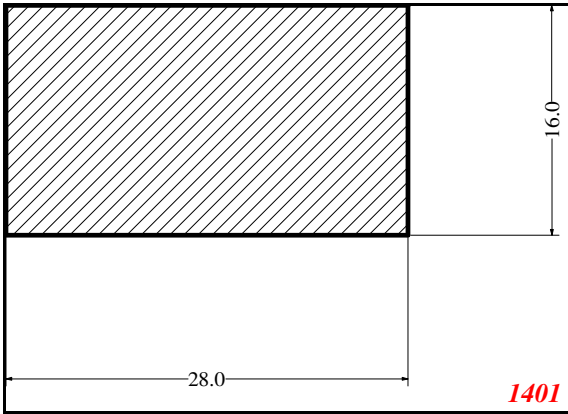
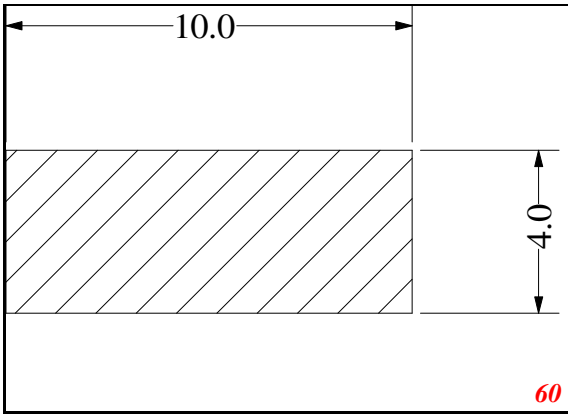




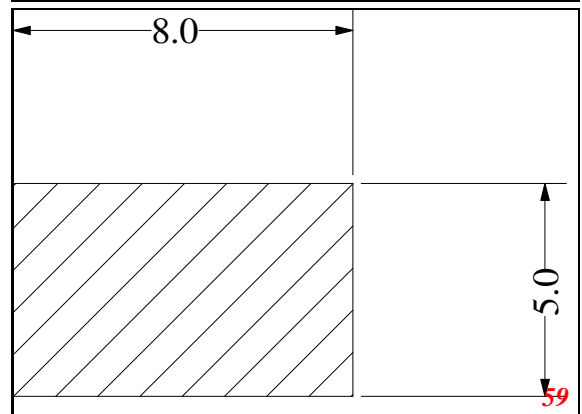
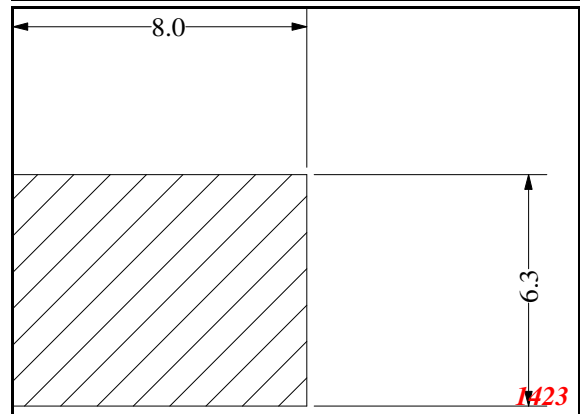
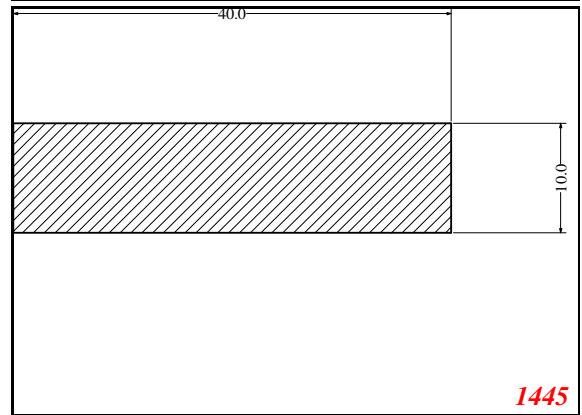
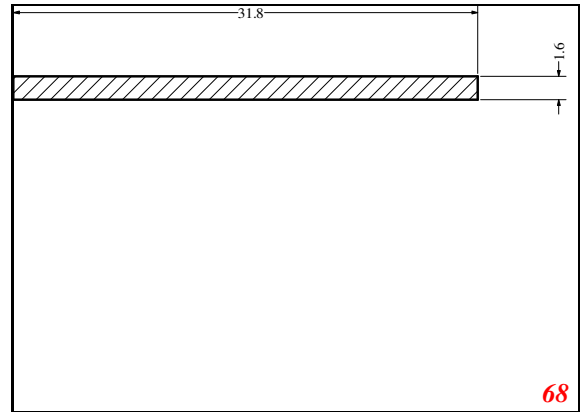
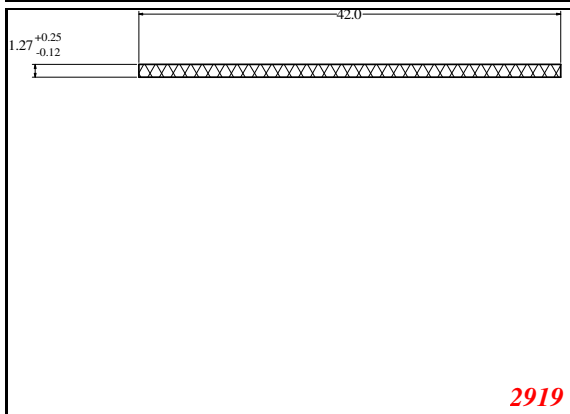
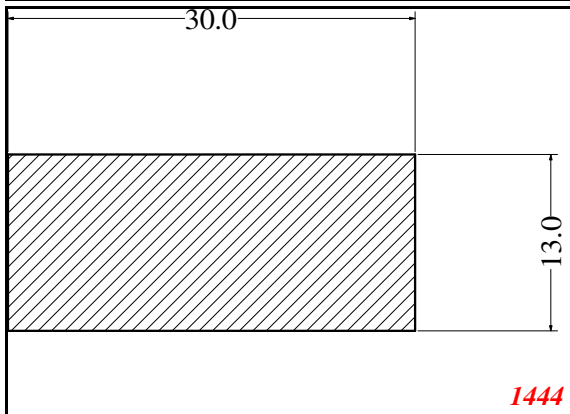
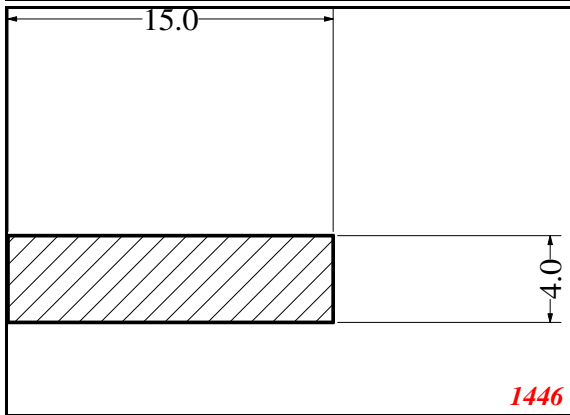
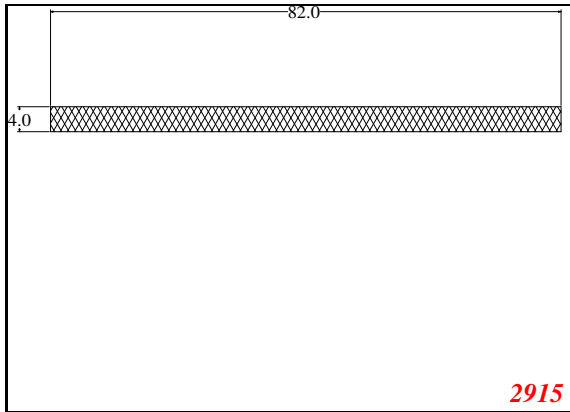
Strip



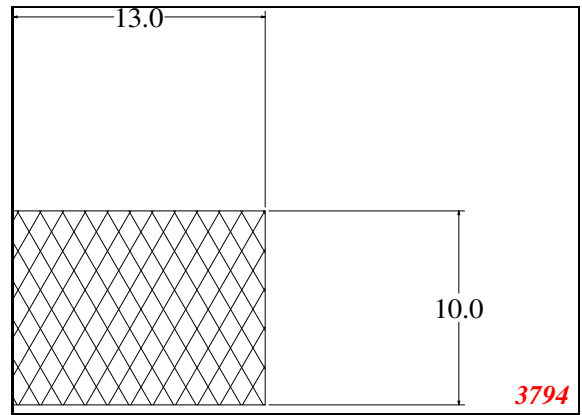
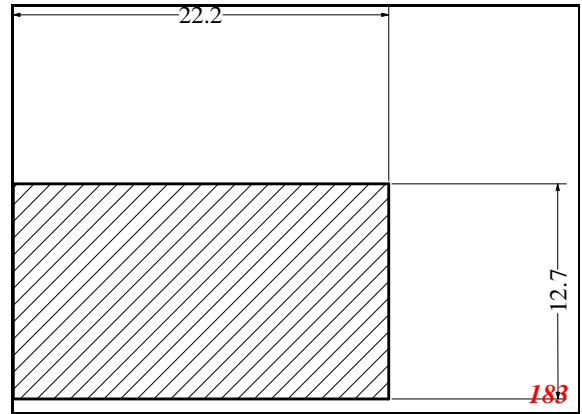
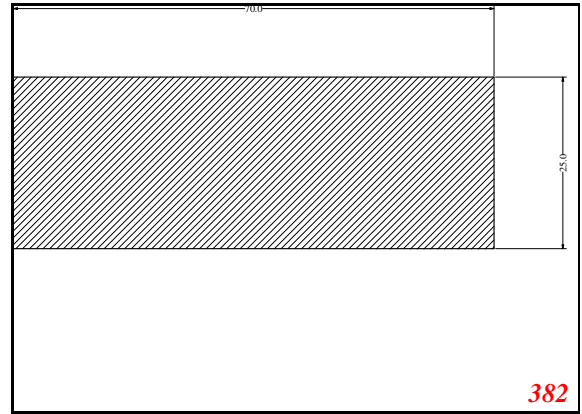
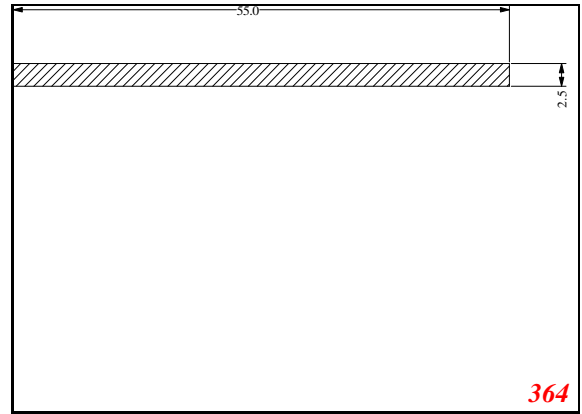
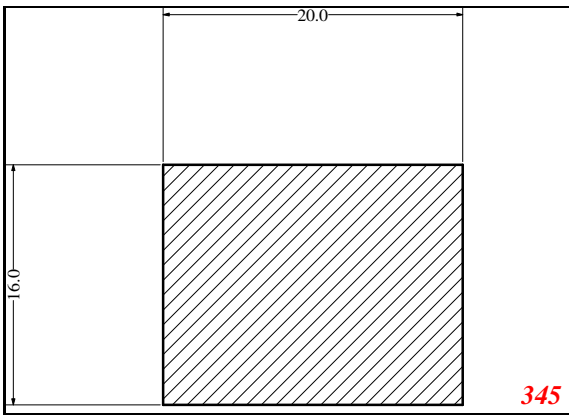
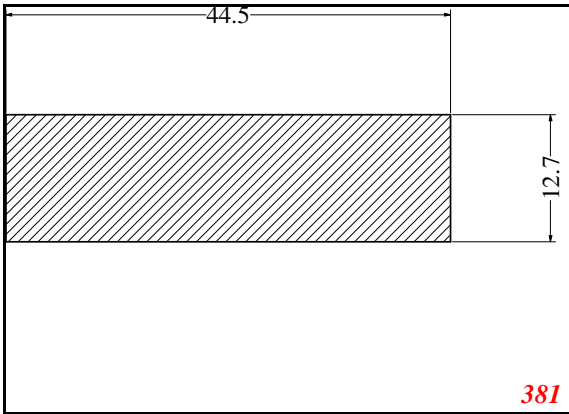
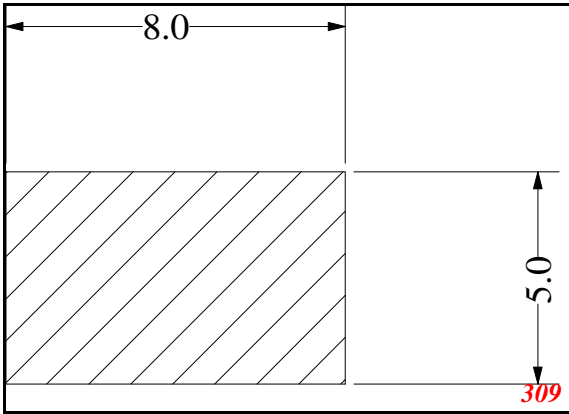
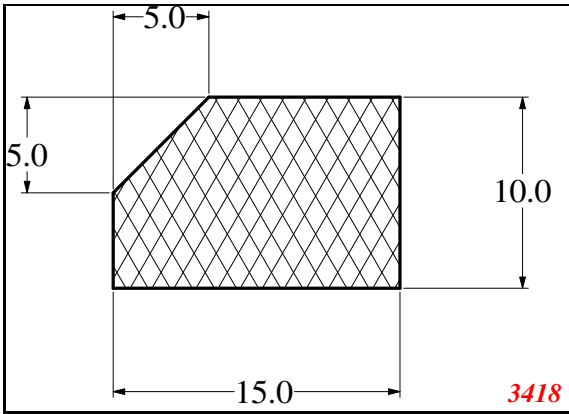
Strip



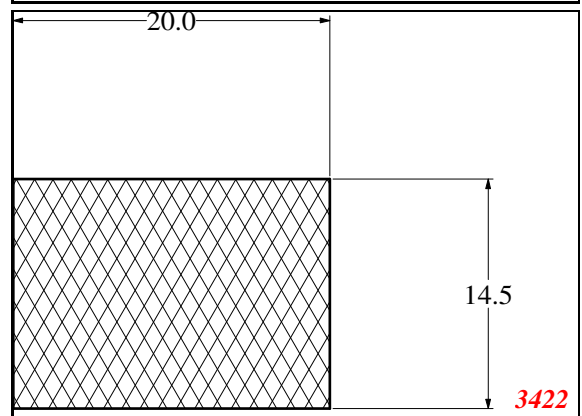
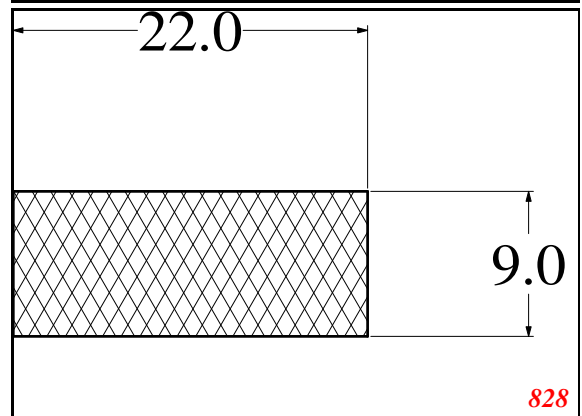
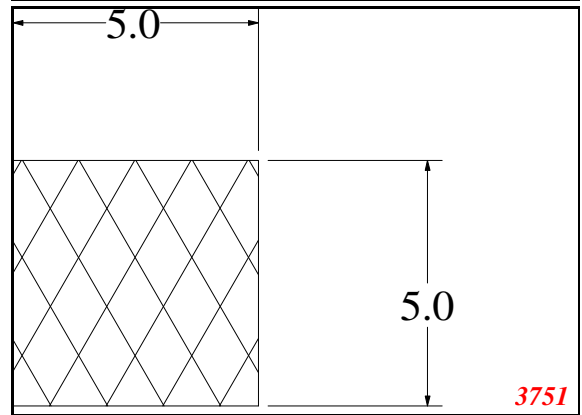
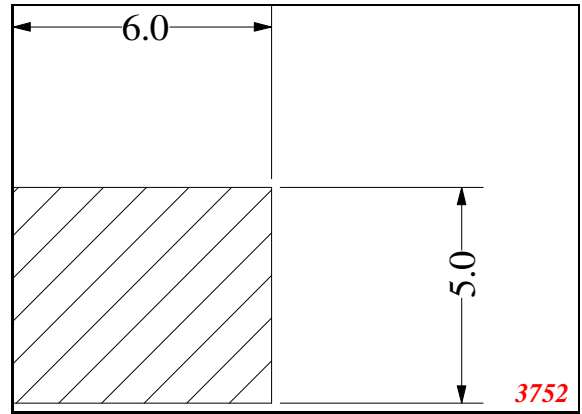
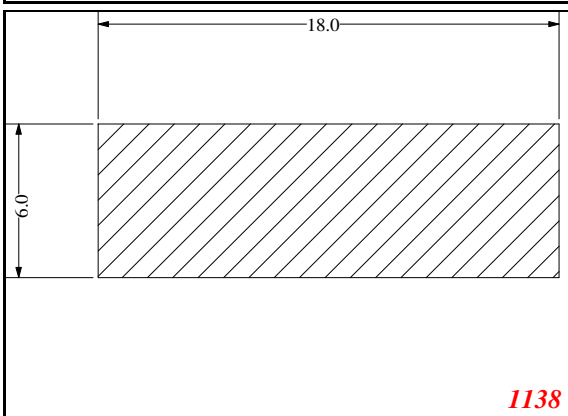
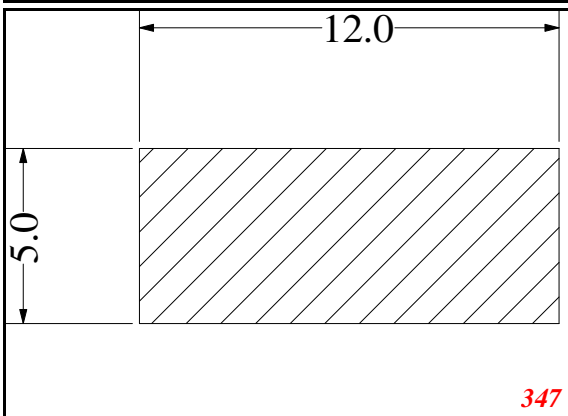
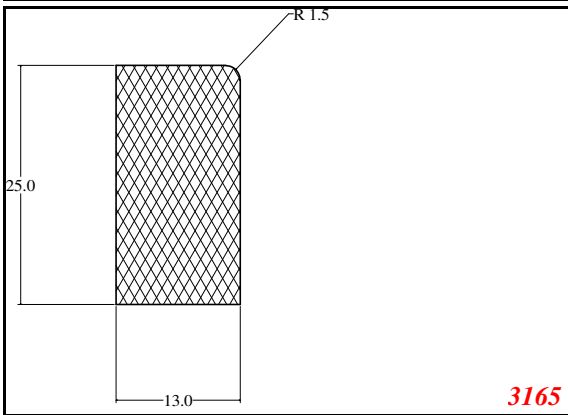
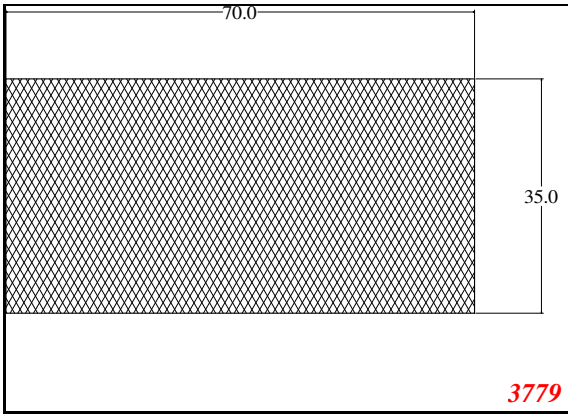
Strip



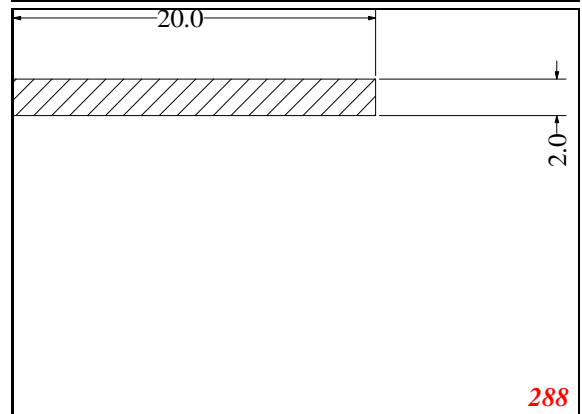
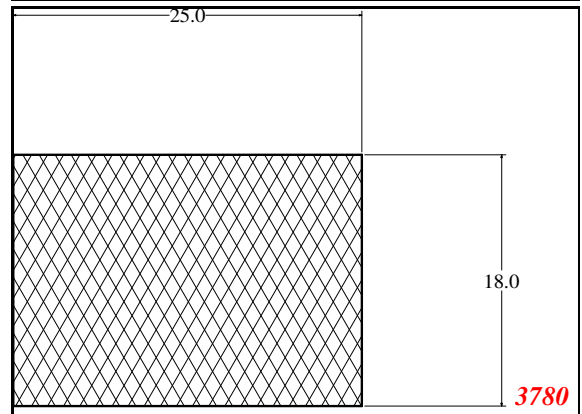
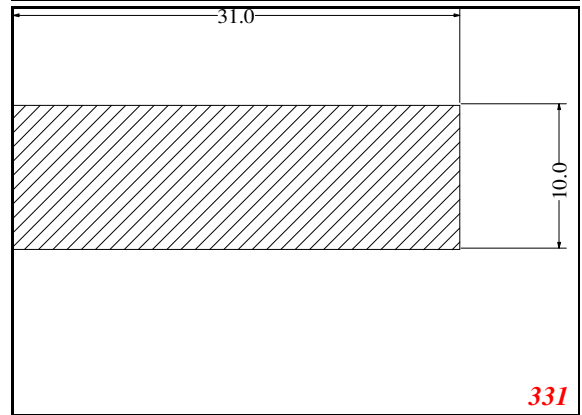
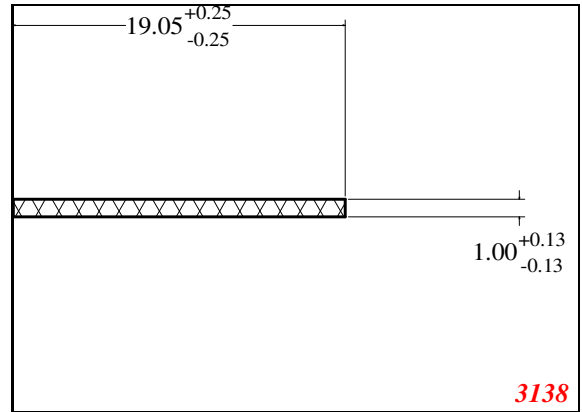
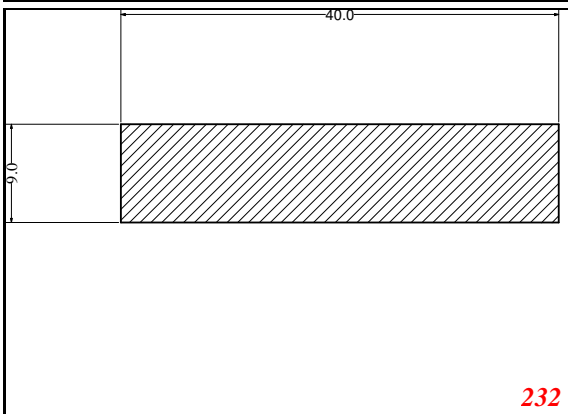
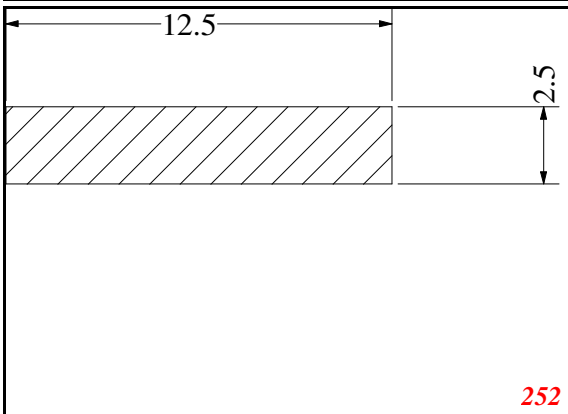
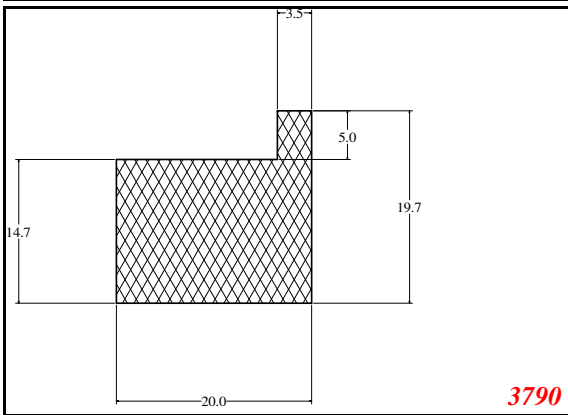
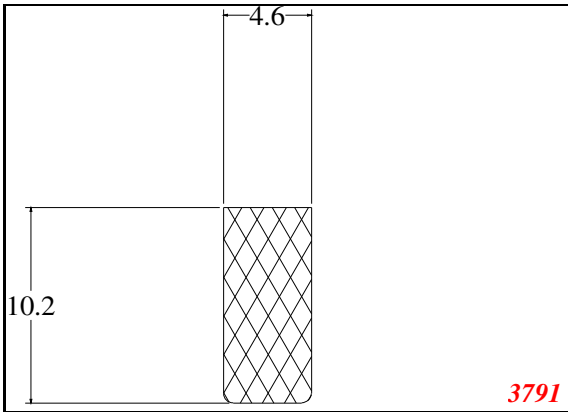
*Strip*



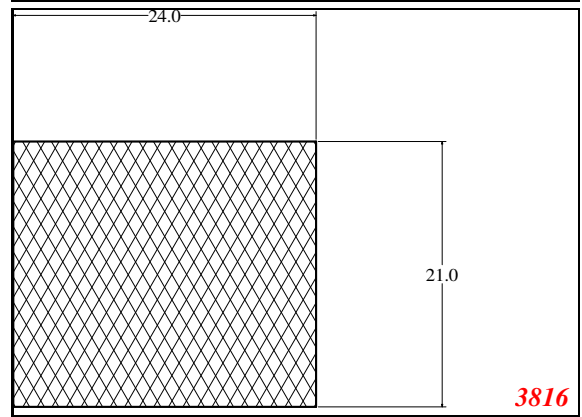
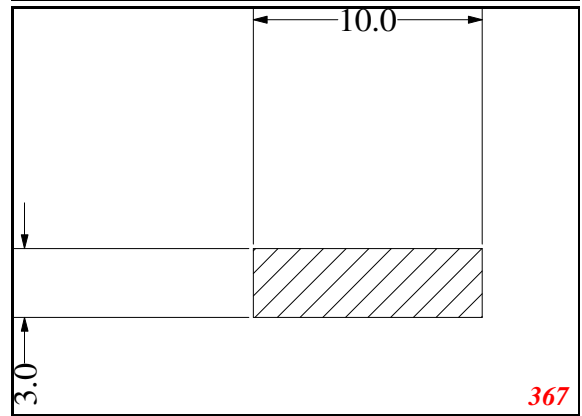
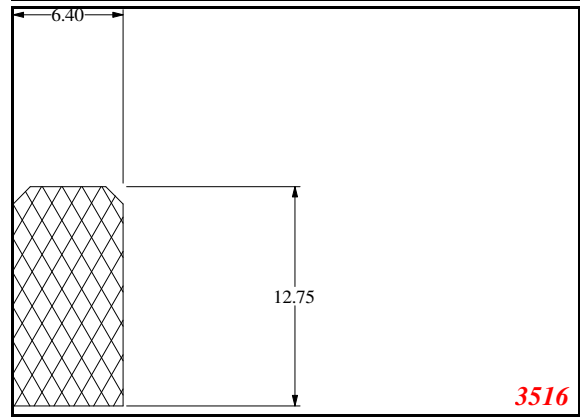
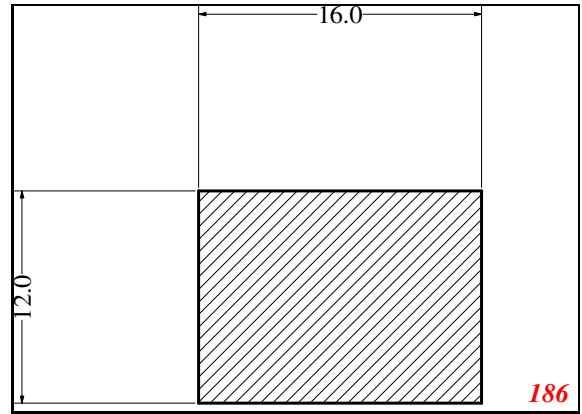
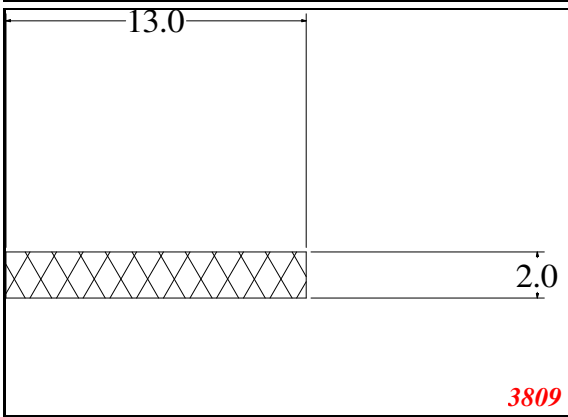
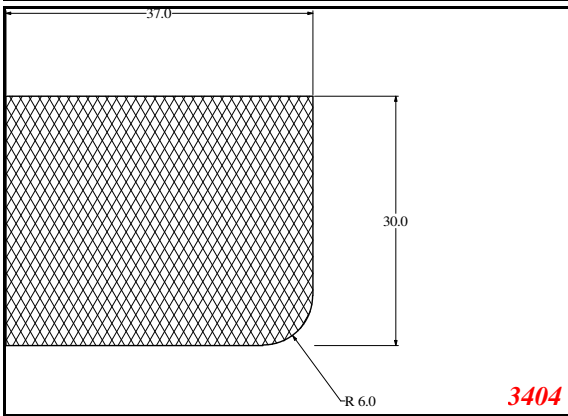
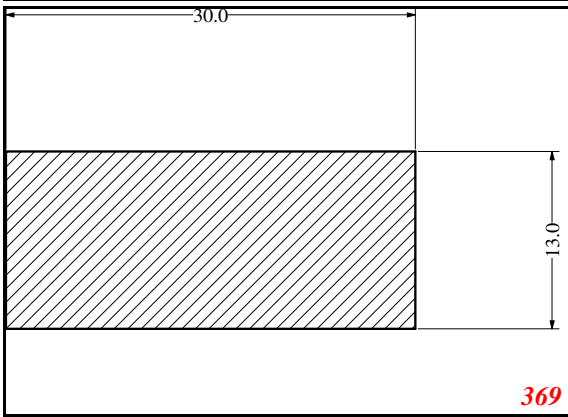
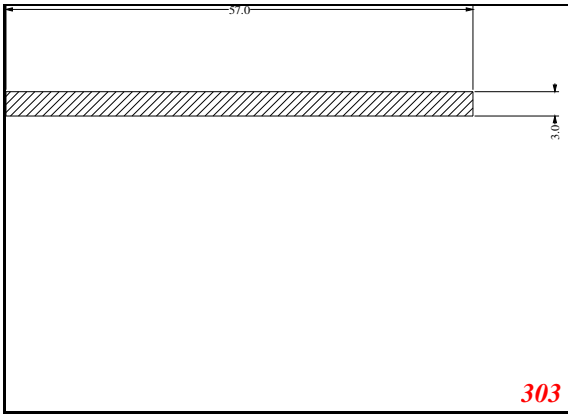
*Strip*



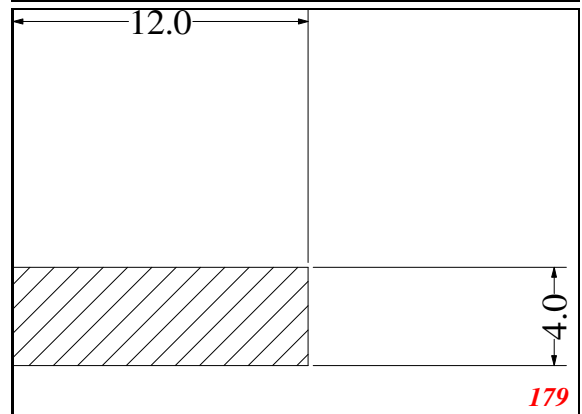
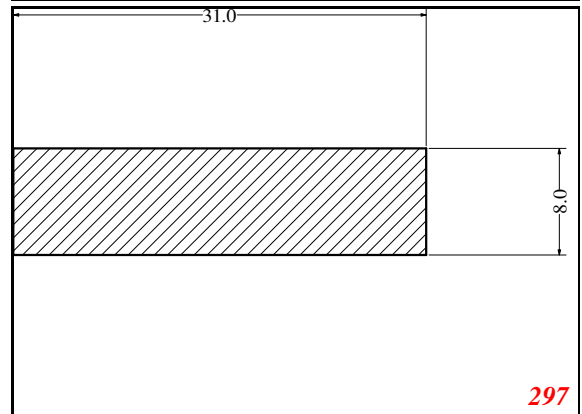
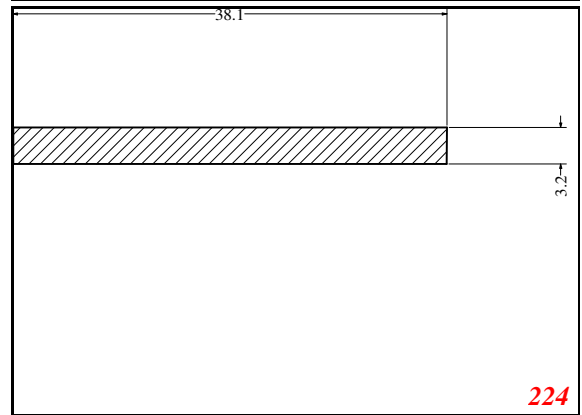
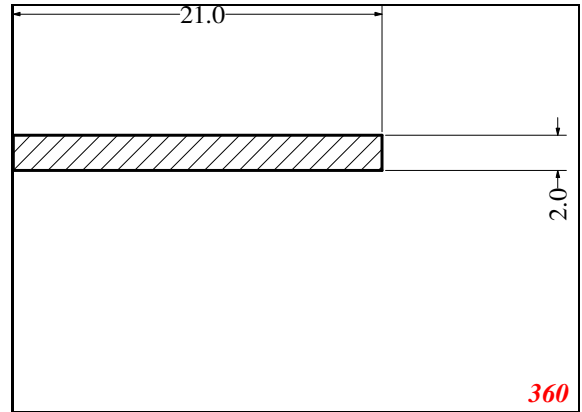
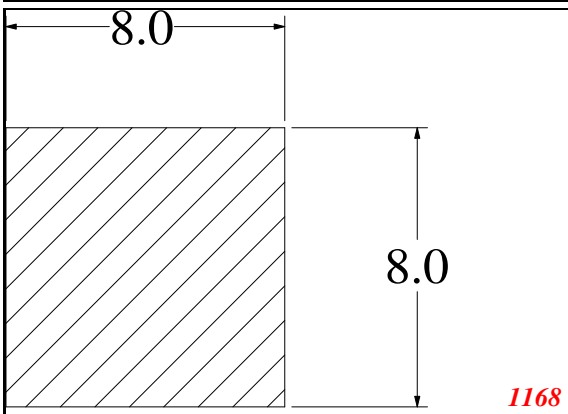
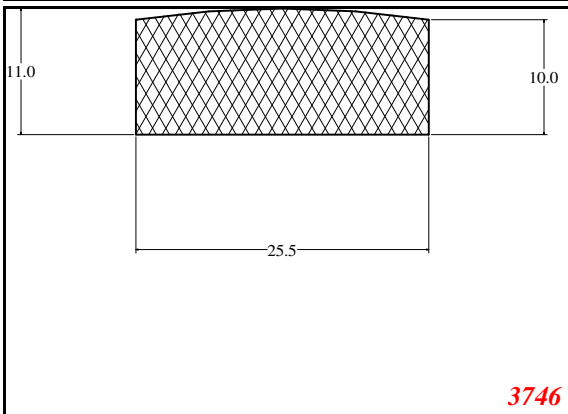
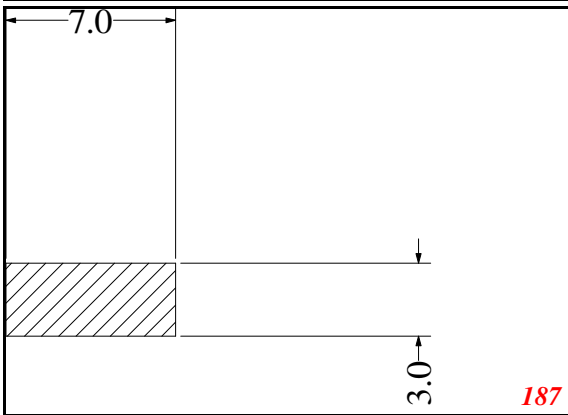
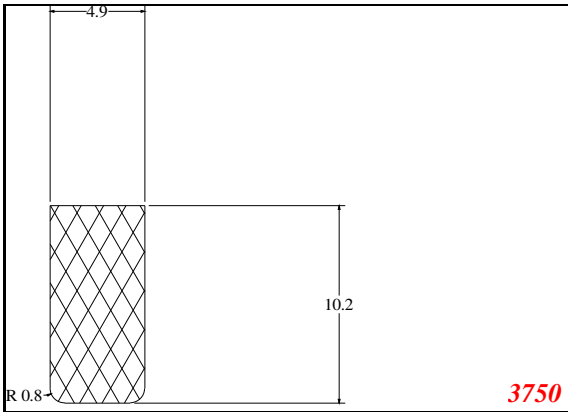
Strip



*Strip*

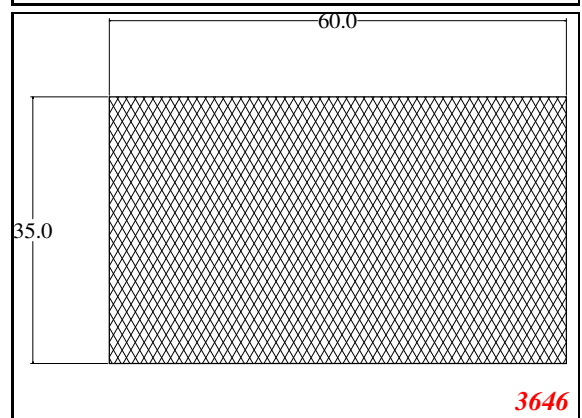
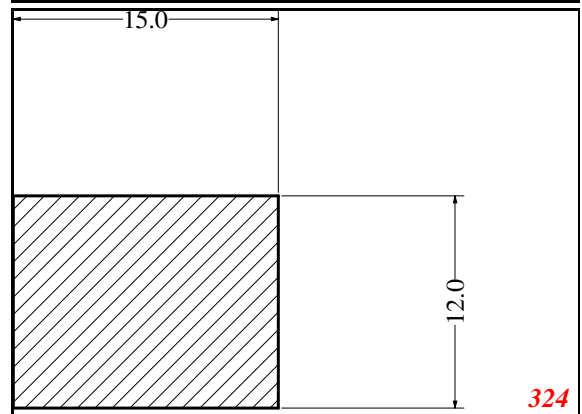
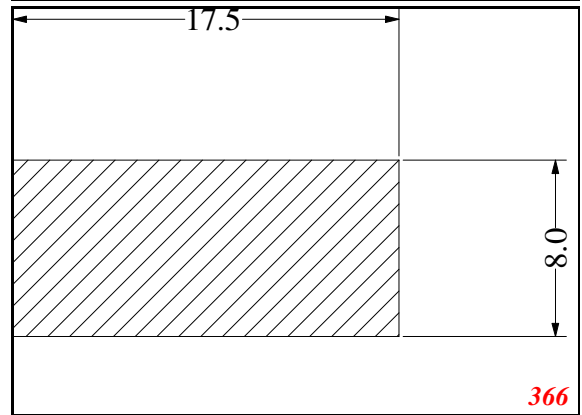
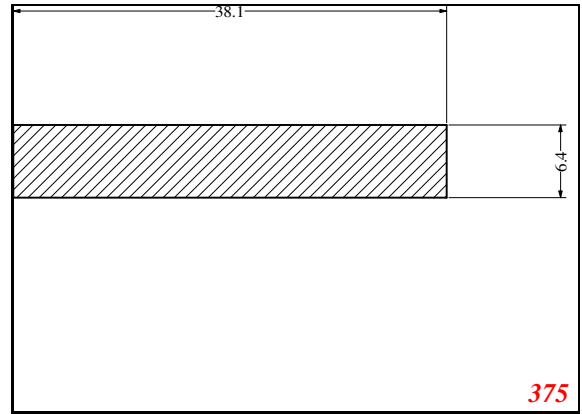
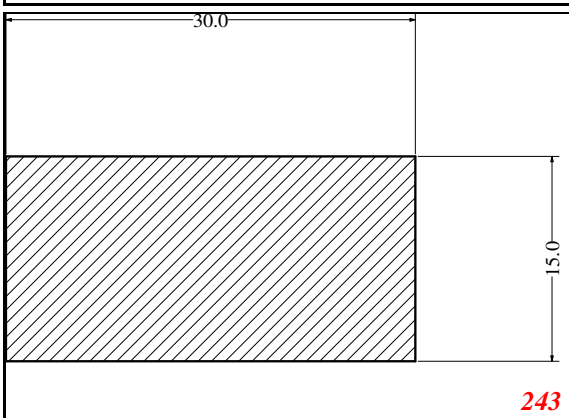
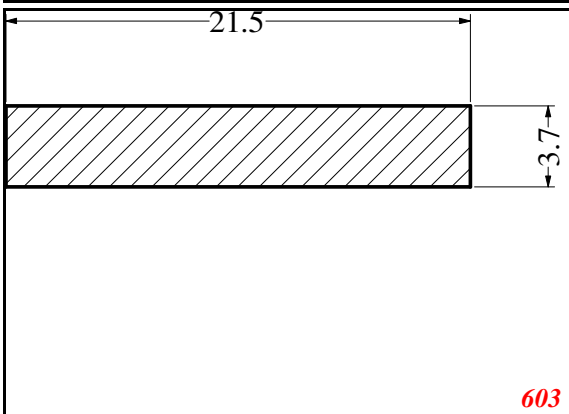
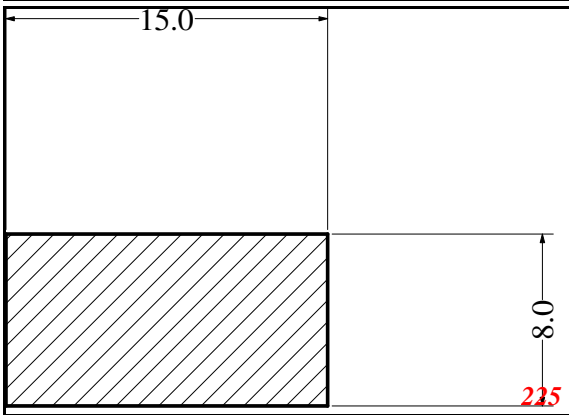
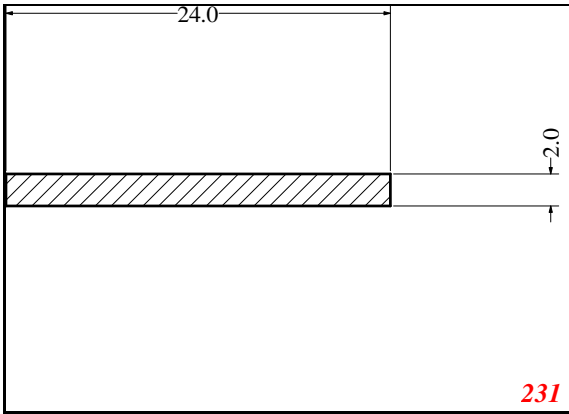


*Strip*

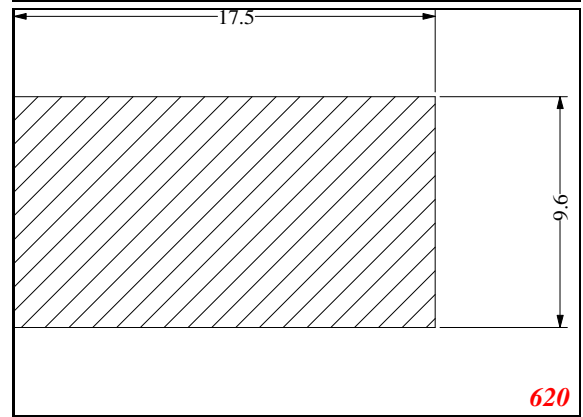
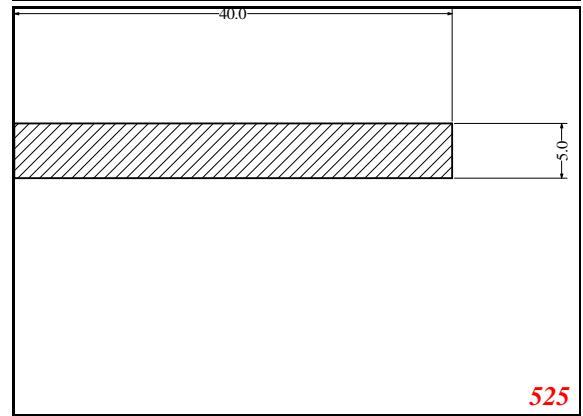
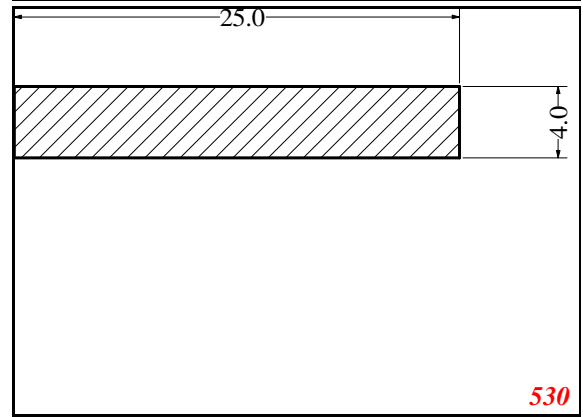
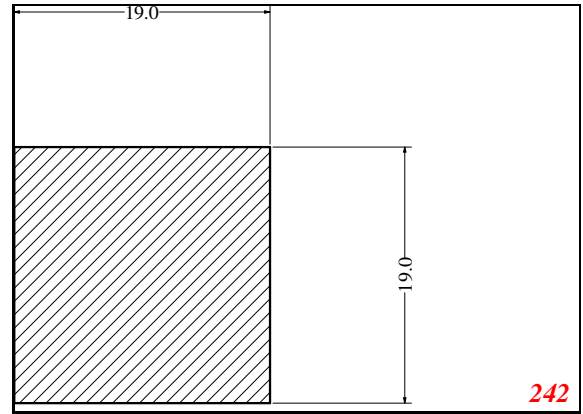
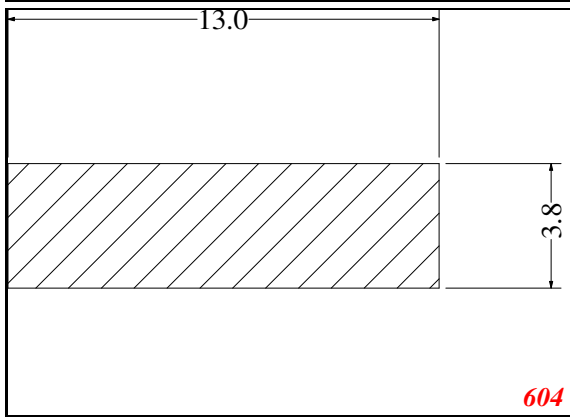
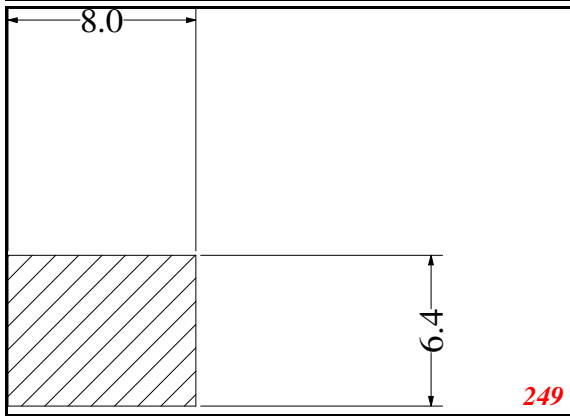
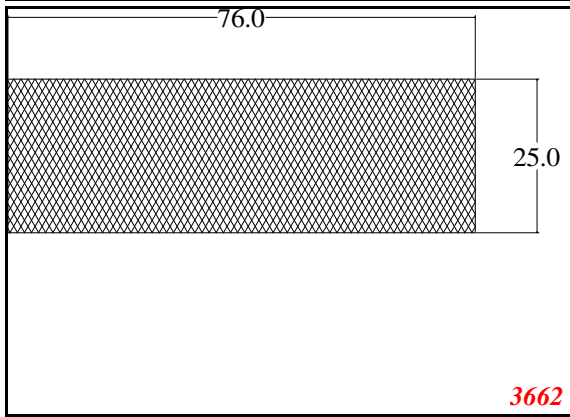
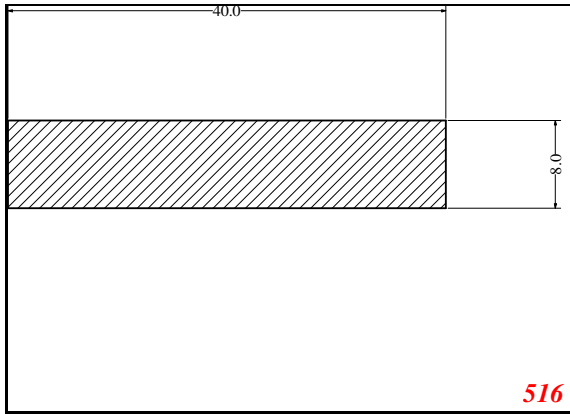




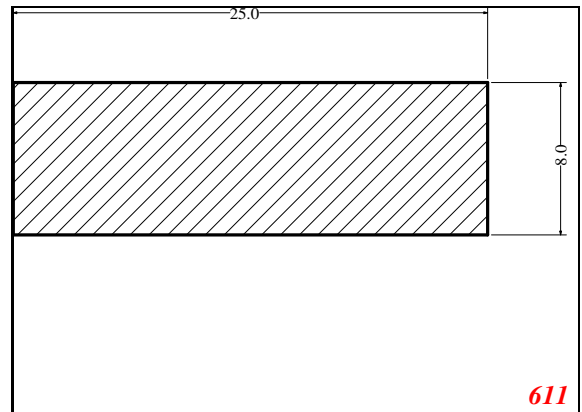
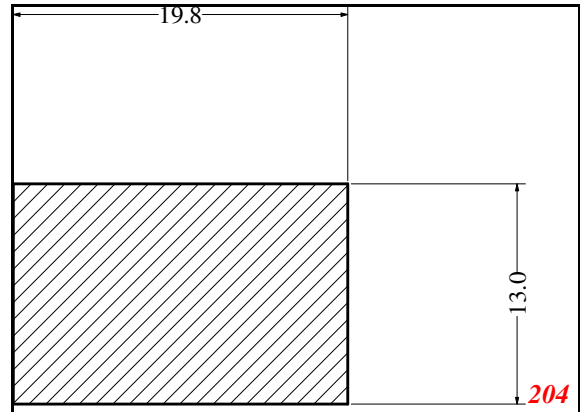
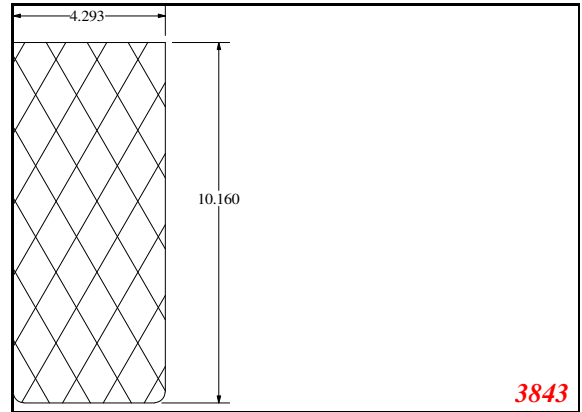
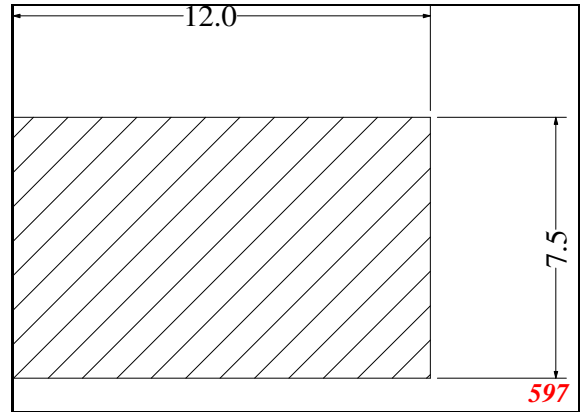
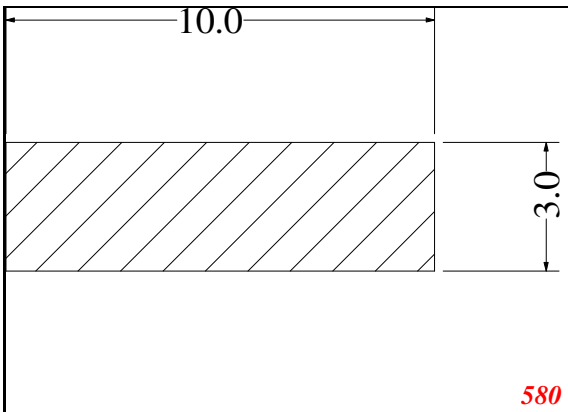
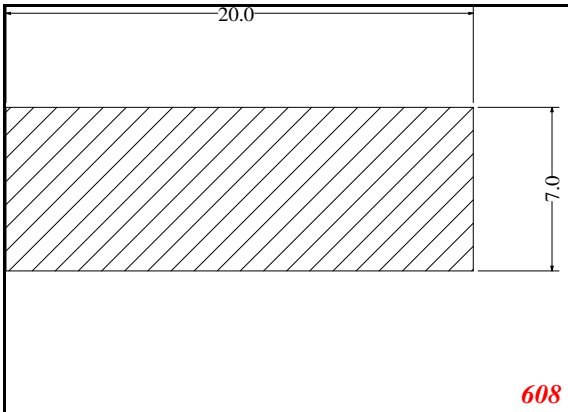
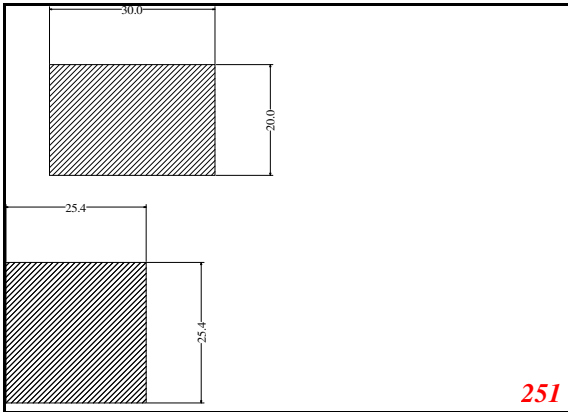
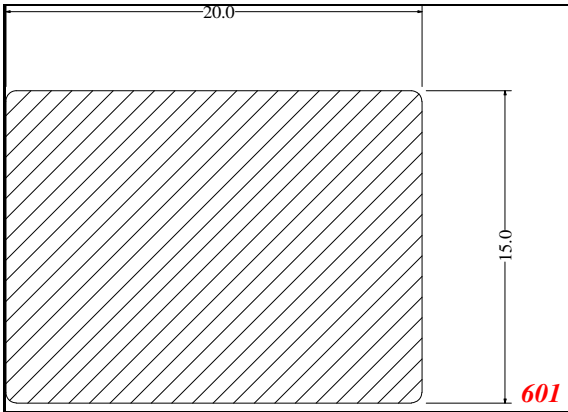
*Strip*



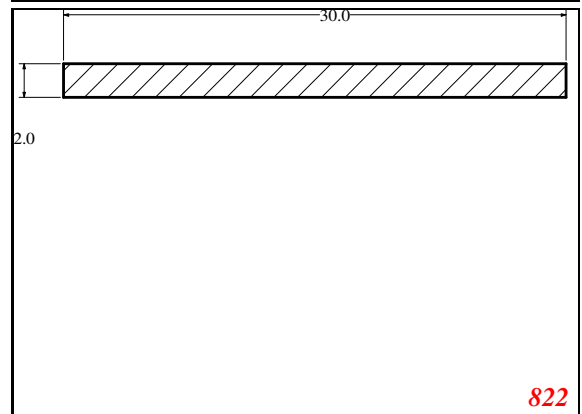
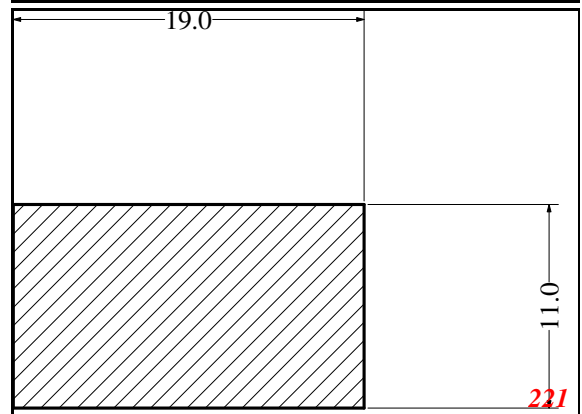
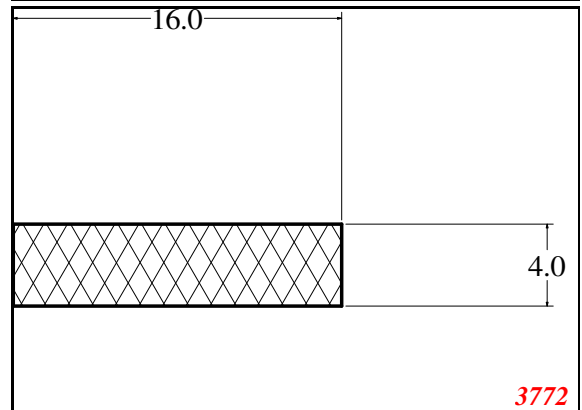
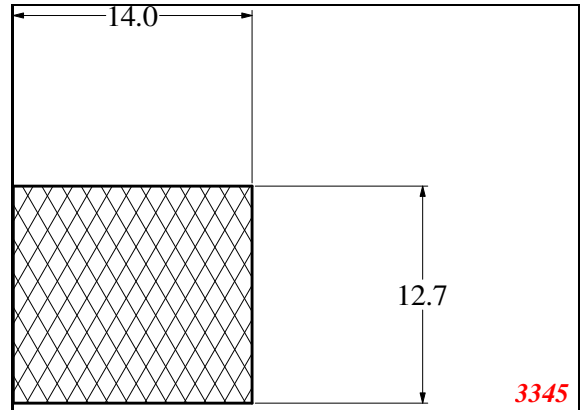
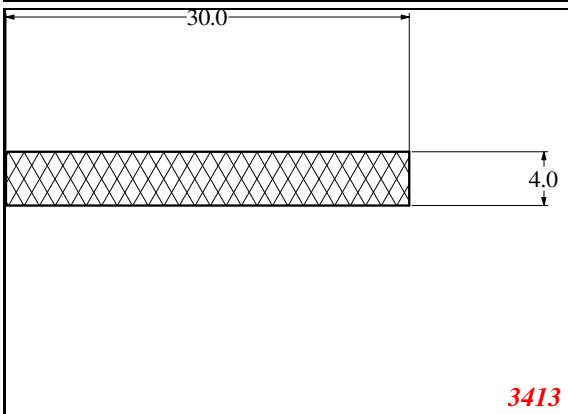
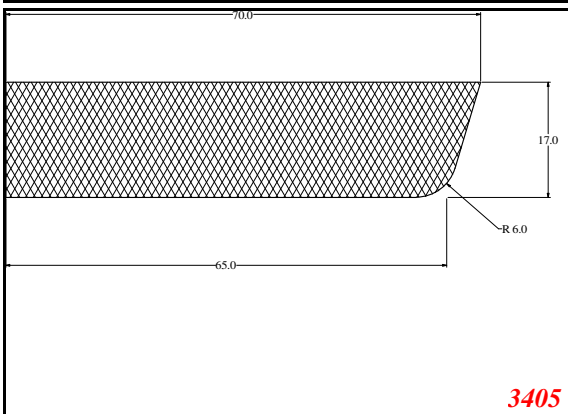
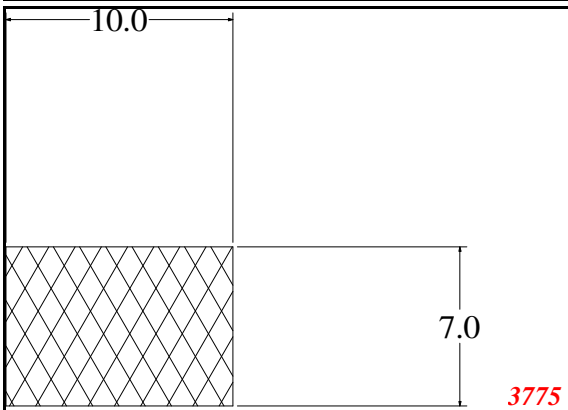
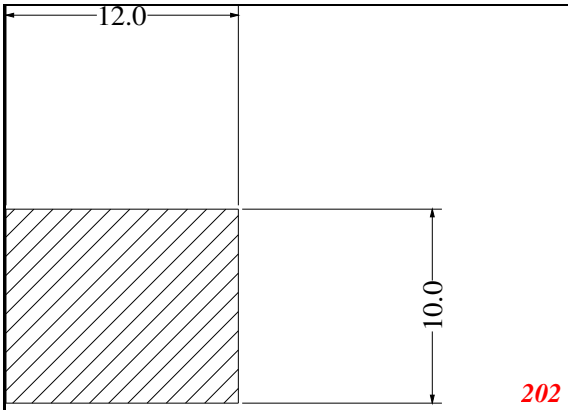
*Strip*



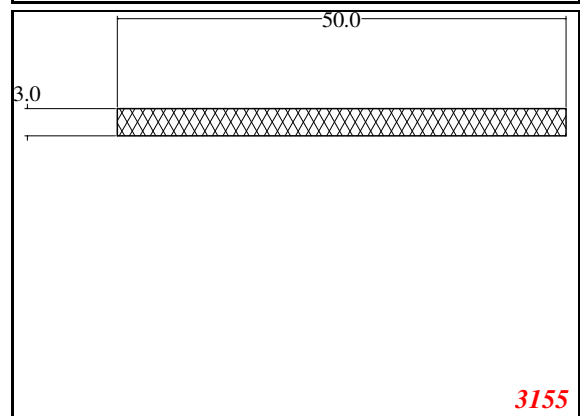
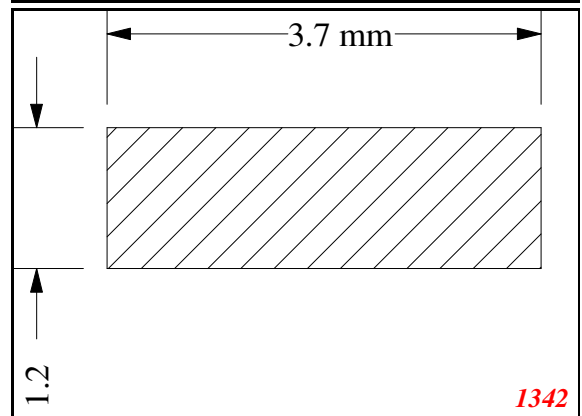
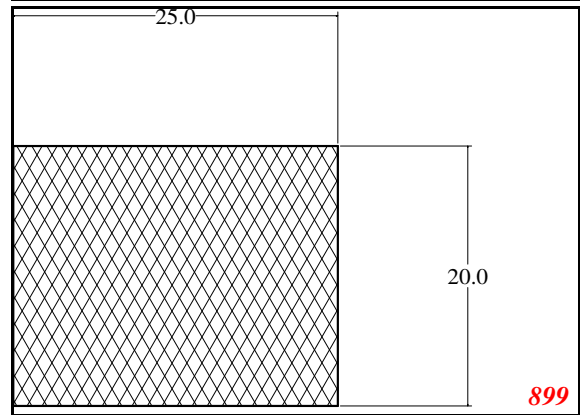
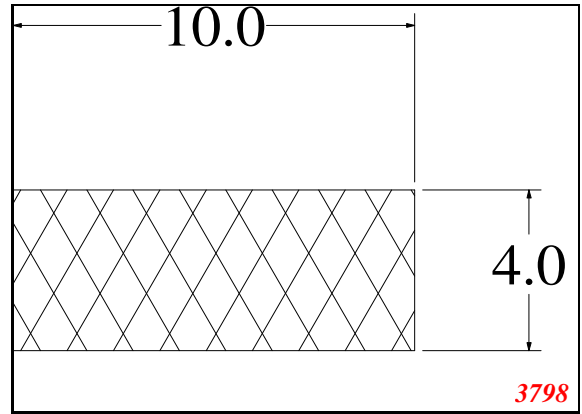
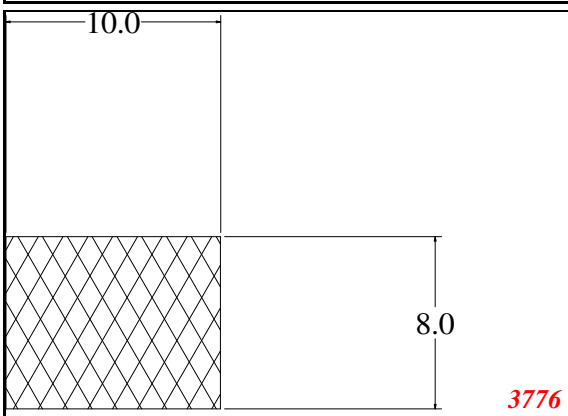
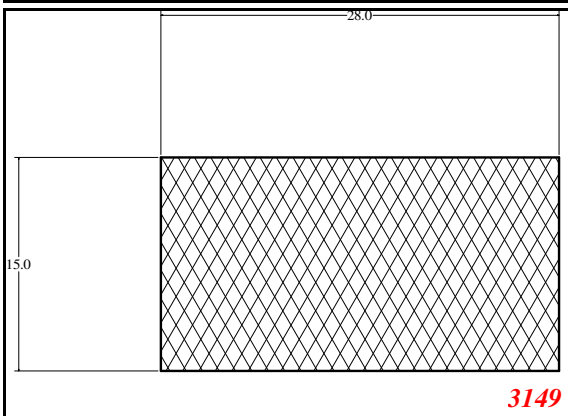
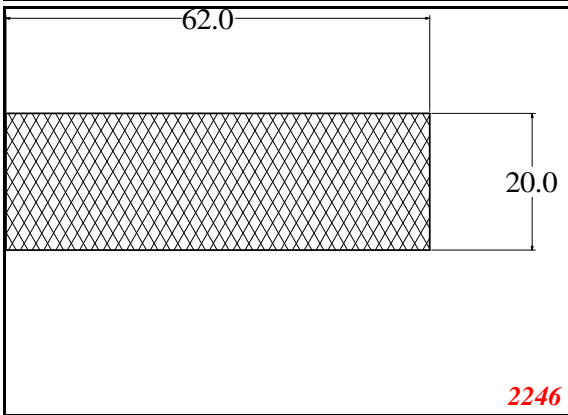
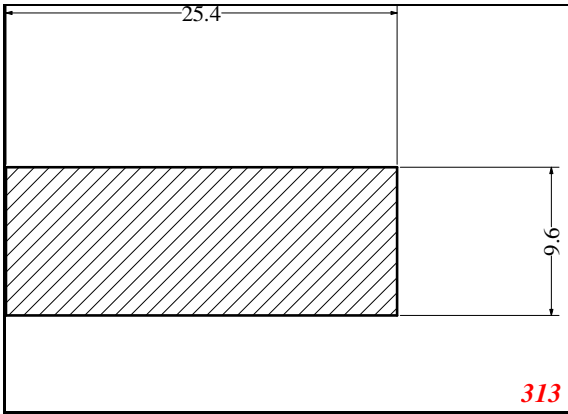
*Strip*



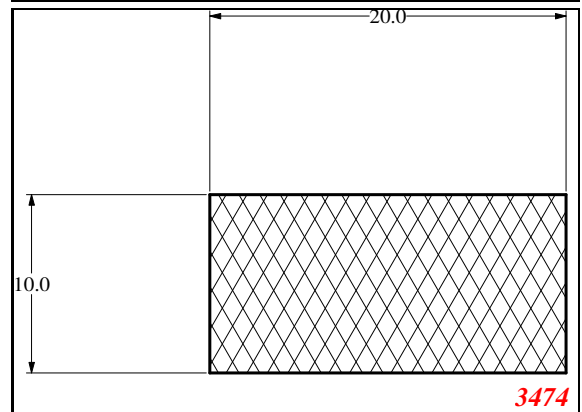
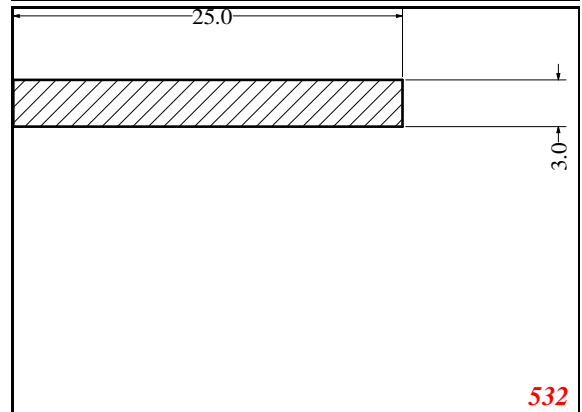
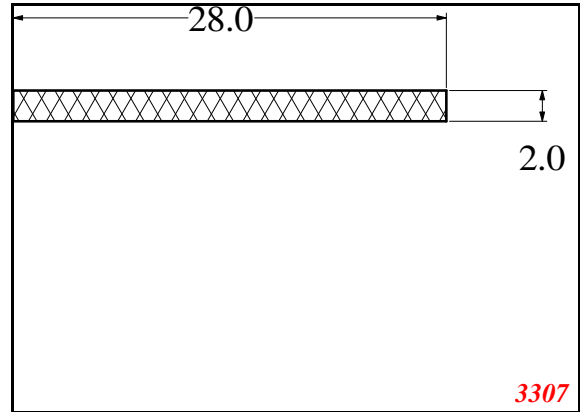
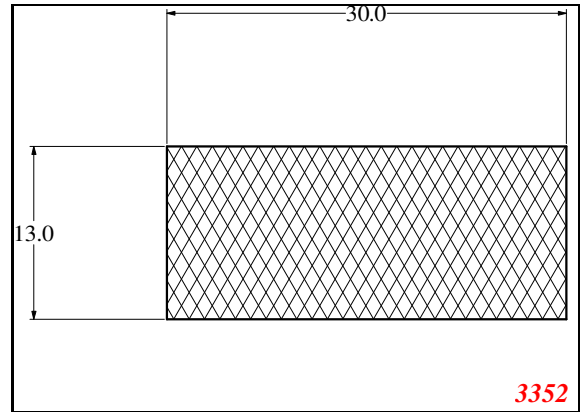
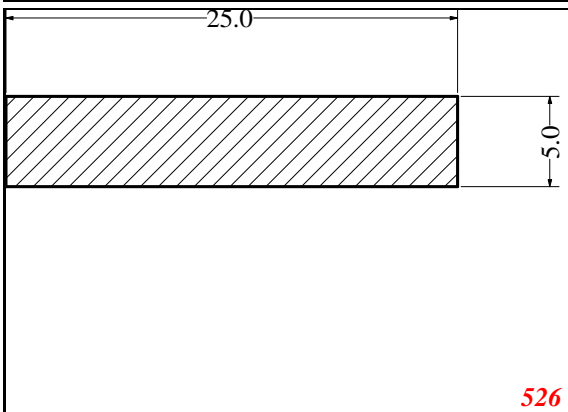
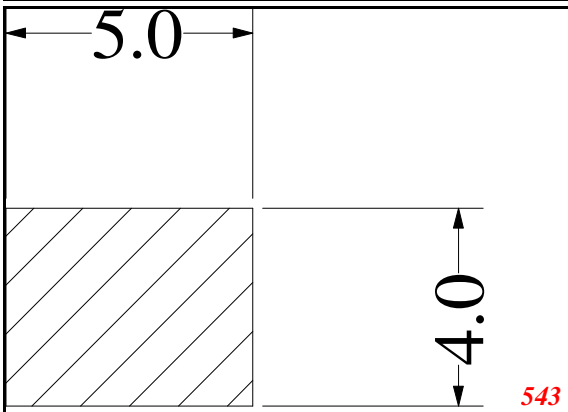
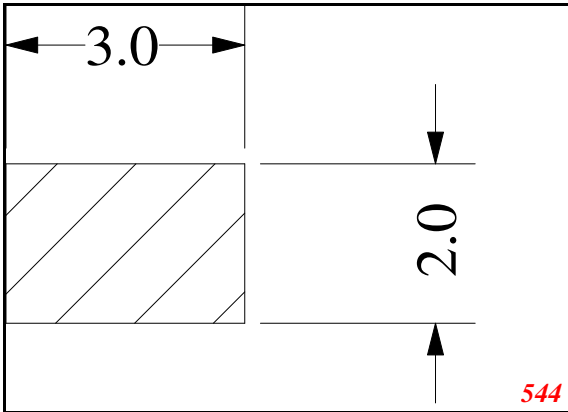
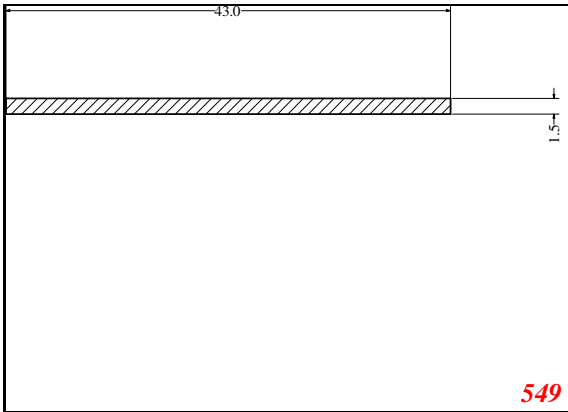
*Strip*



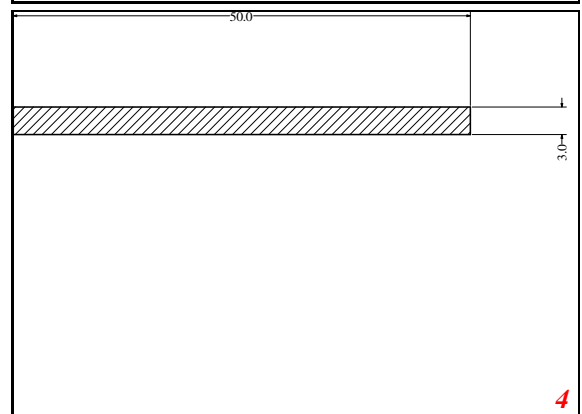
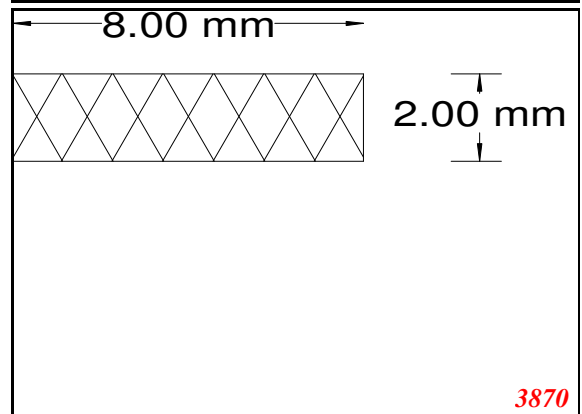
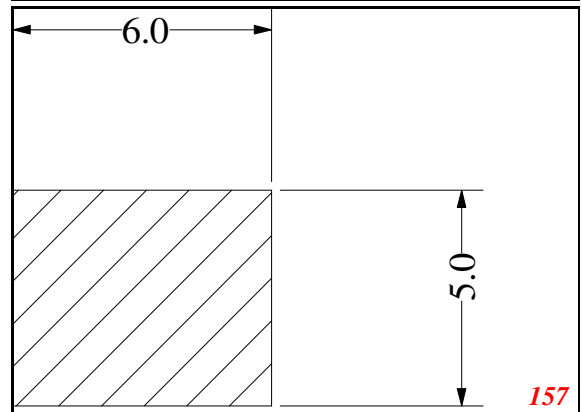
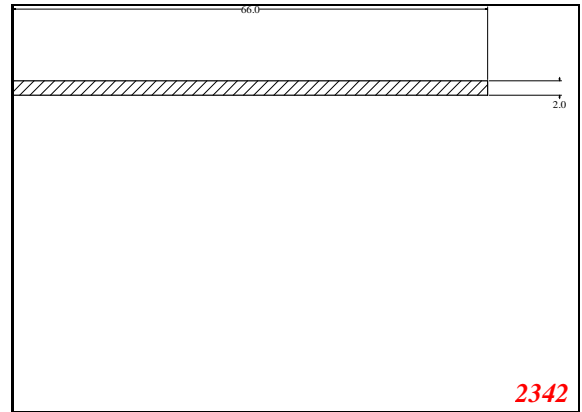
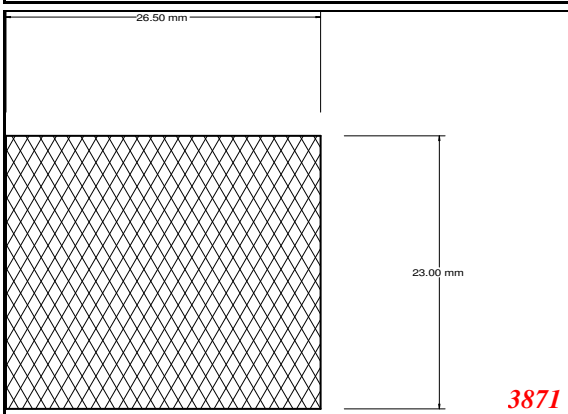
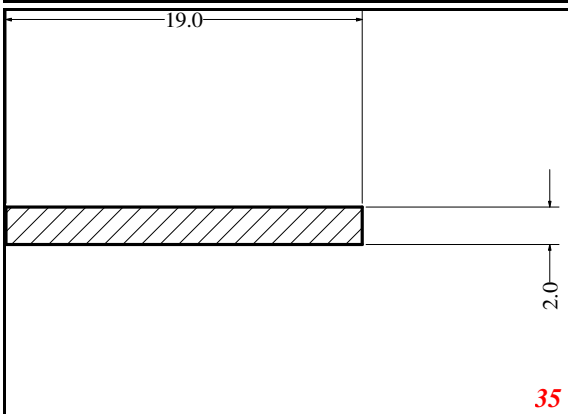
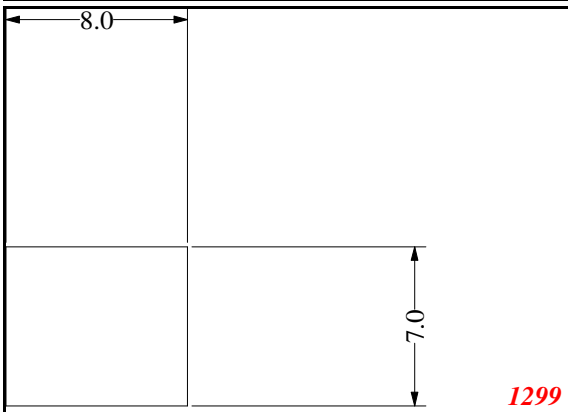
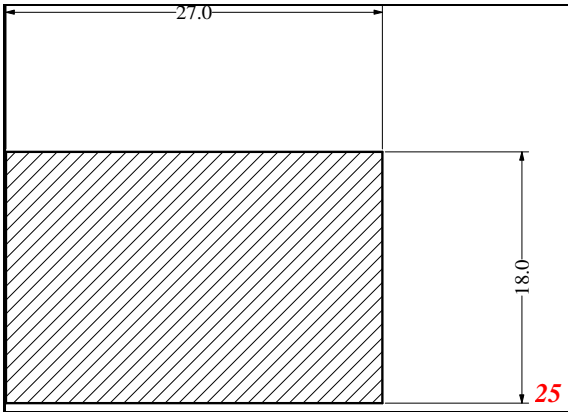
*Strip*



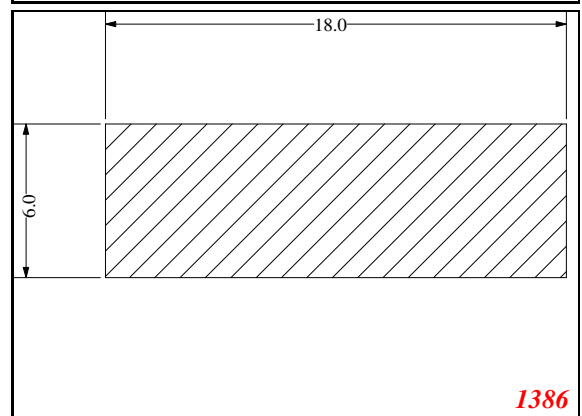
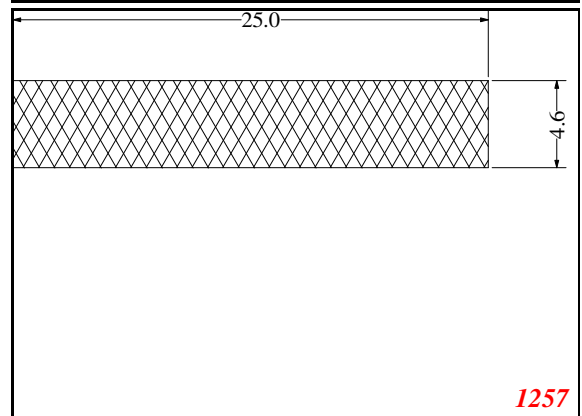
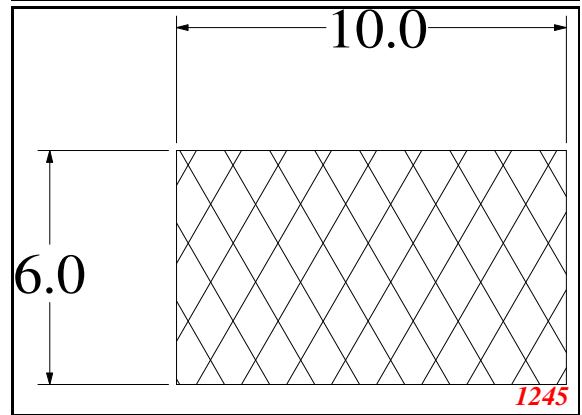
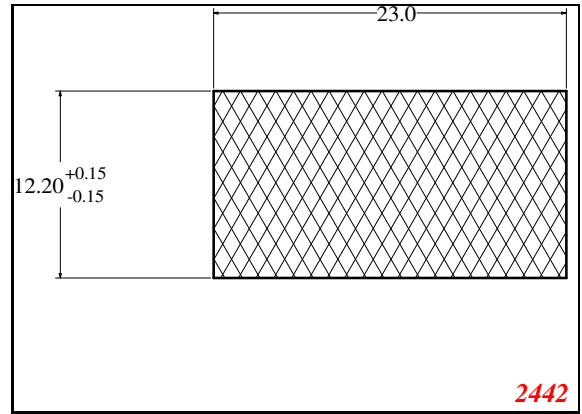
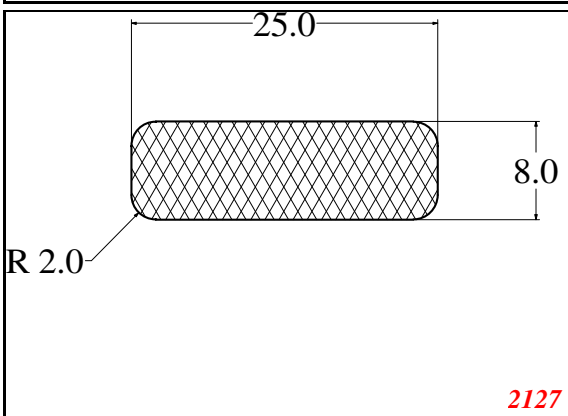
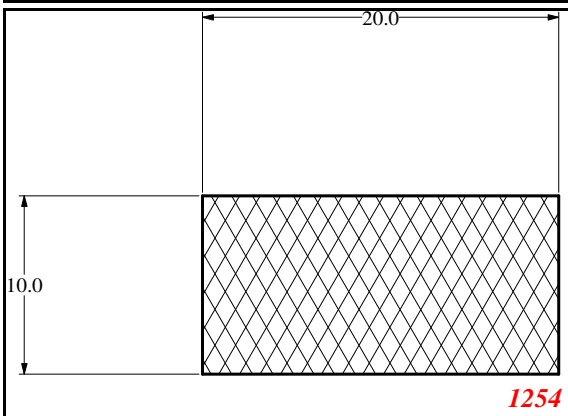
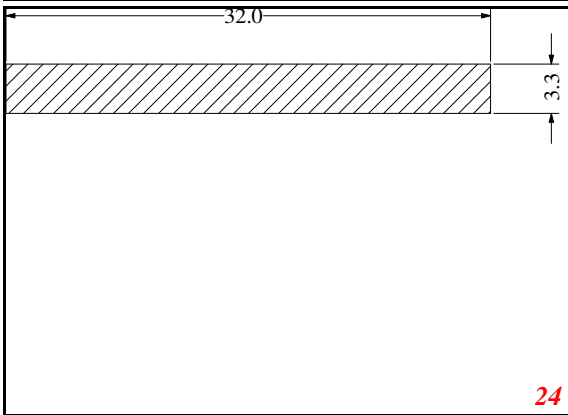
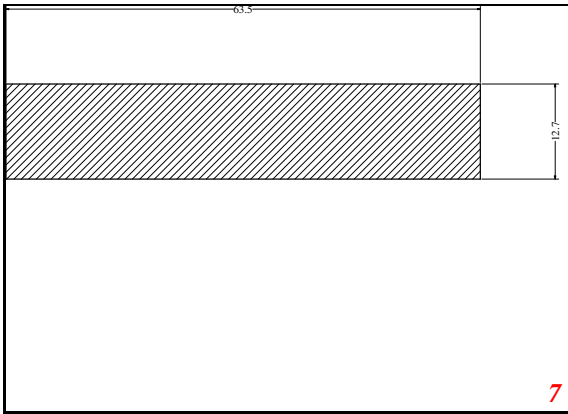
*Strip*



Strip

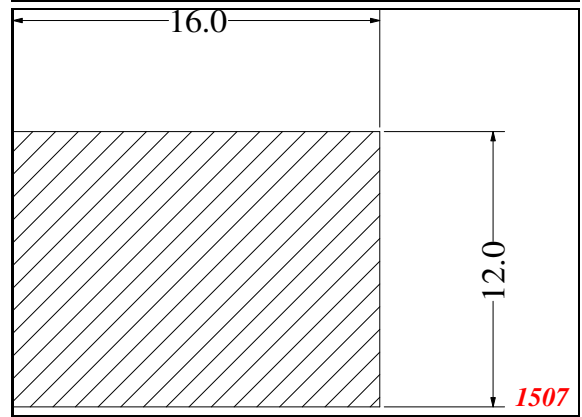
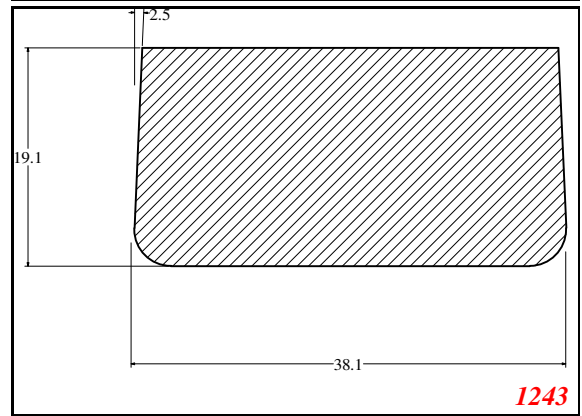
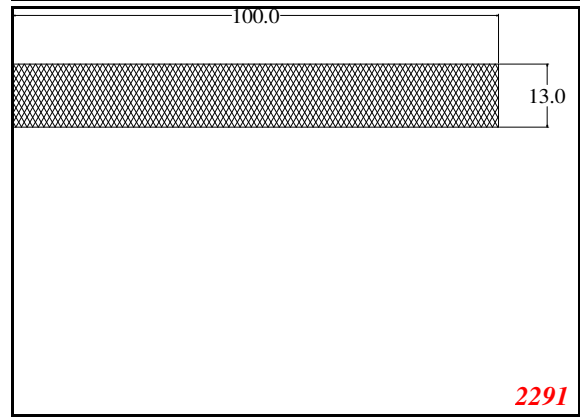
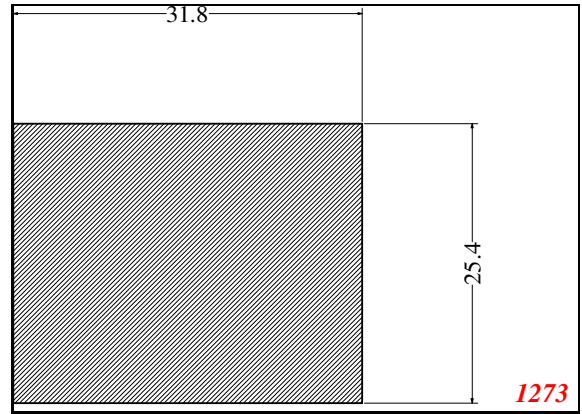
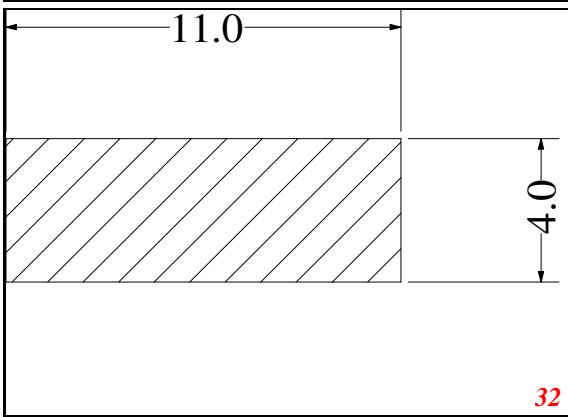
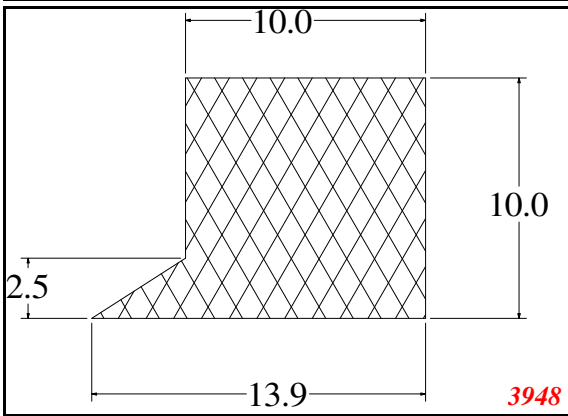
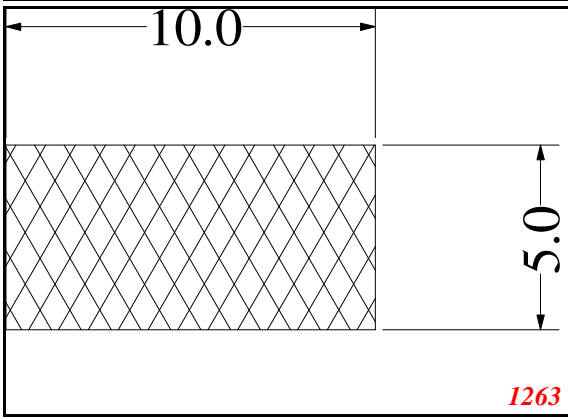
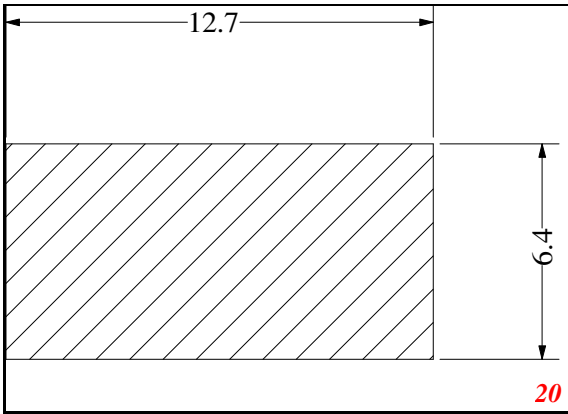


*Strip*

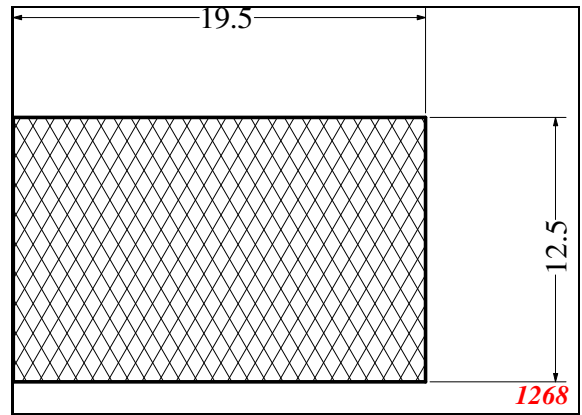
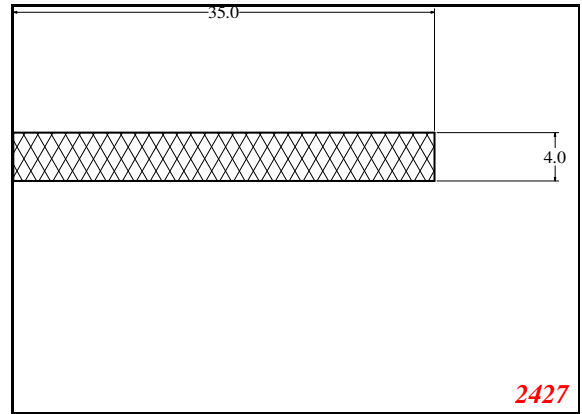
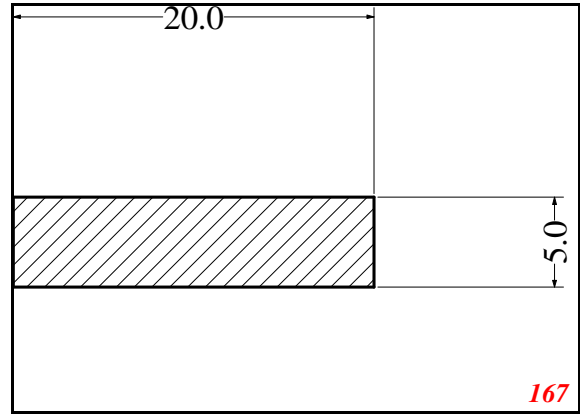
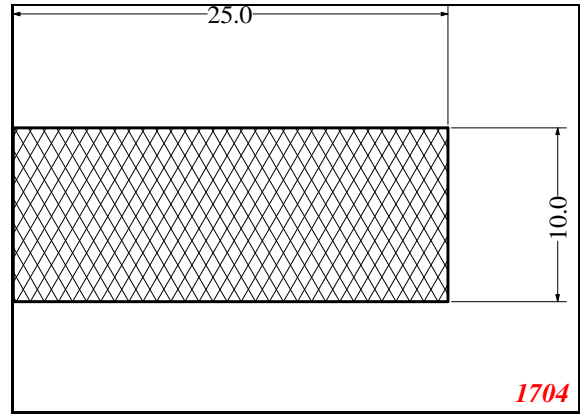
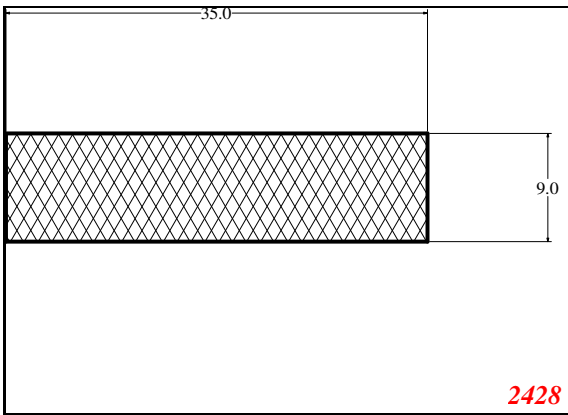
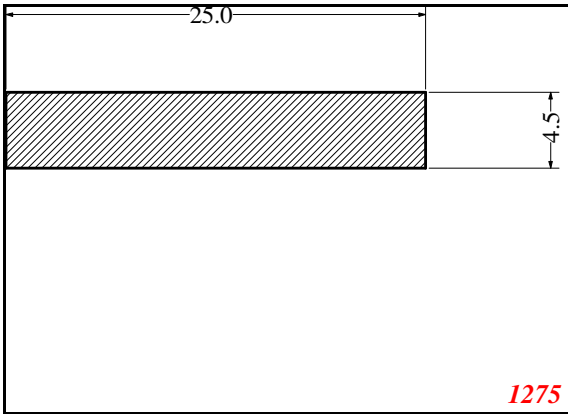
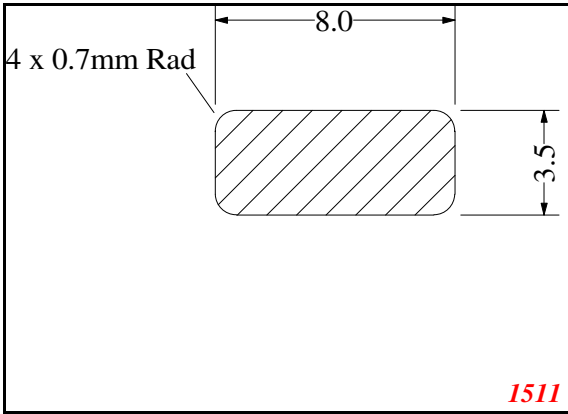
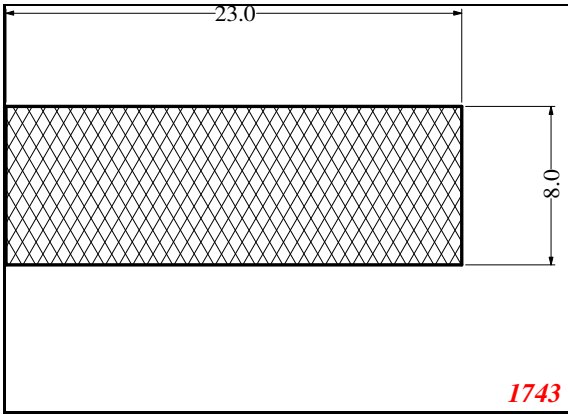




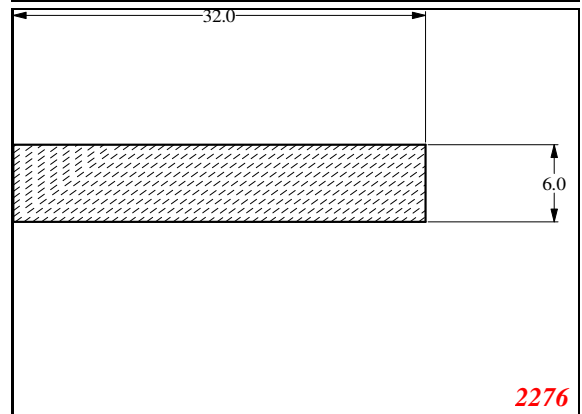
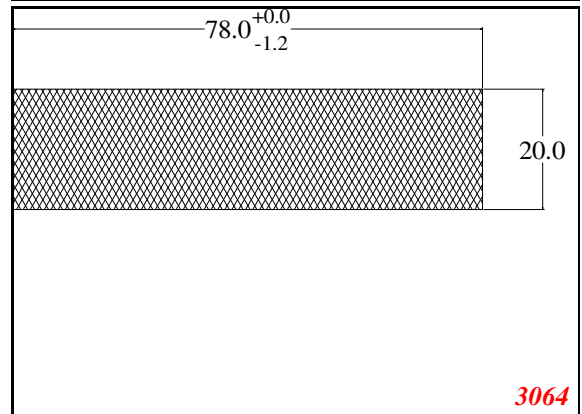
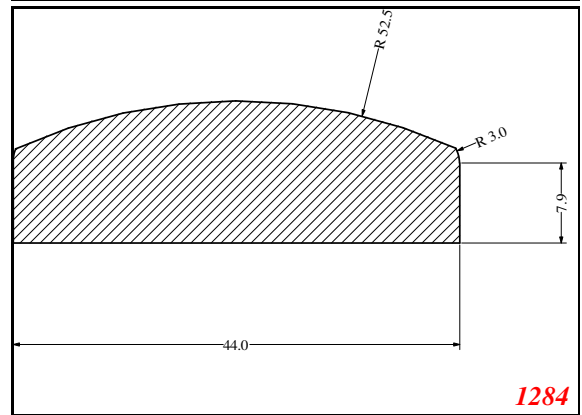
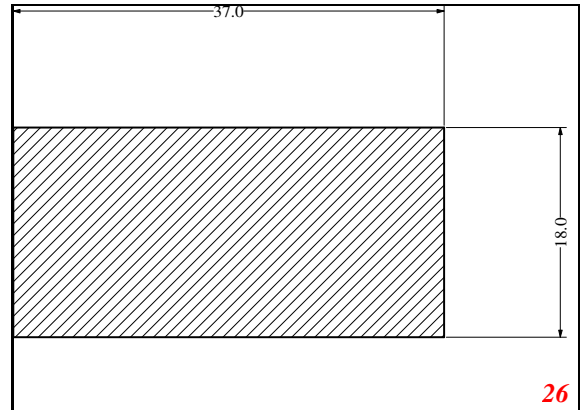
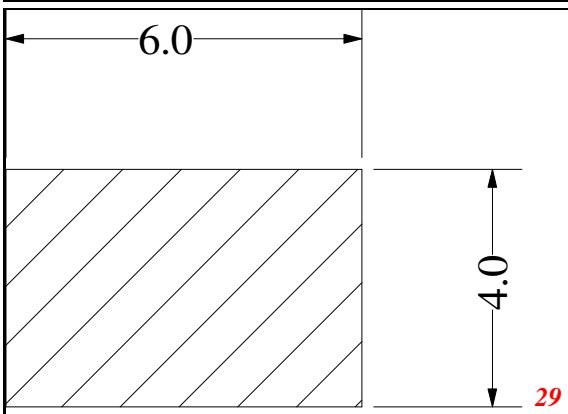
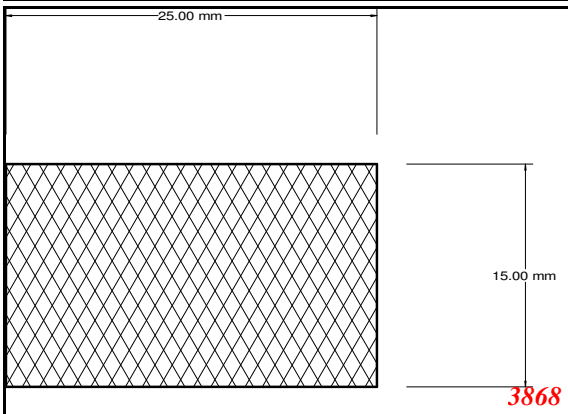
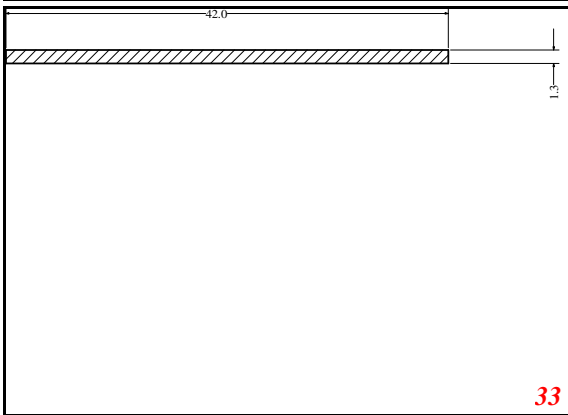
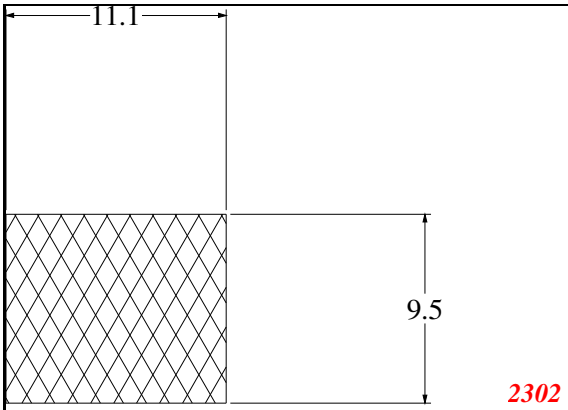
Strip



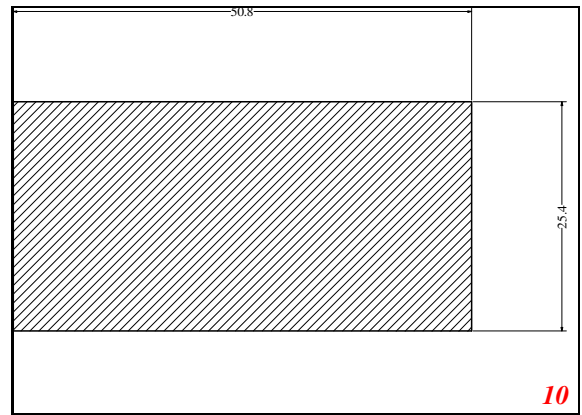
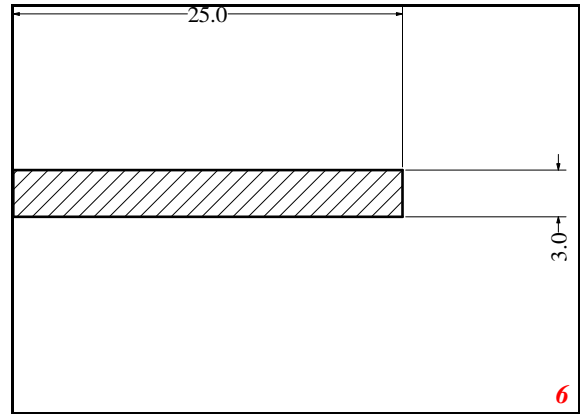
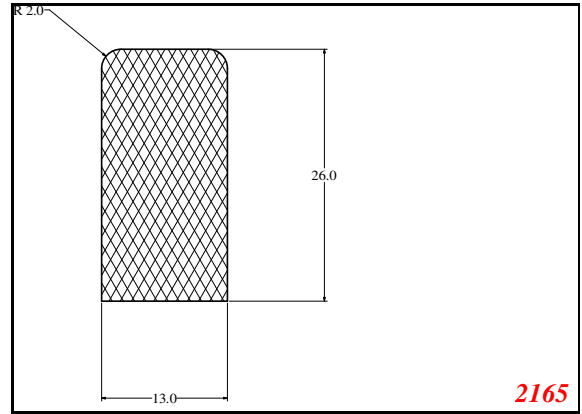
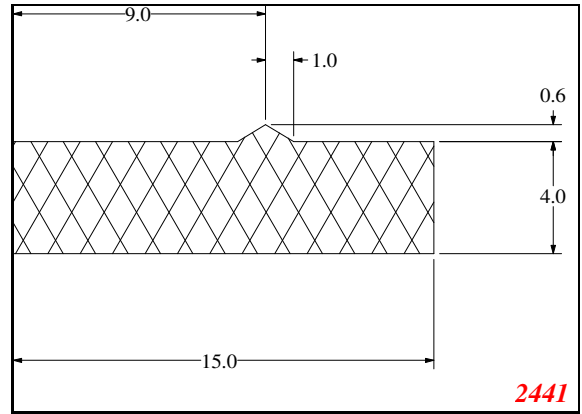
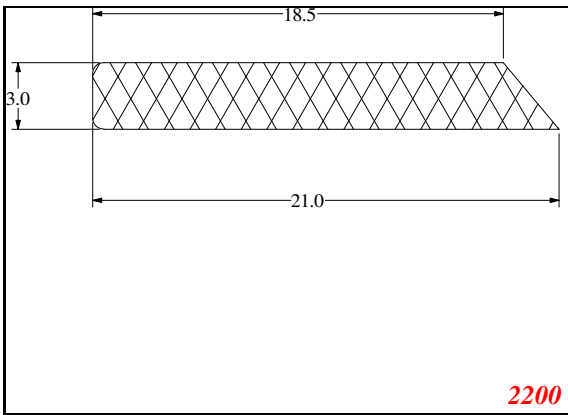
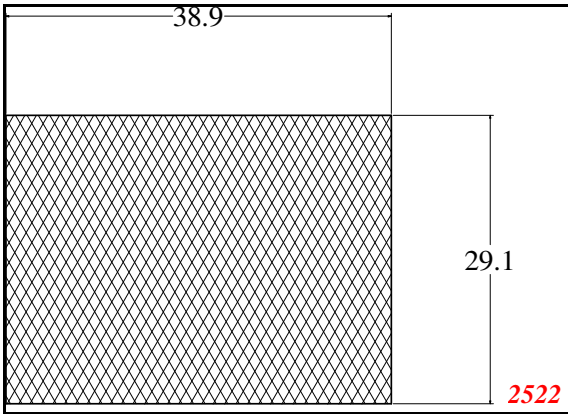
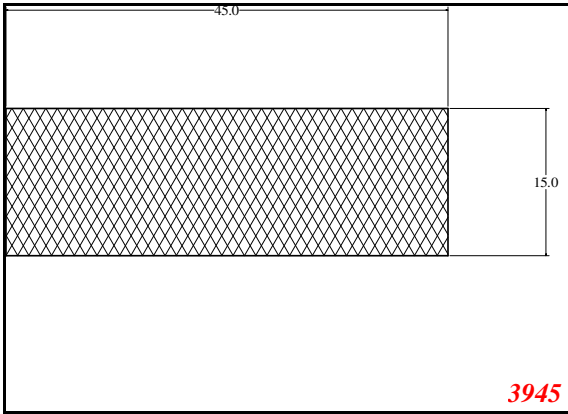
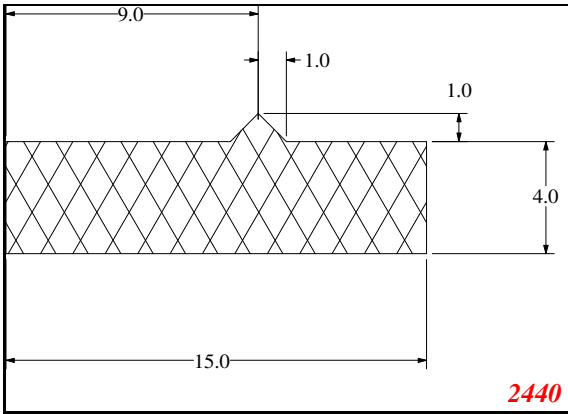
Strip



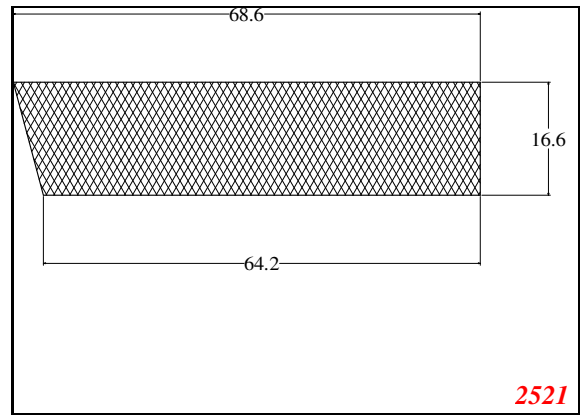
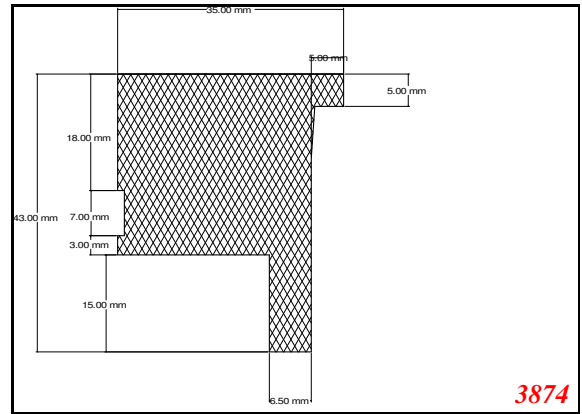
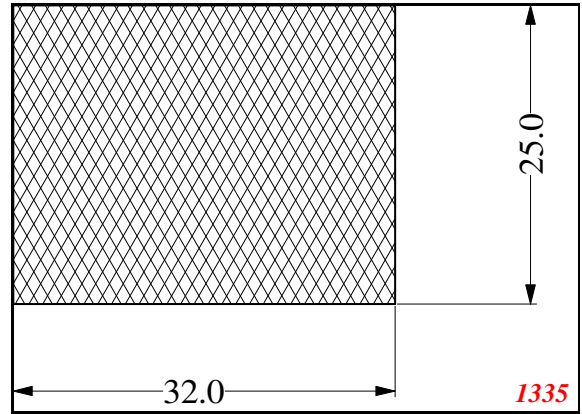
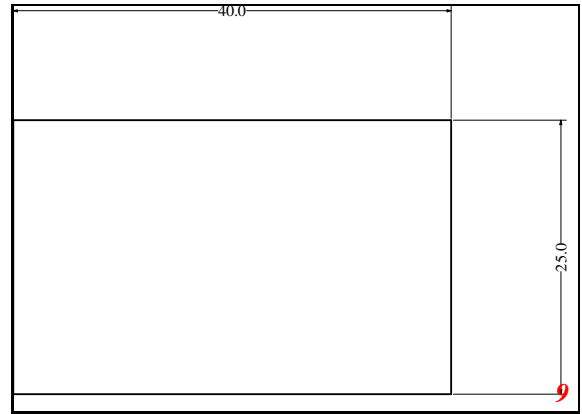
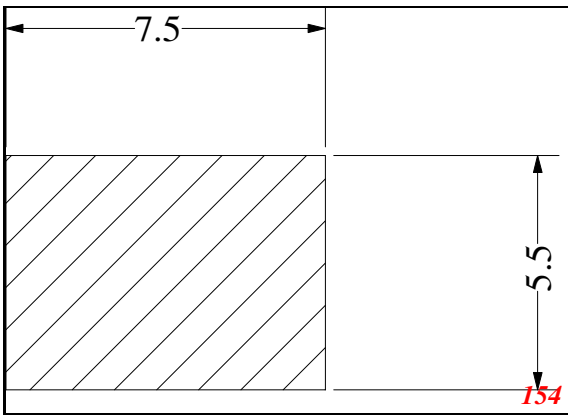
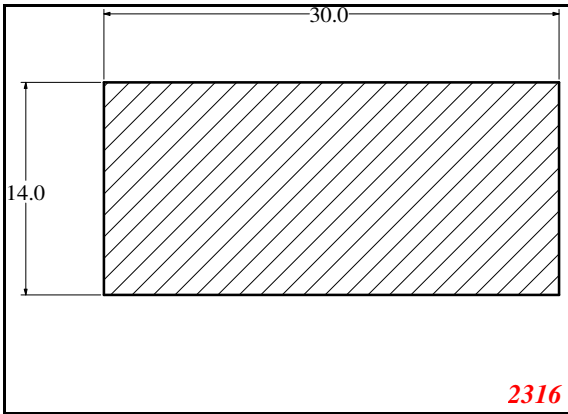
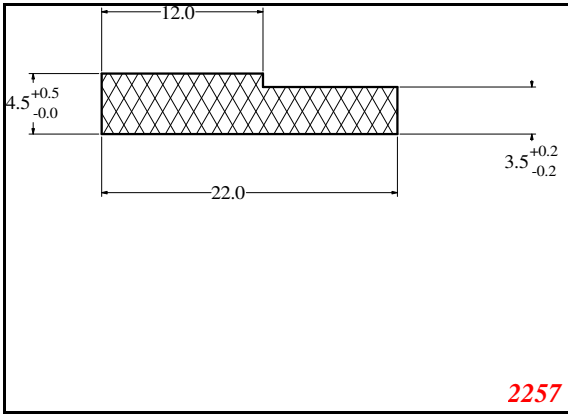
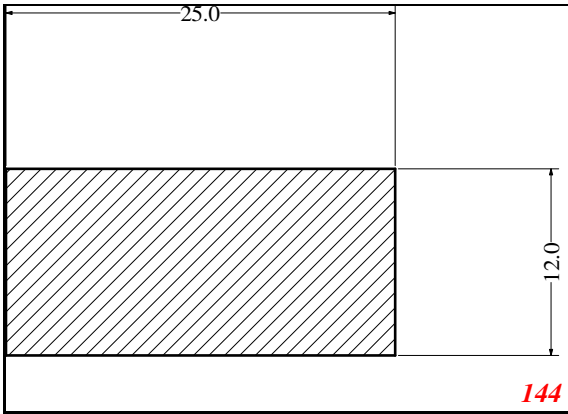
*Strip*



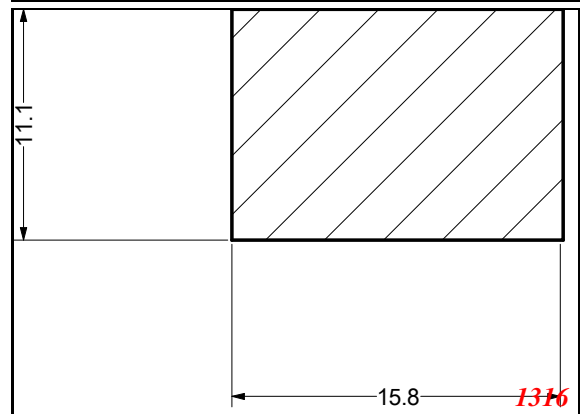
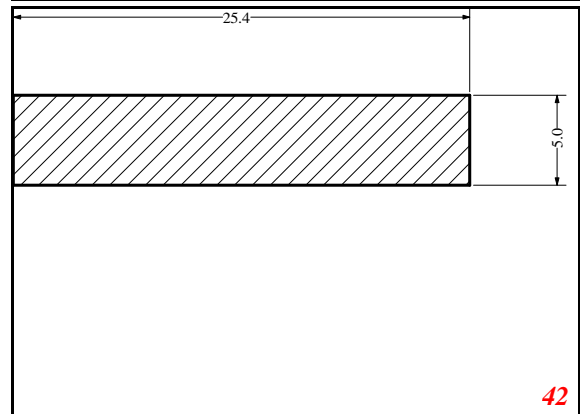
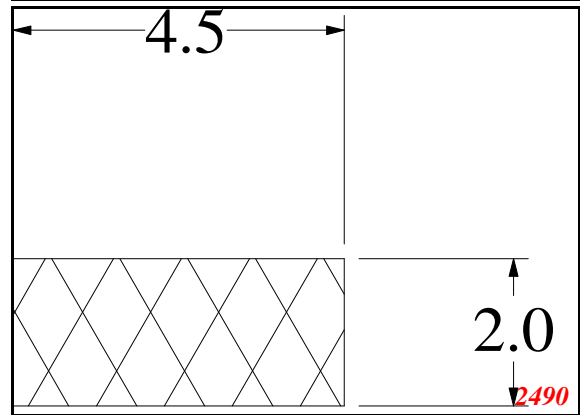
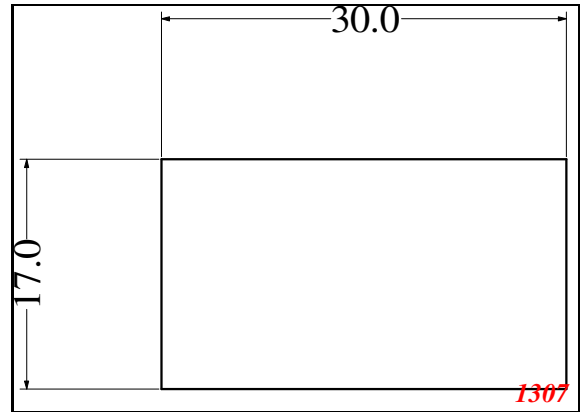
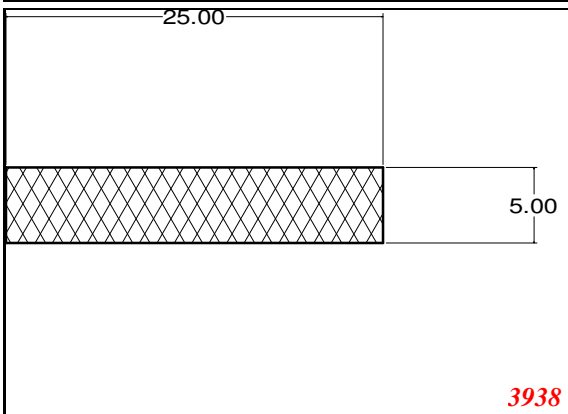
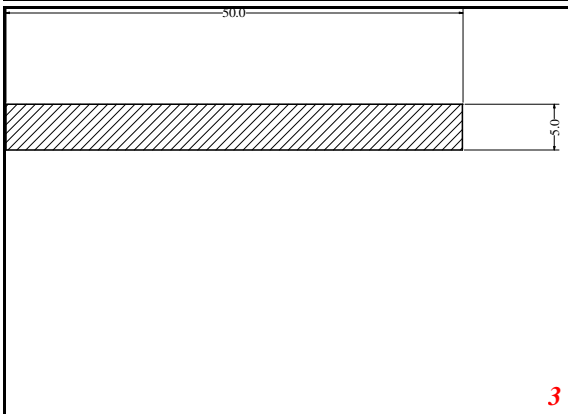
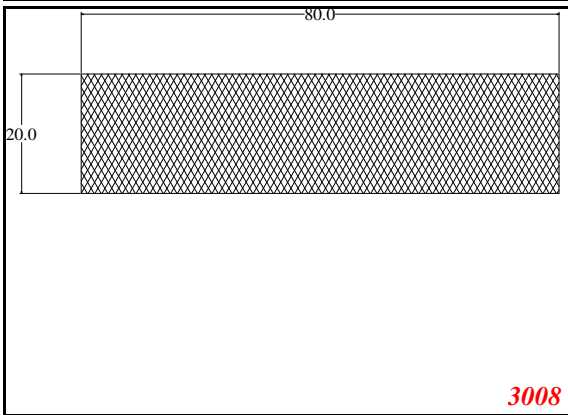
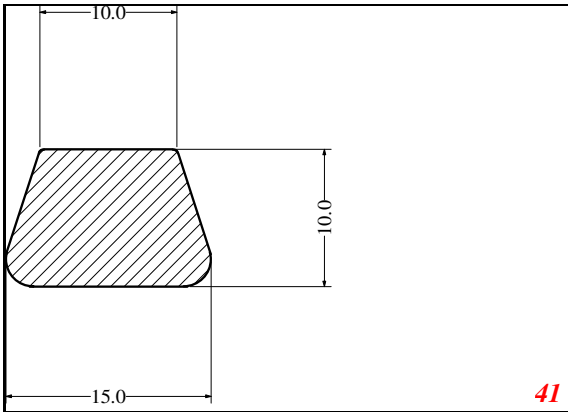
**Strip**



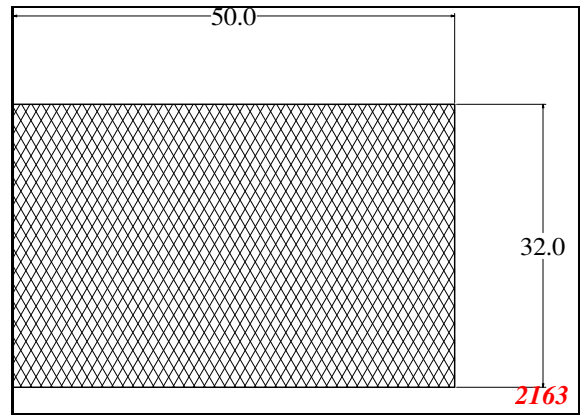
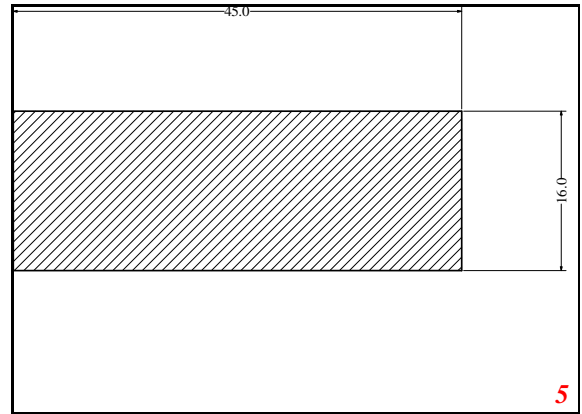
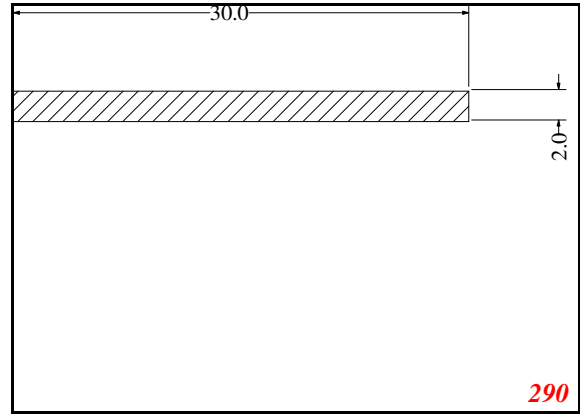
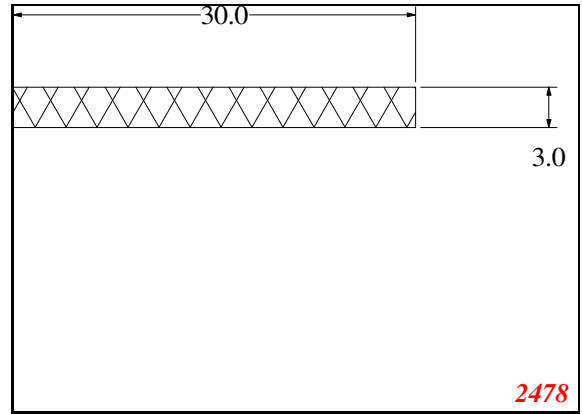
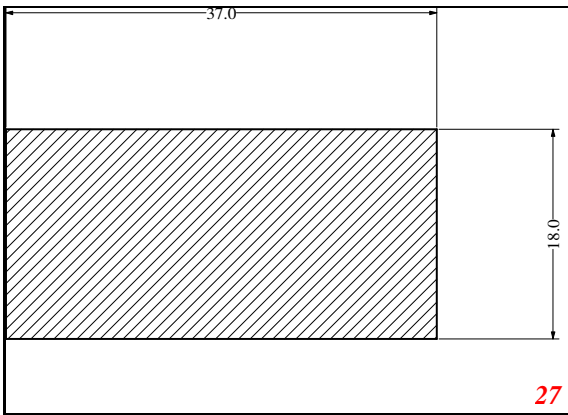
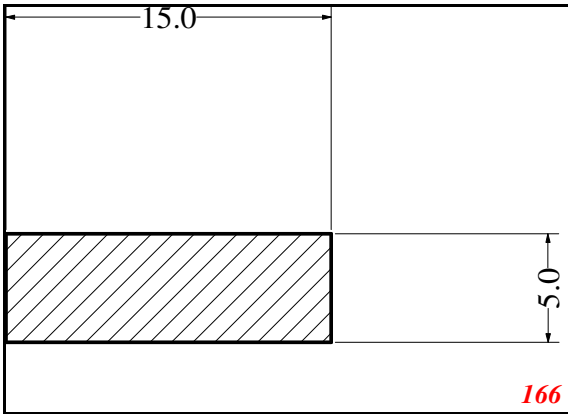
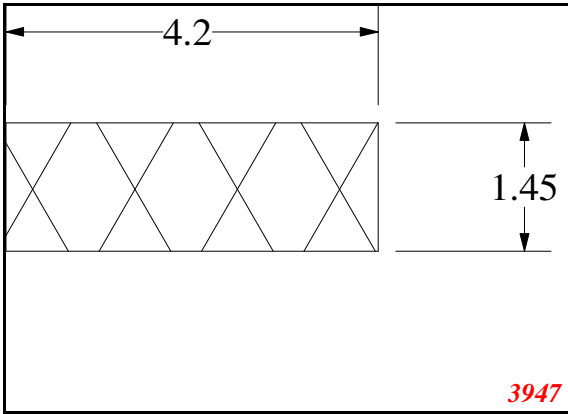
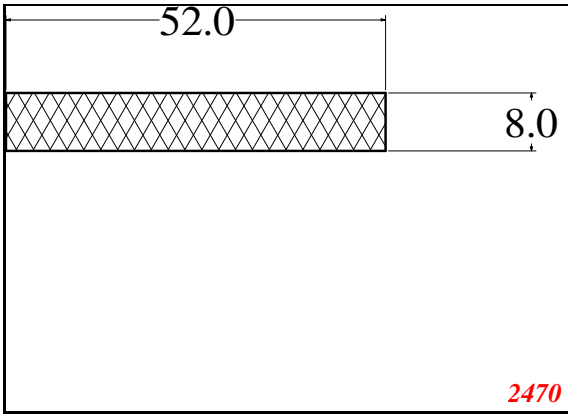
Strip



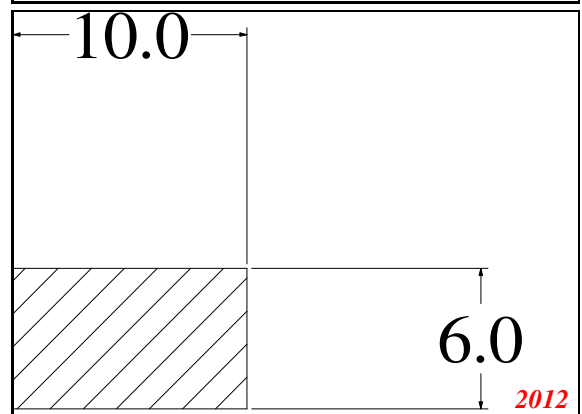
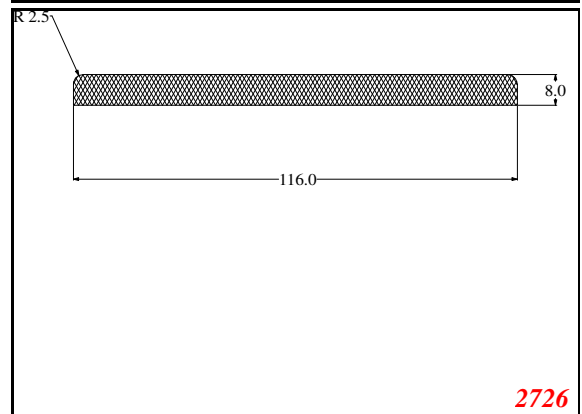
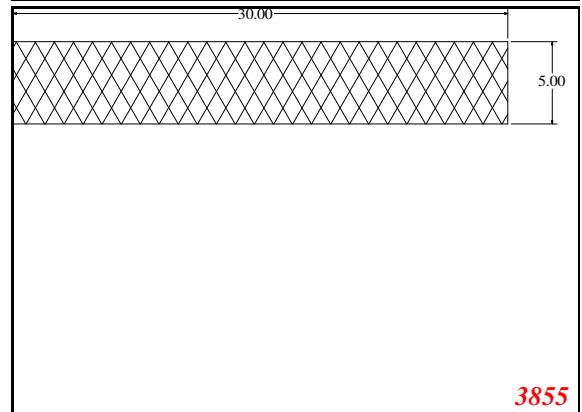
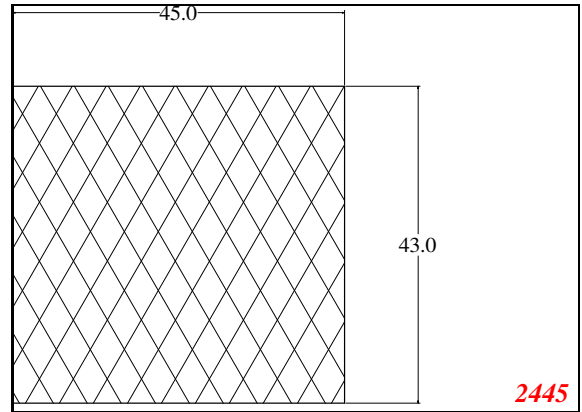
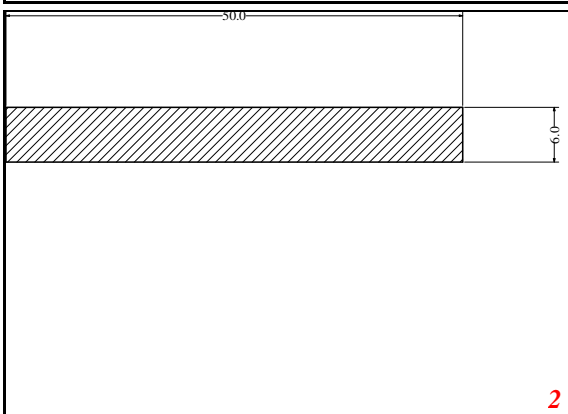
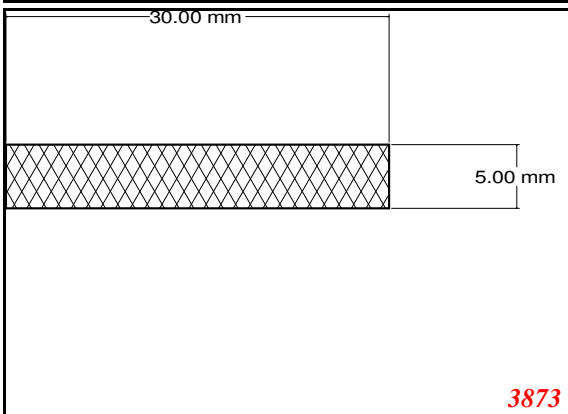
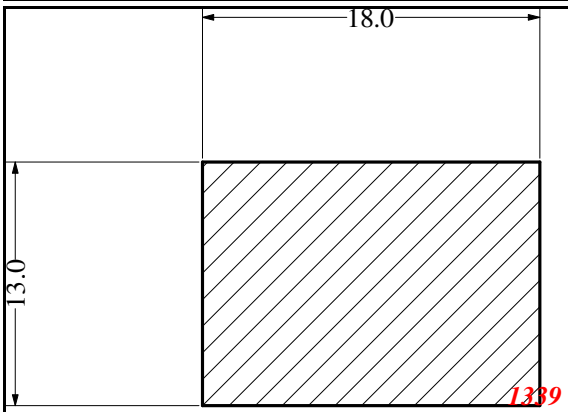
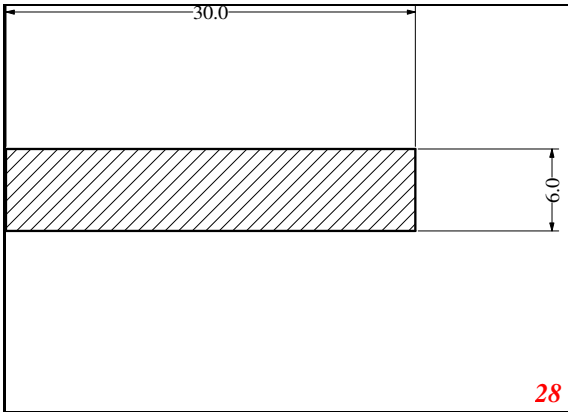
*Strip*



Strip

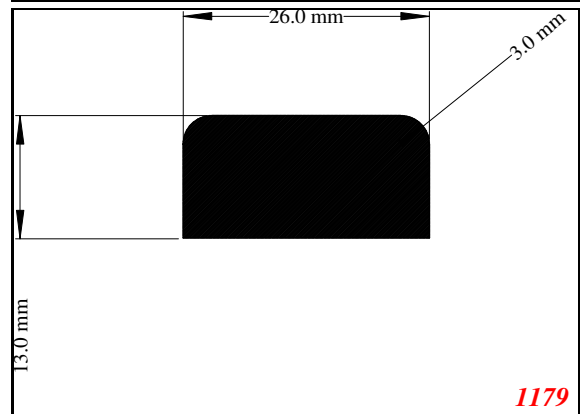
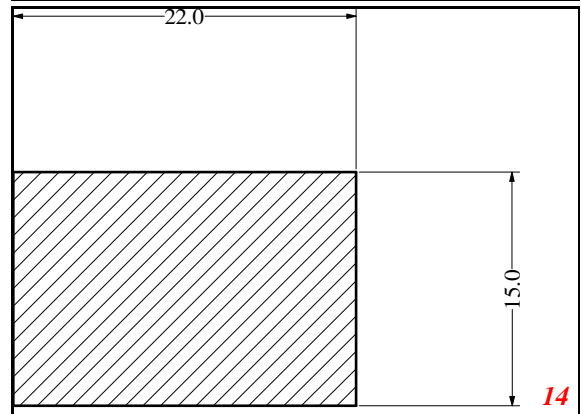
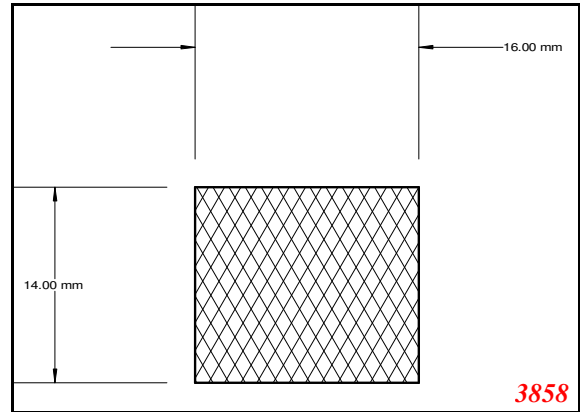
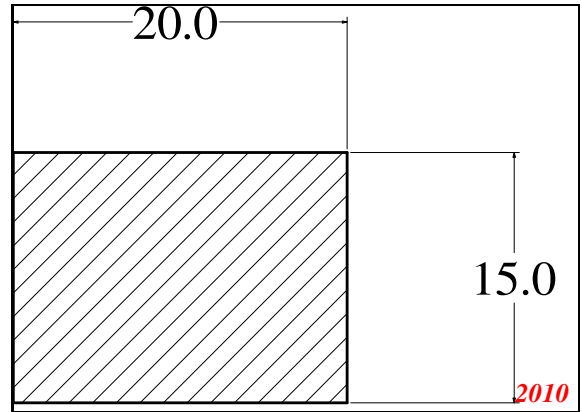
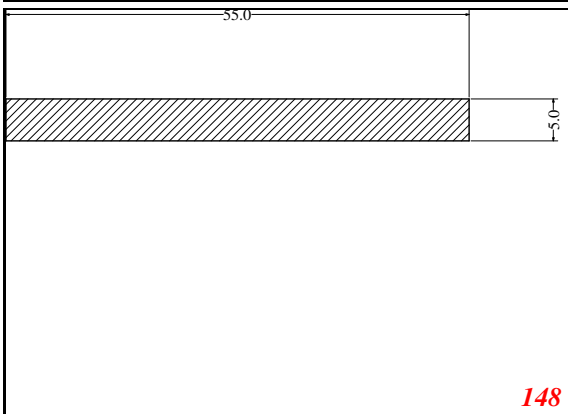
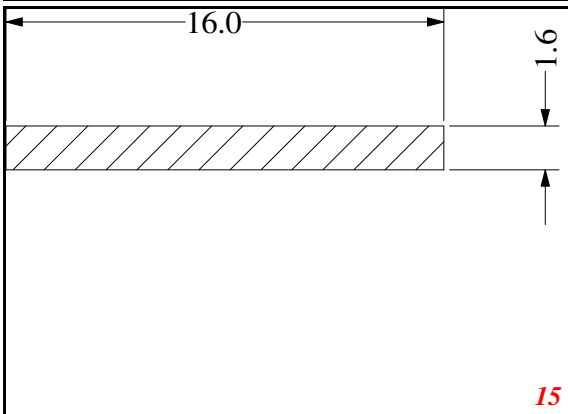
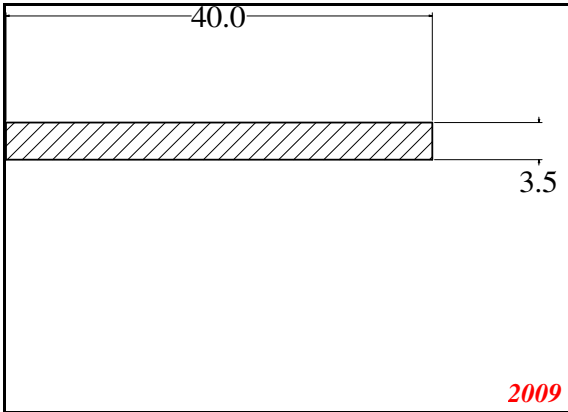
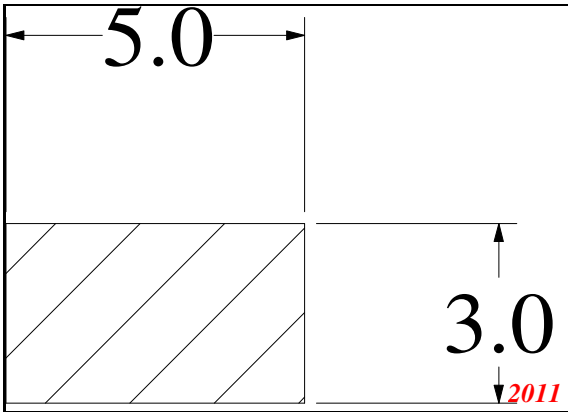


*Strip*

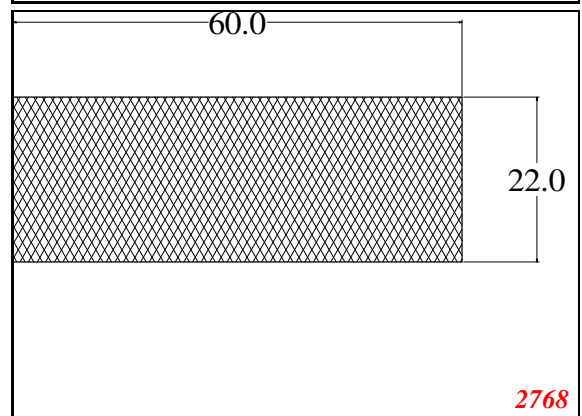
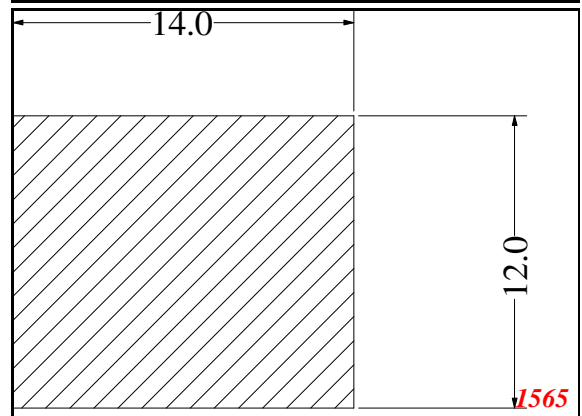
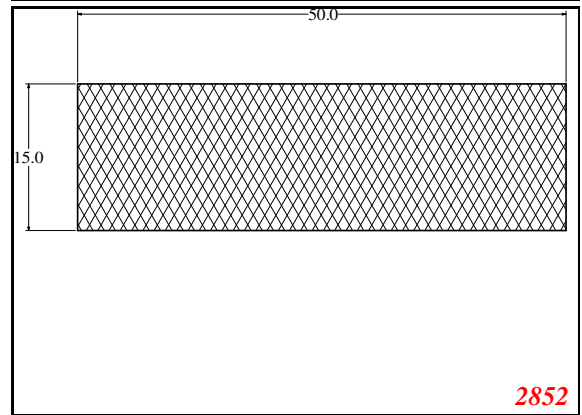
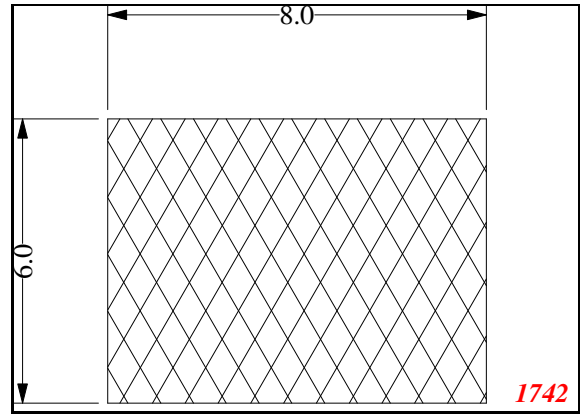
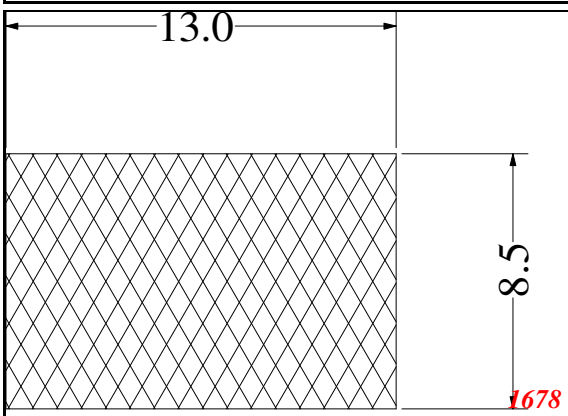
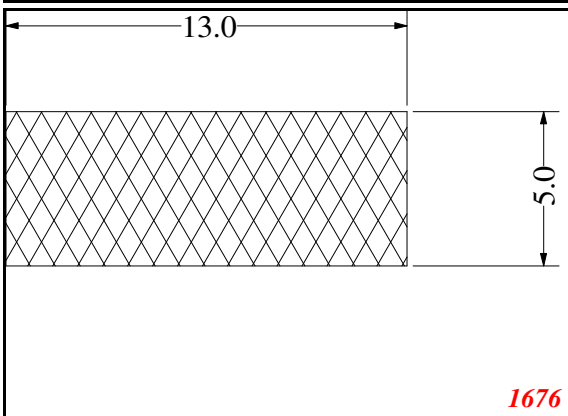
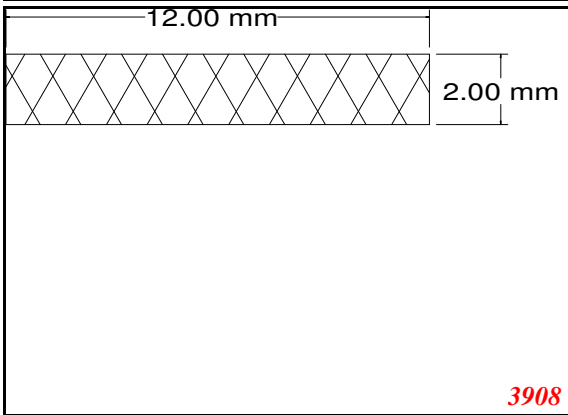
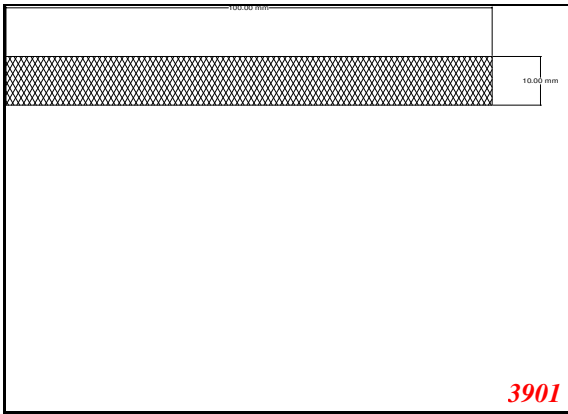




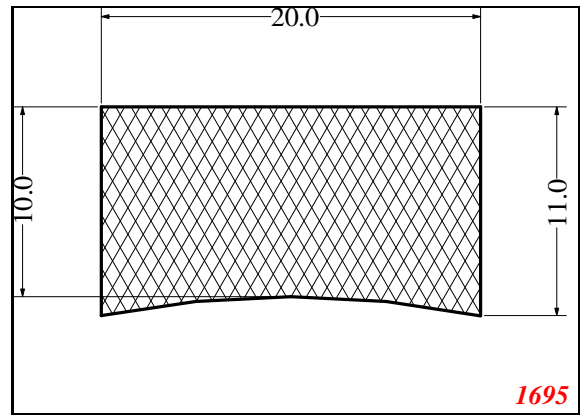
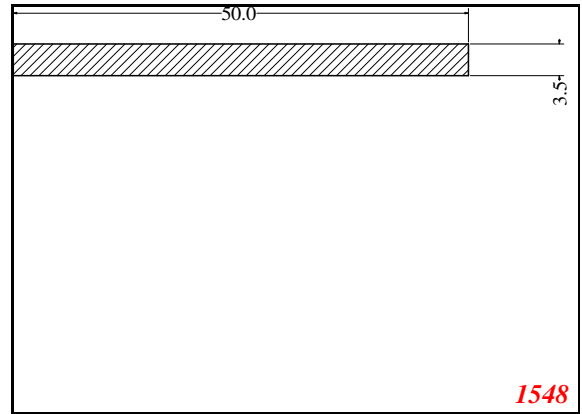
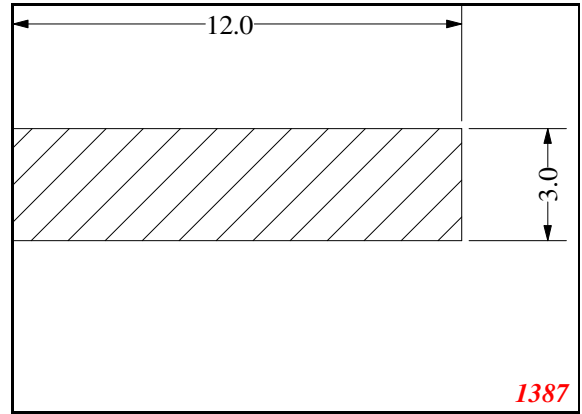
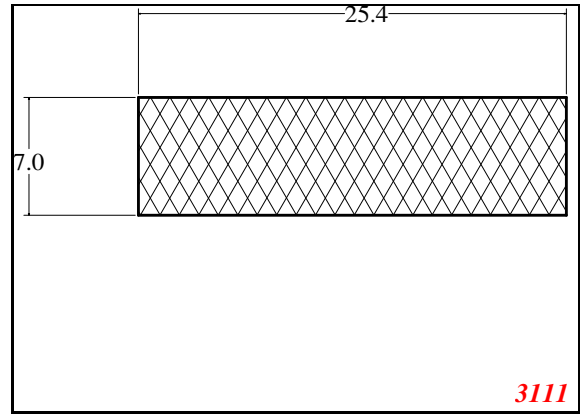
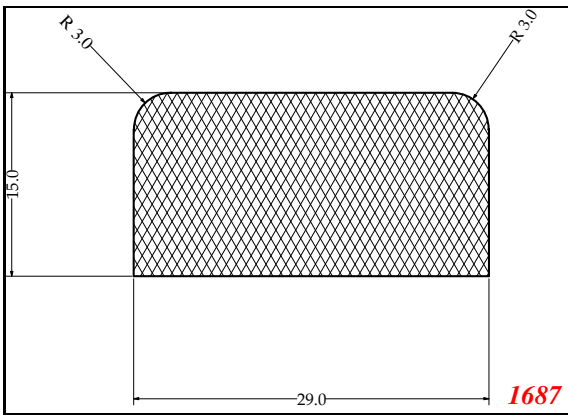
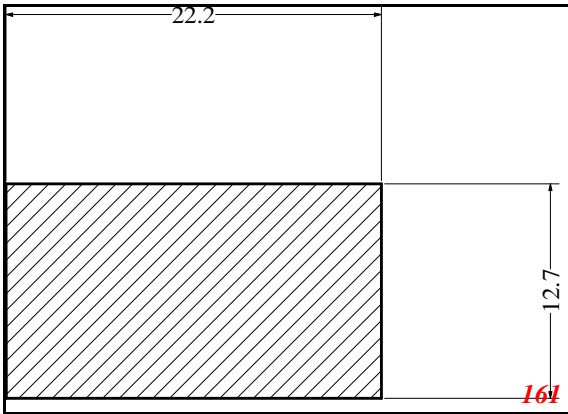
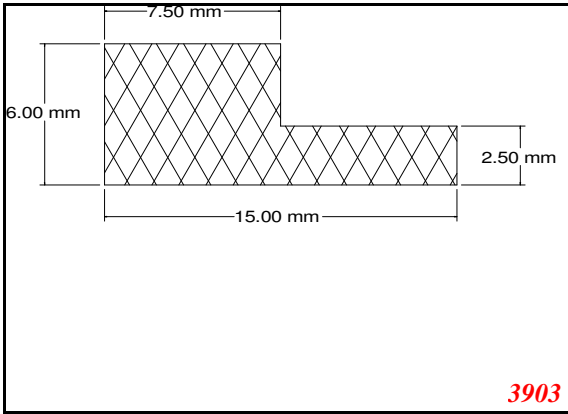
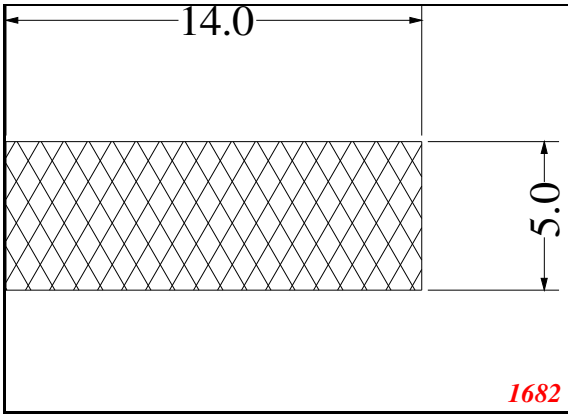
Strip



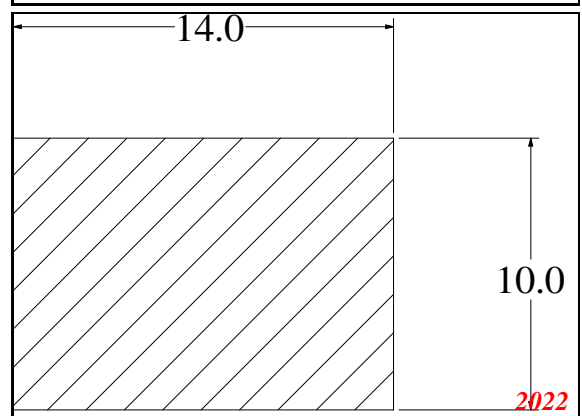
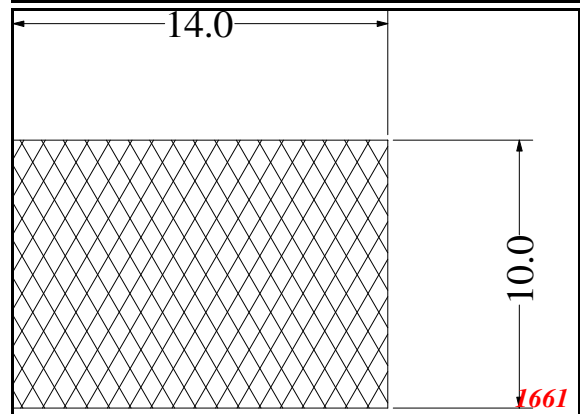
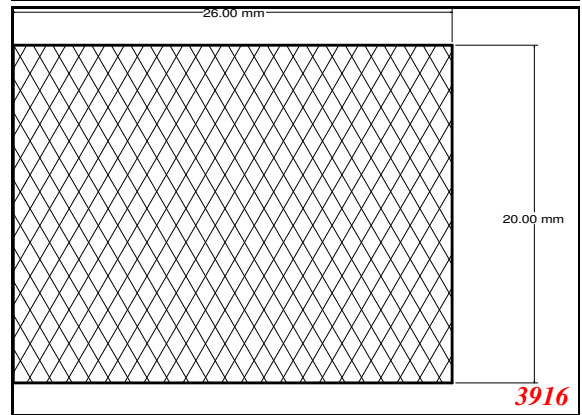
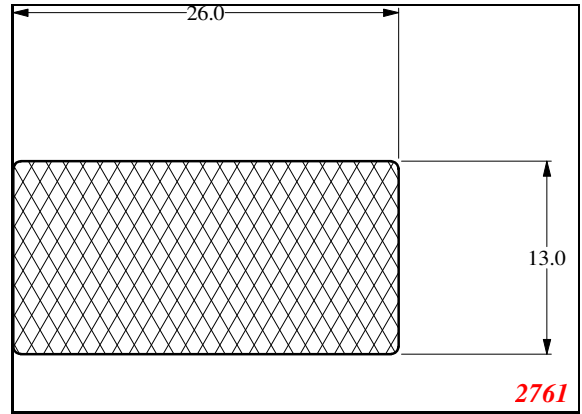
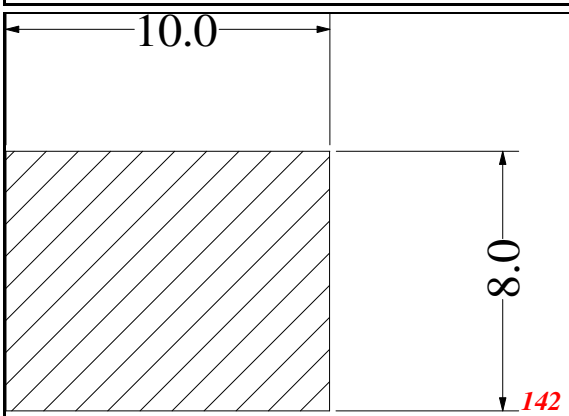
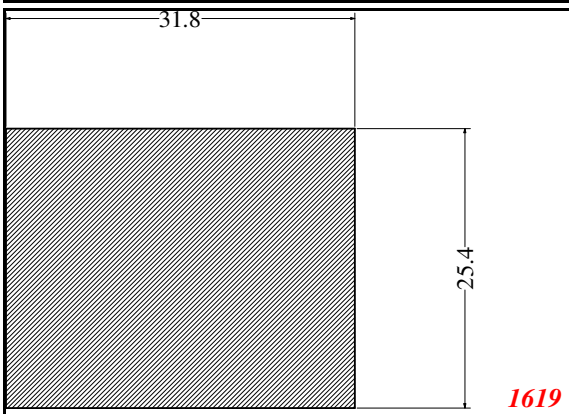
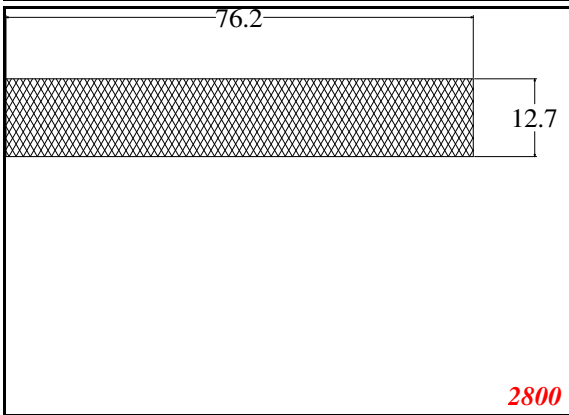
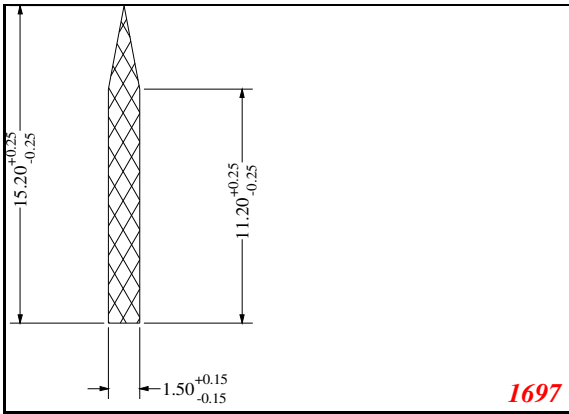
*Strip*



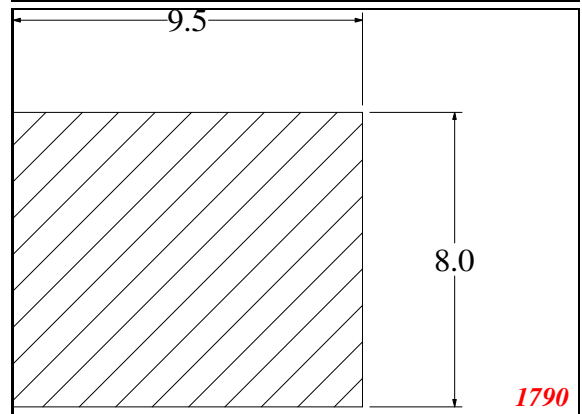
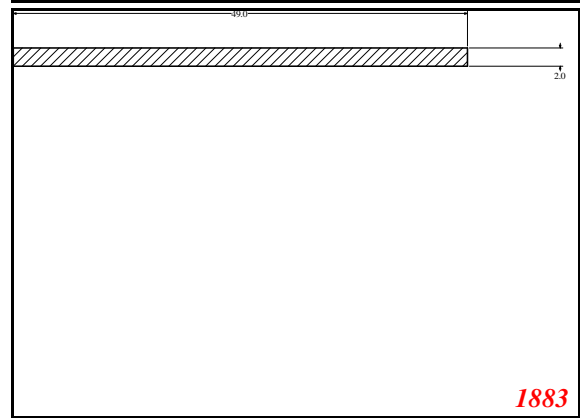
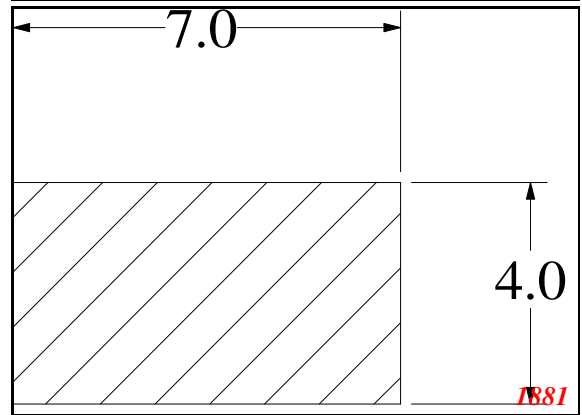
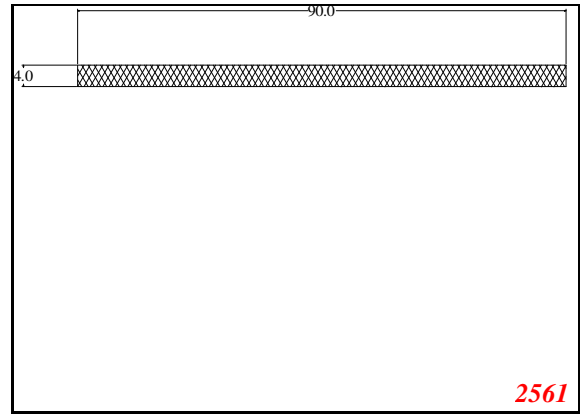
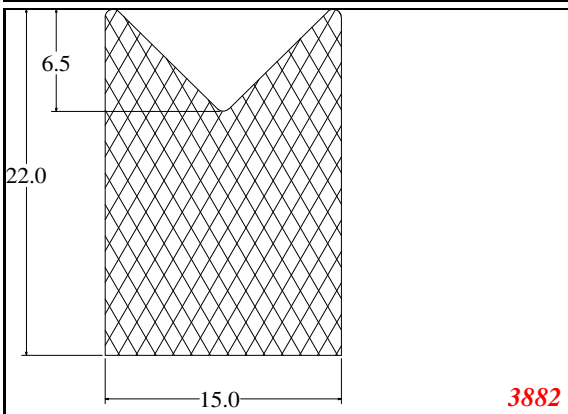
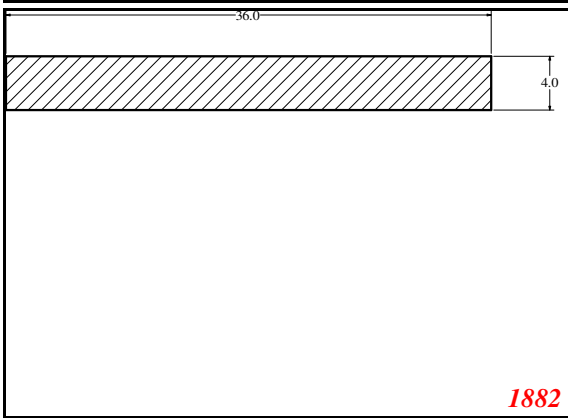
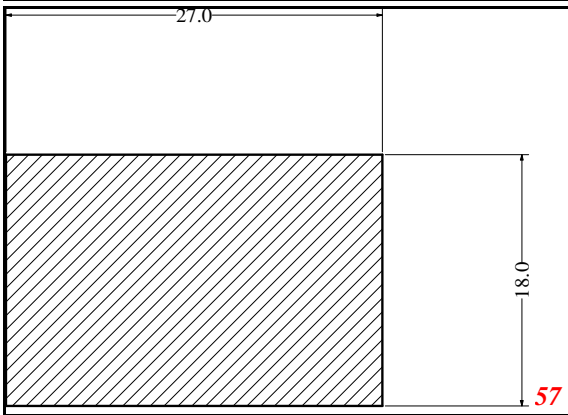
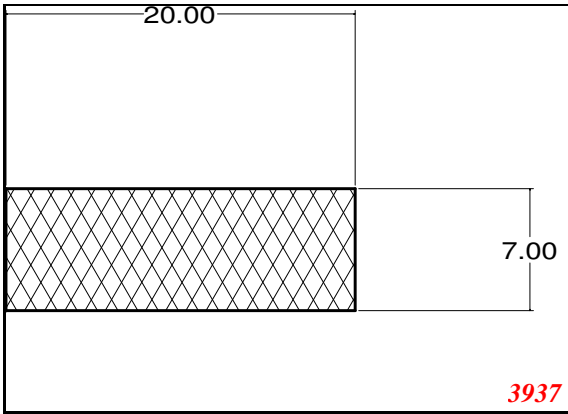
Strip



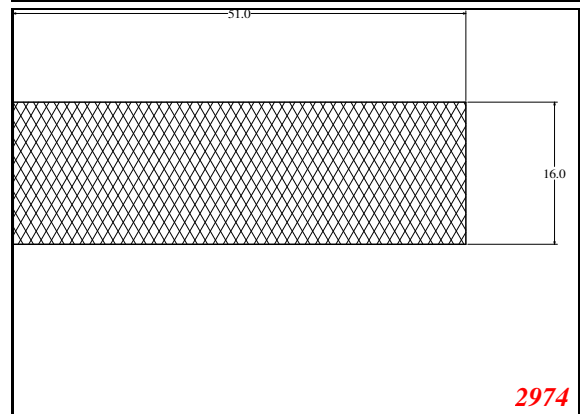
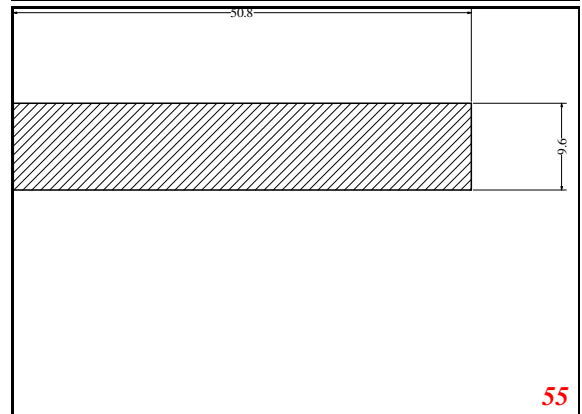
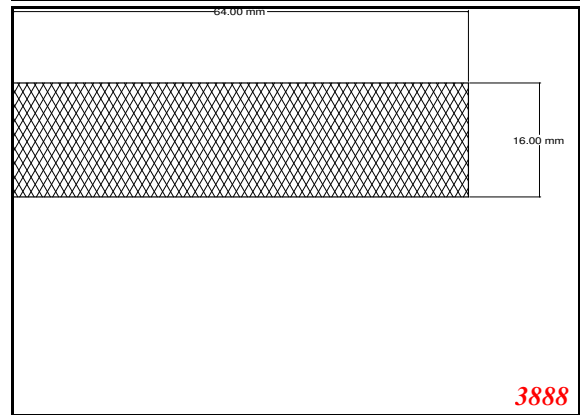
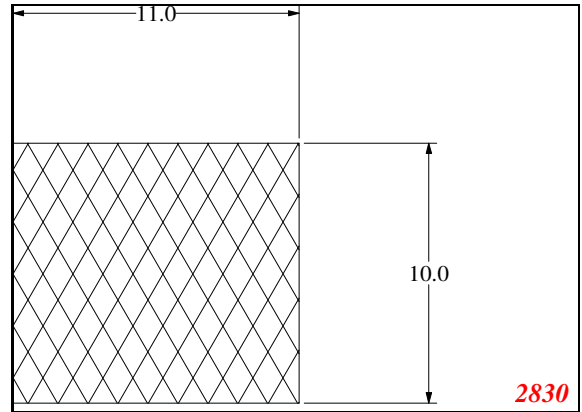
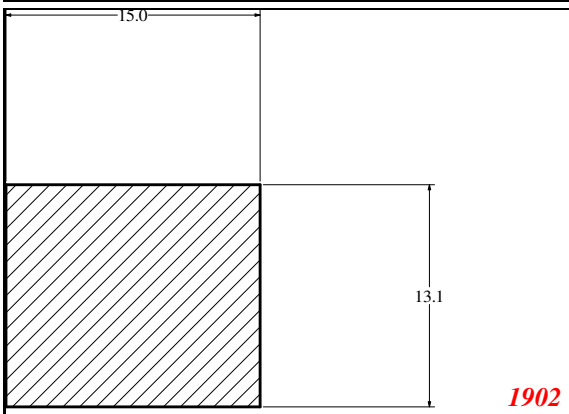
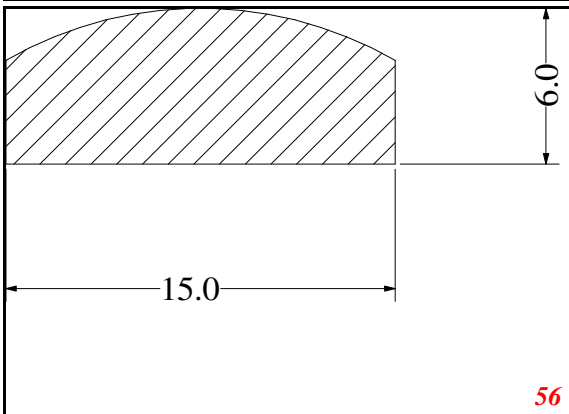
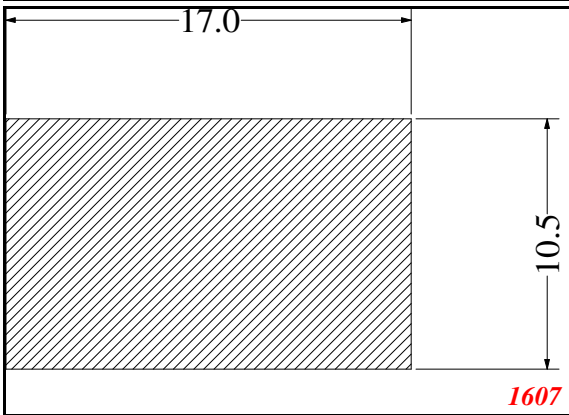
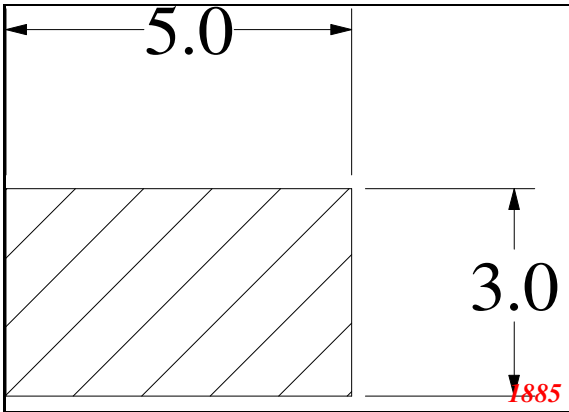
**Strip**



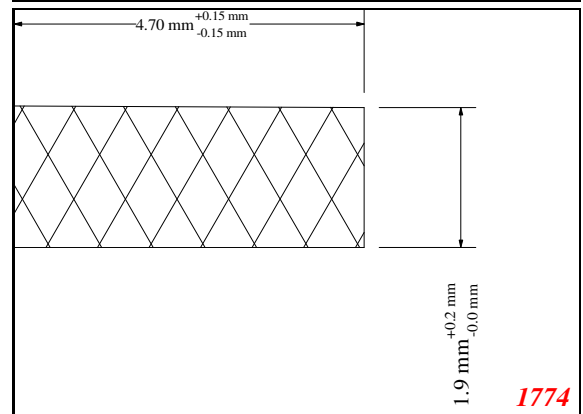
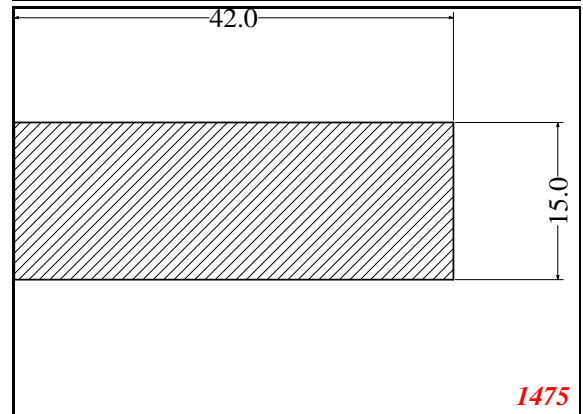
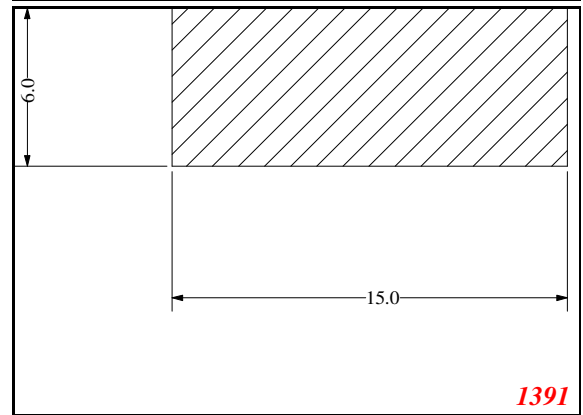
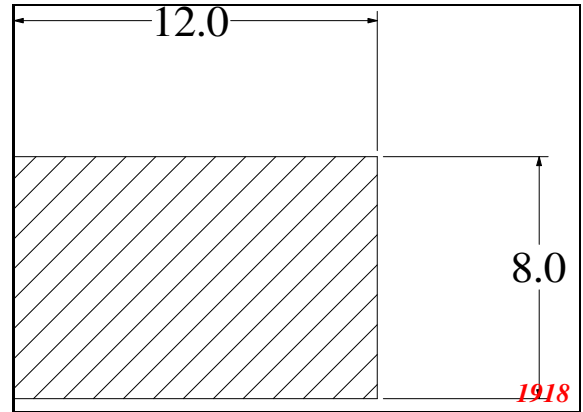
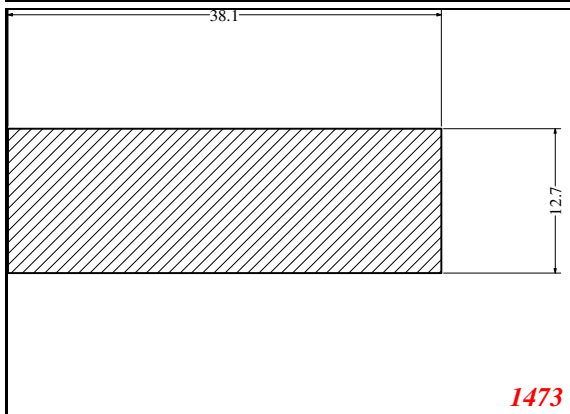
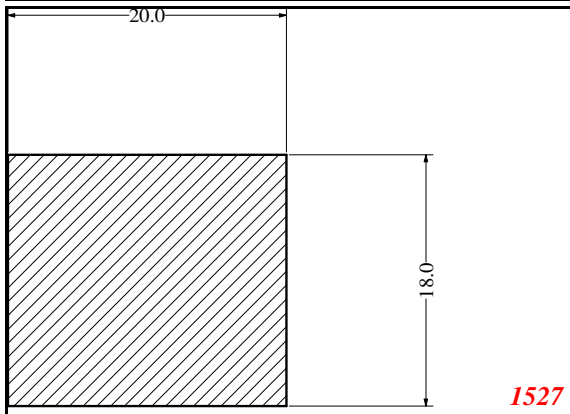
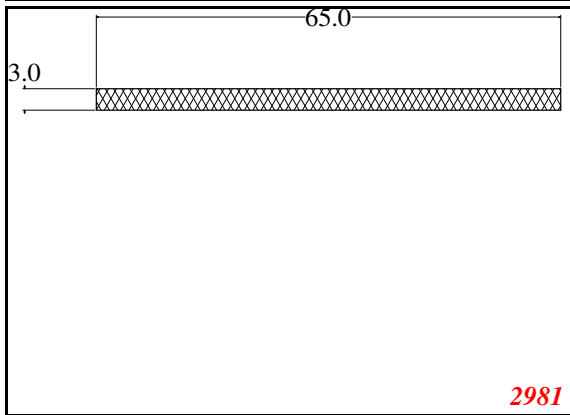
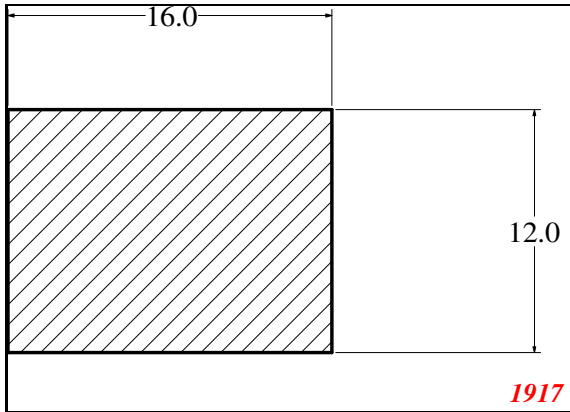
Strip



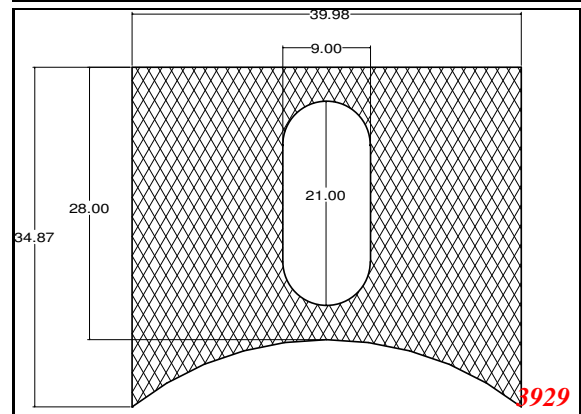
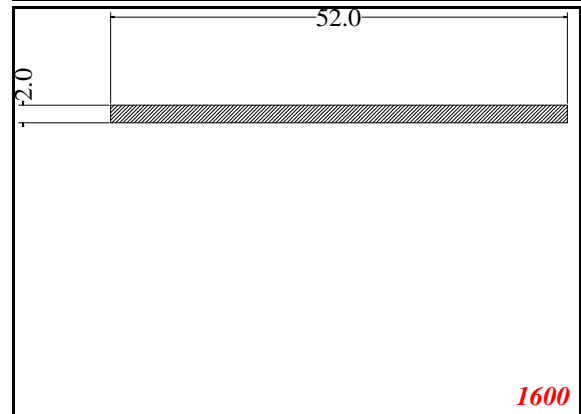
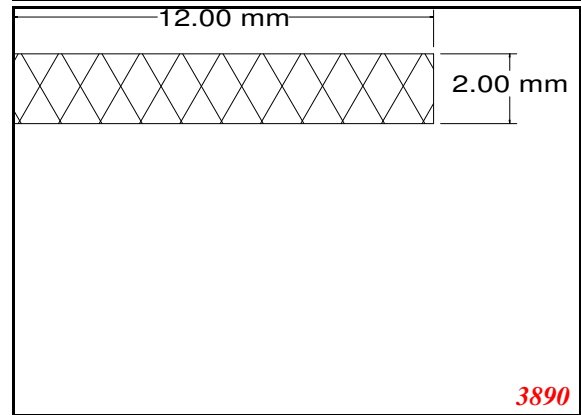
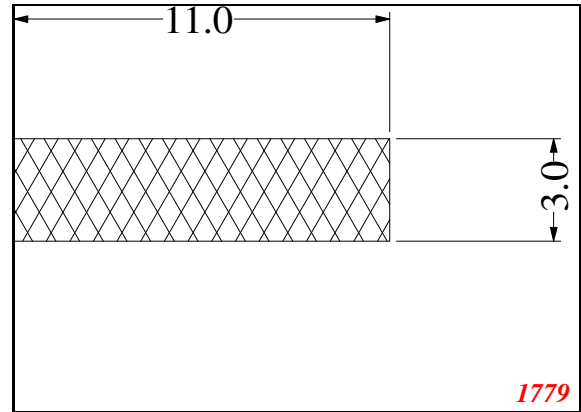
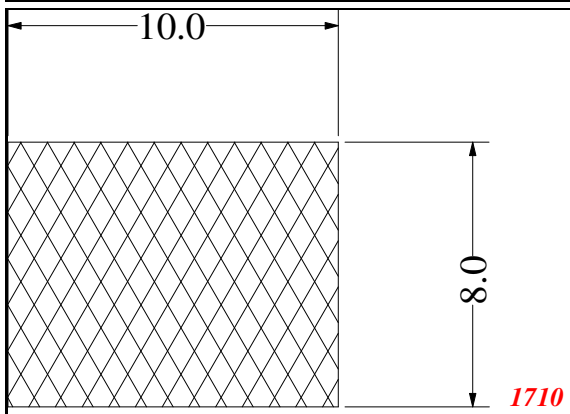
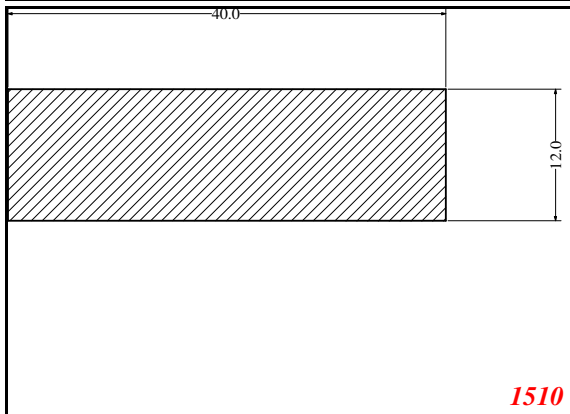
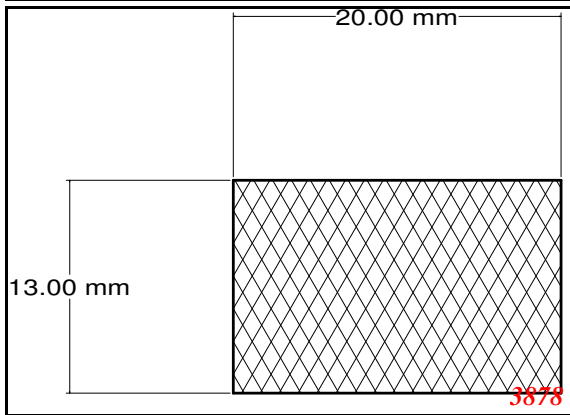
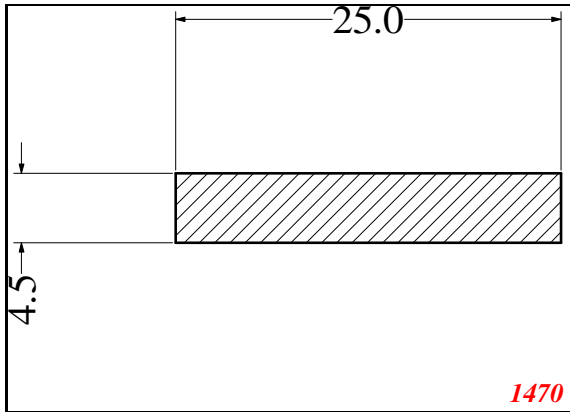
*Strip*



Strip

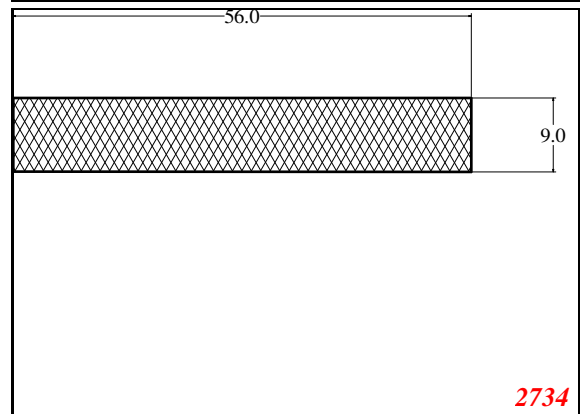
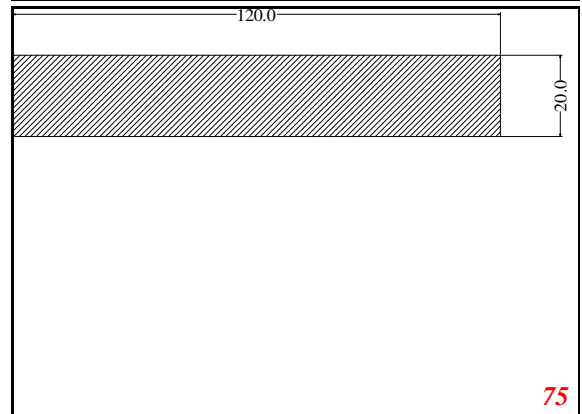
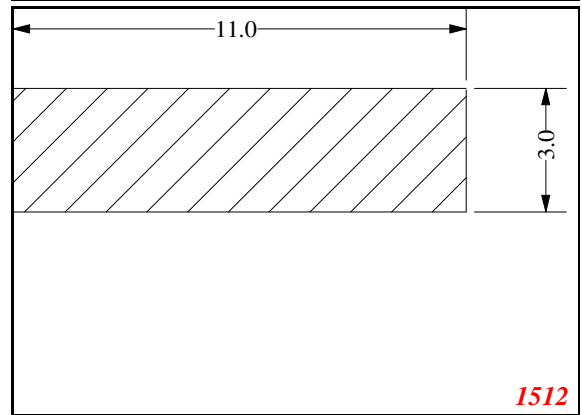
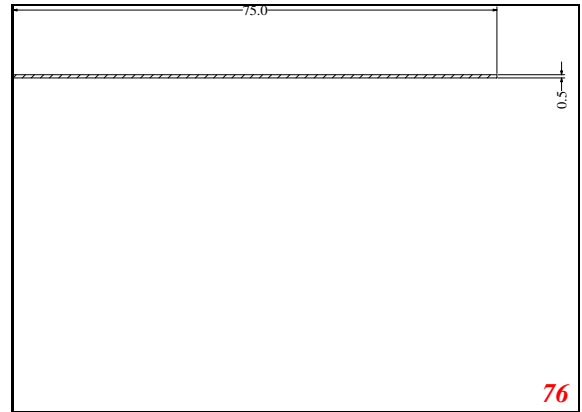
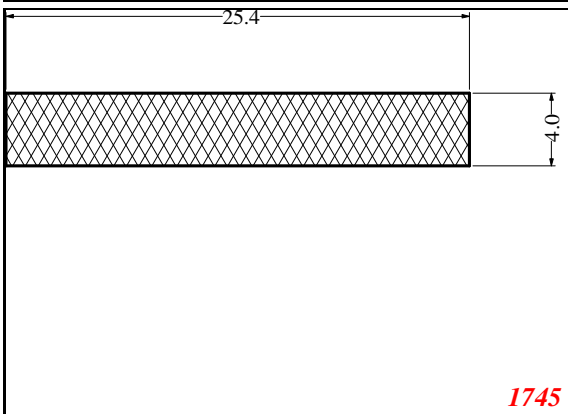
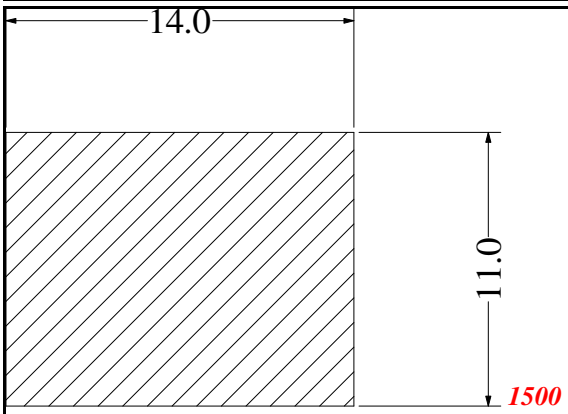
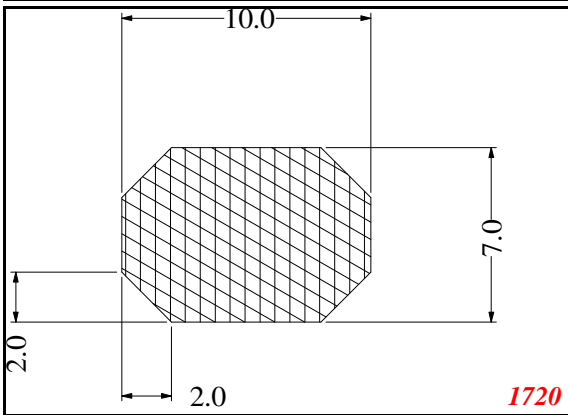
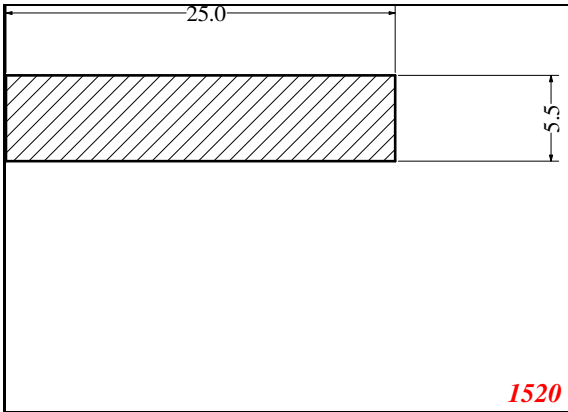


Strip

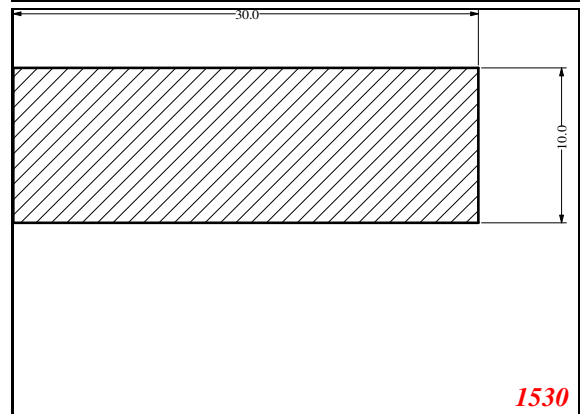
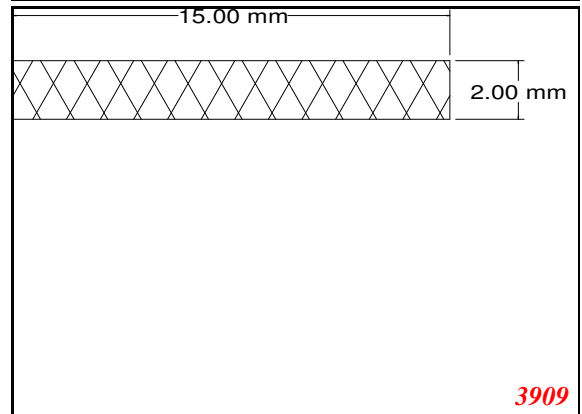
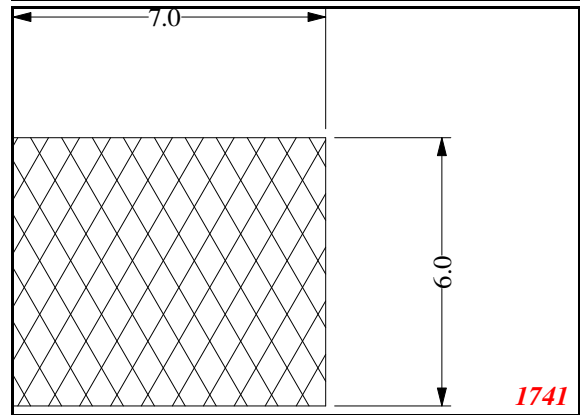
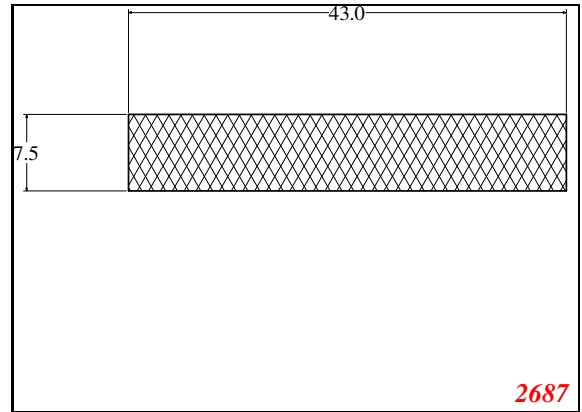
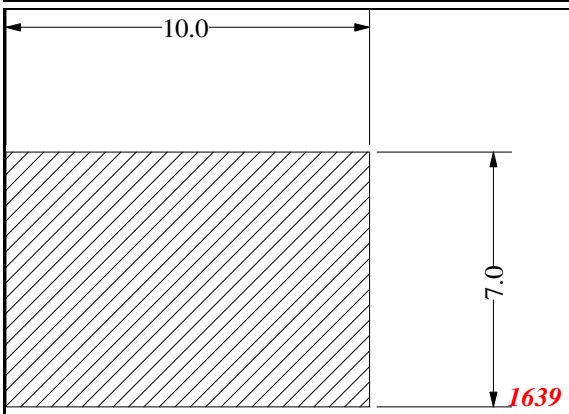
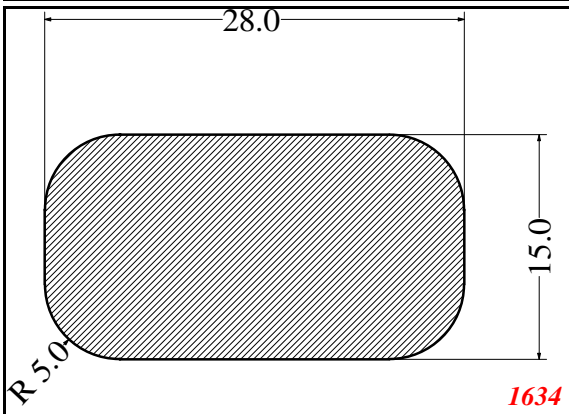
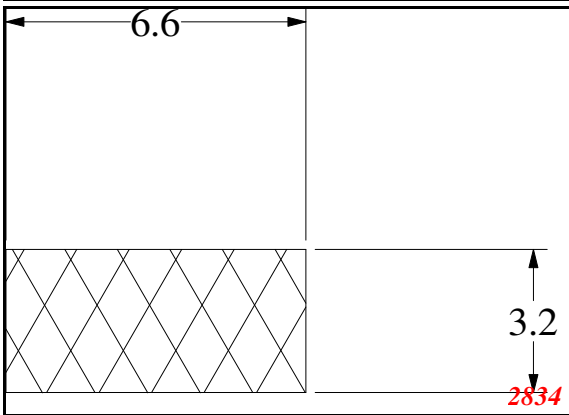
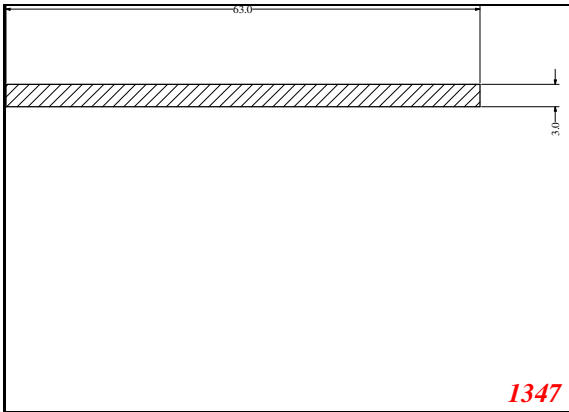




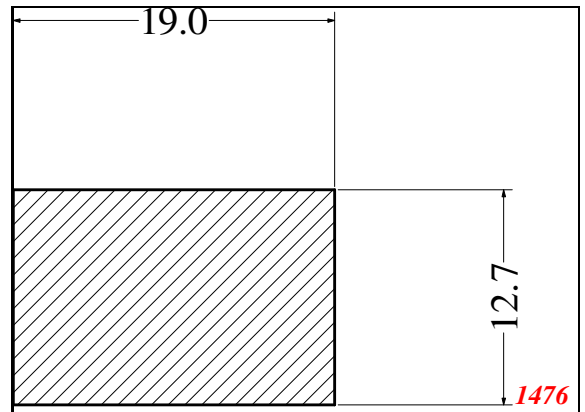
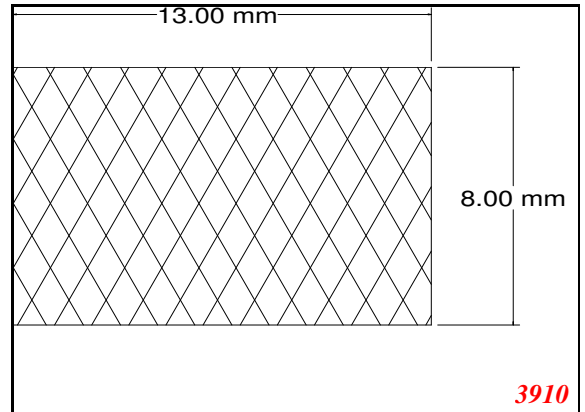
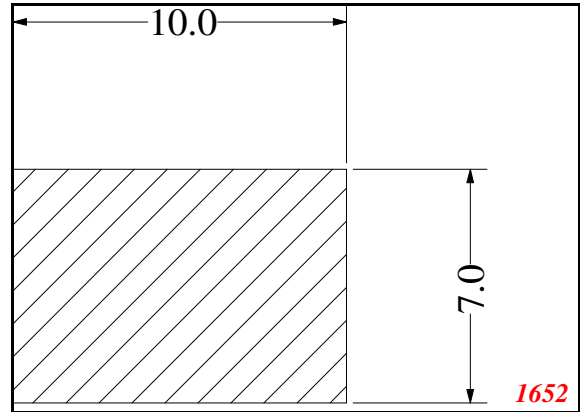
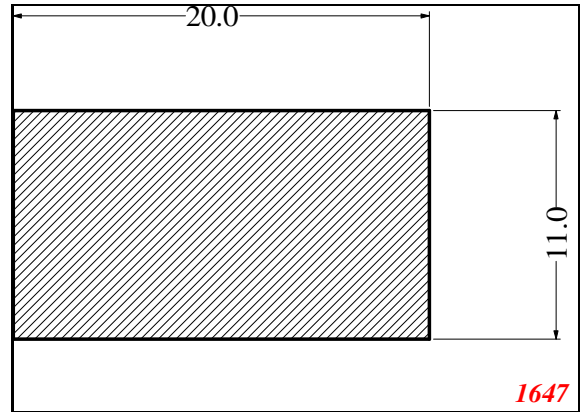
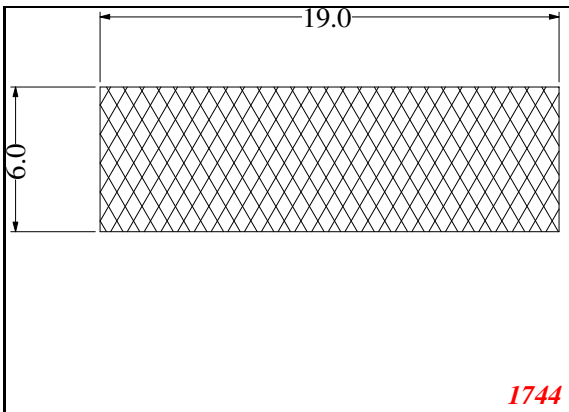
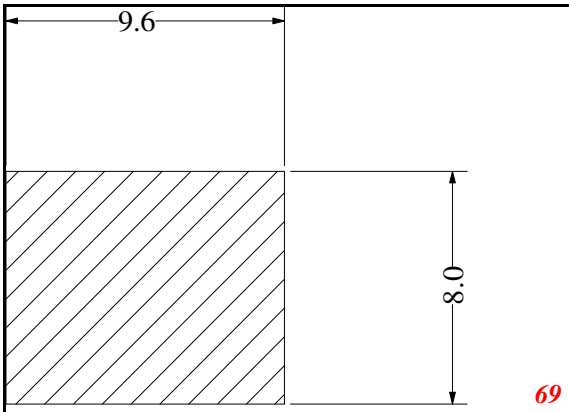
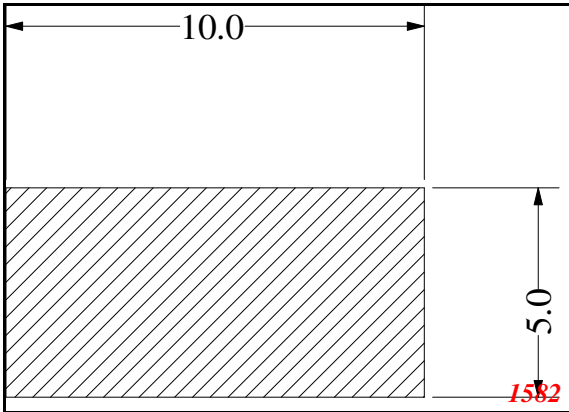
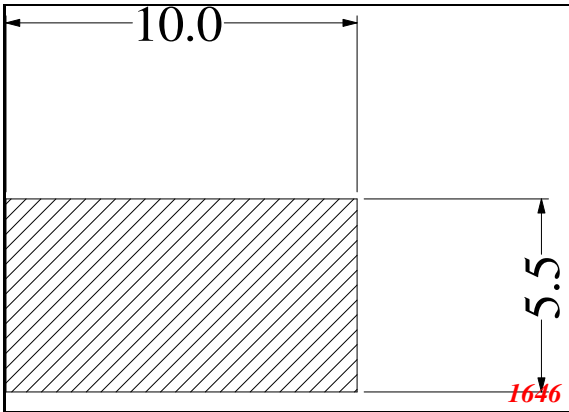
*Strip*



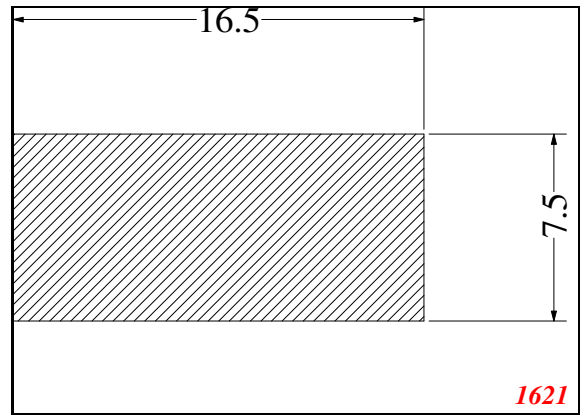
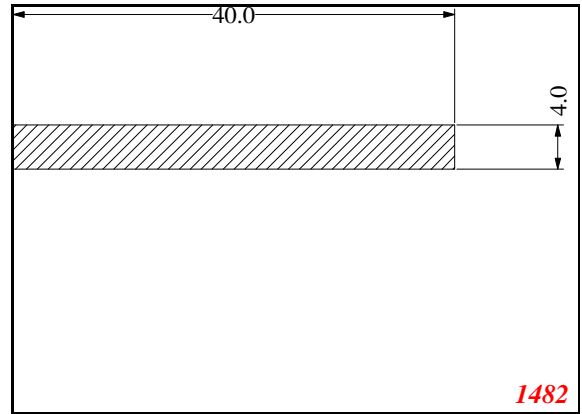
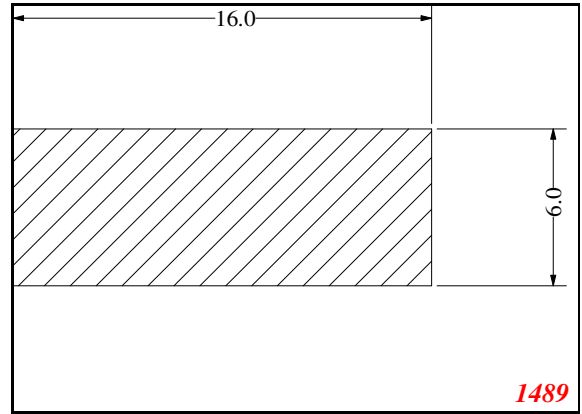
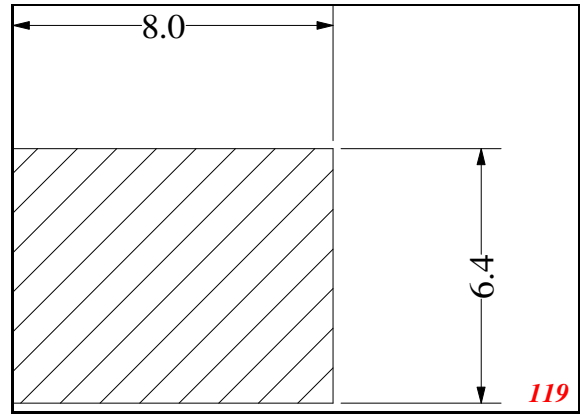
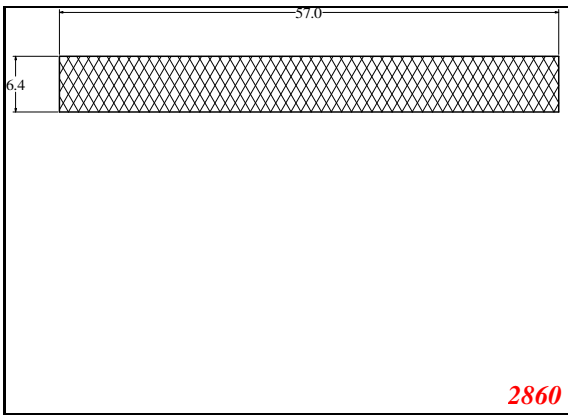
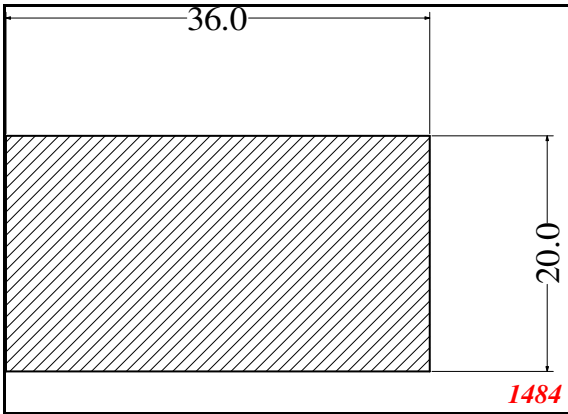
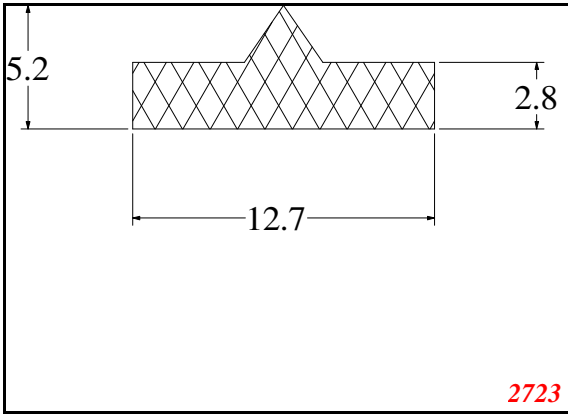
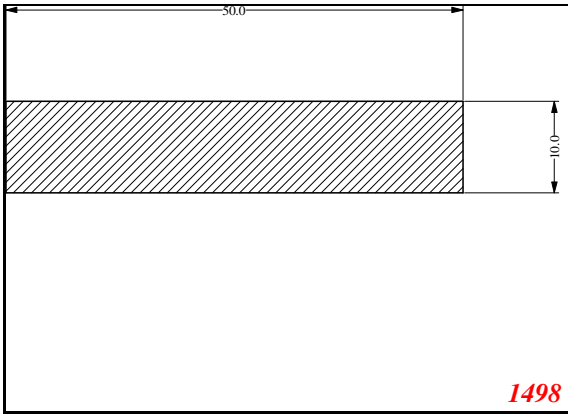
*Strip*



Strip



*Strip*



*Strip*

