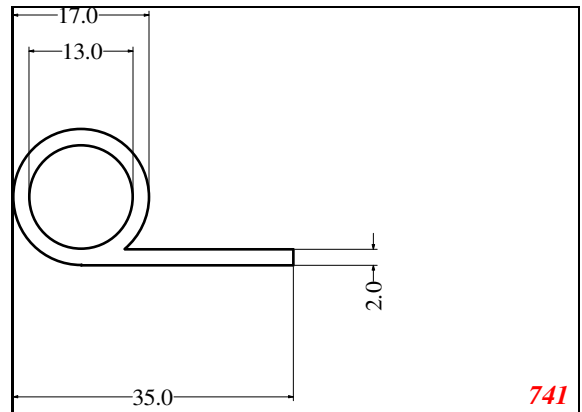
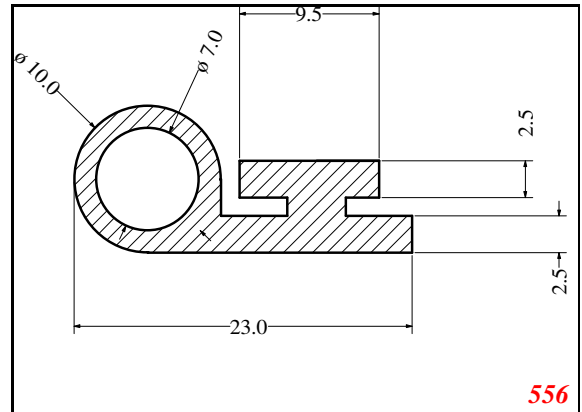
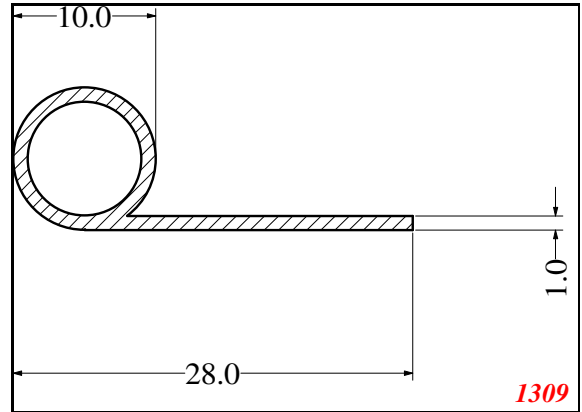
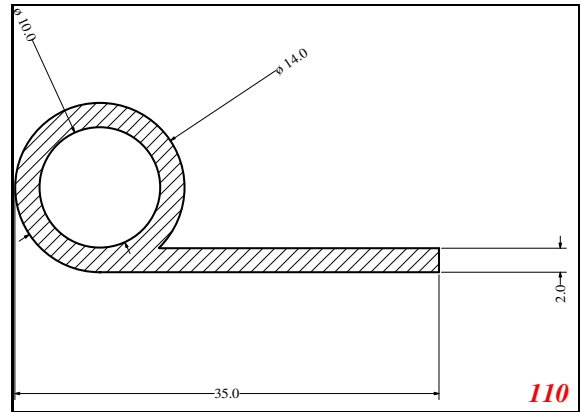
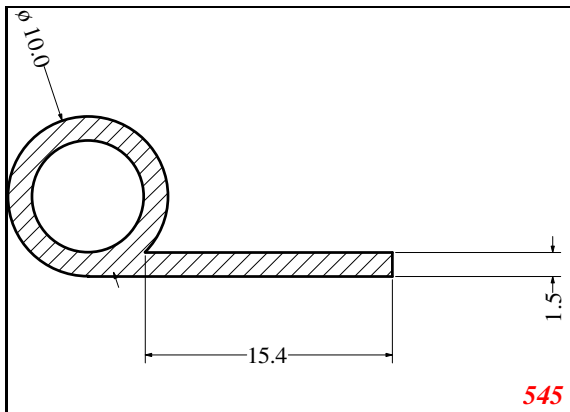
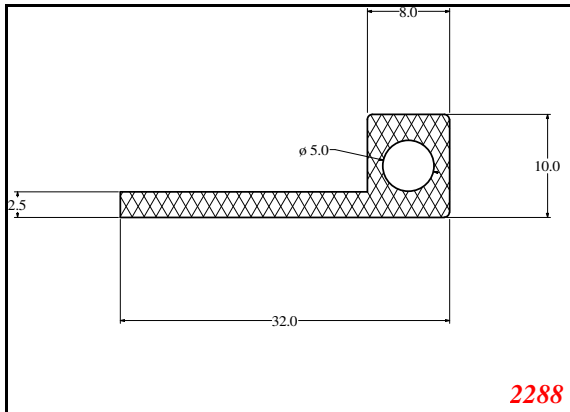
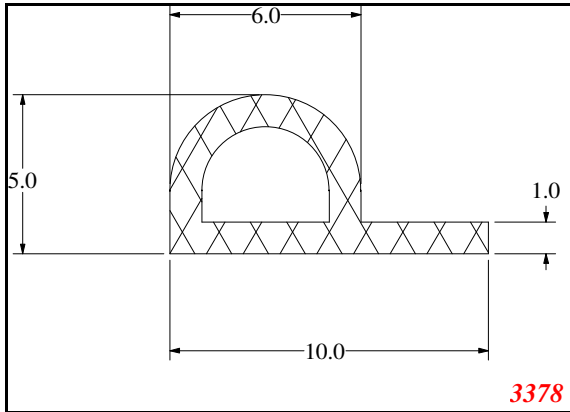
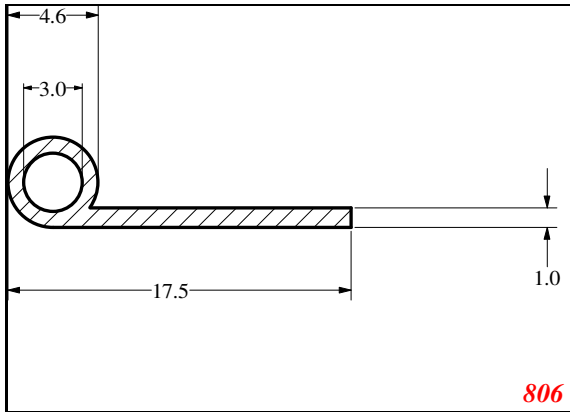
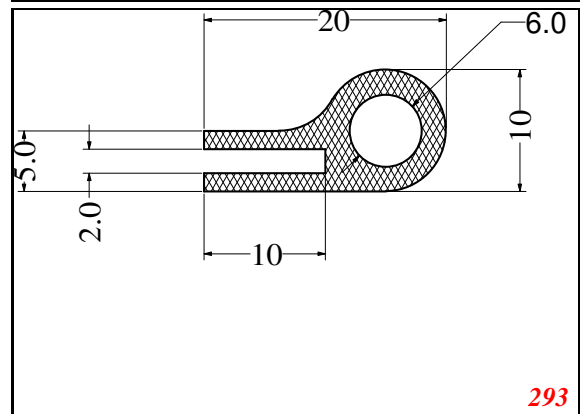
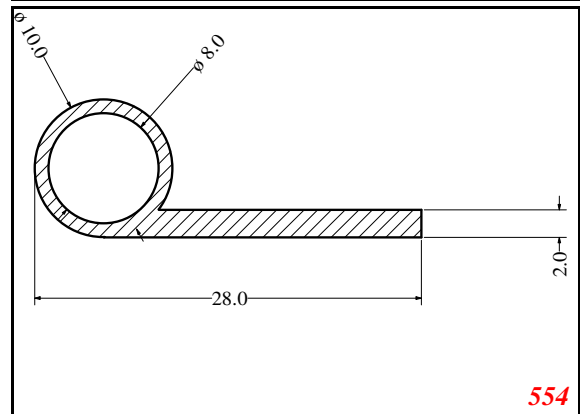
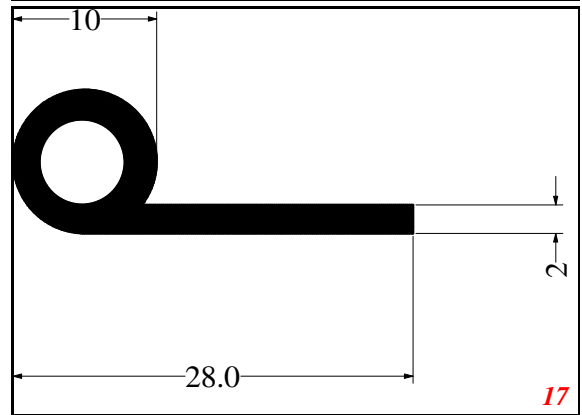
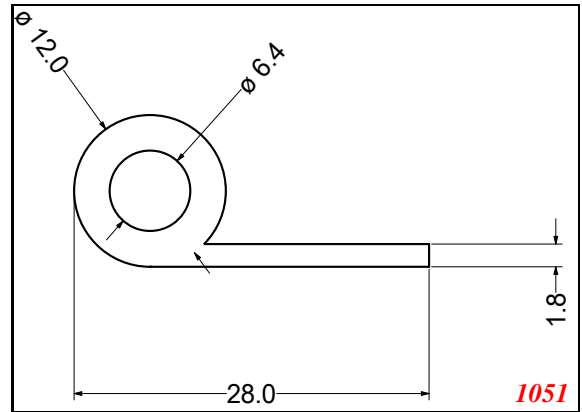
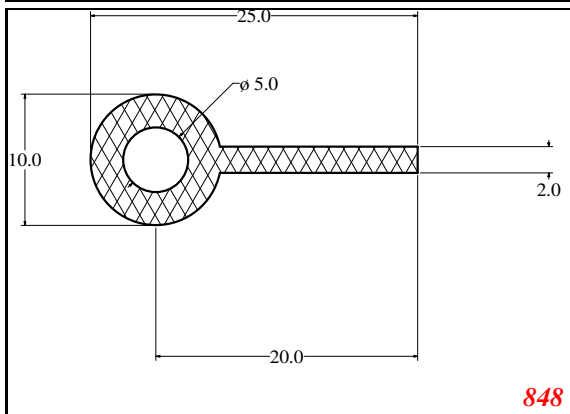
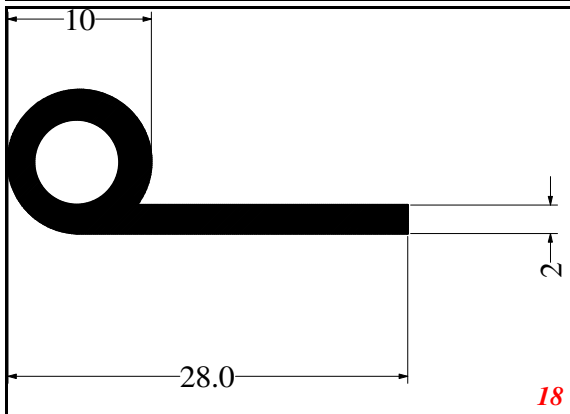
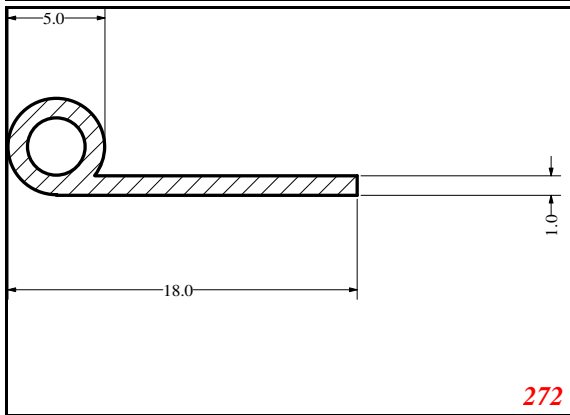
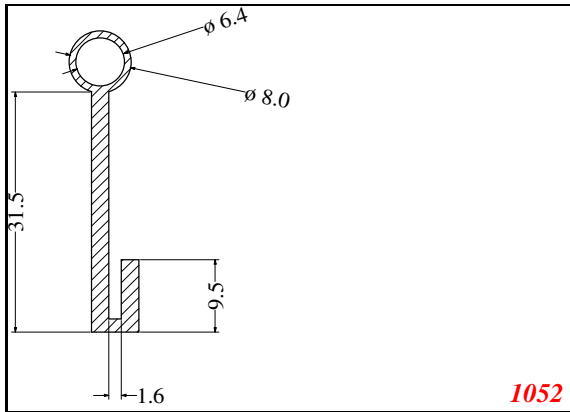


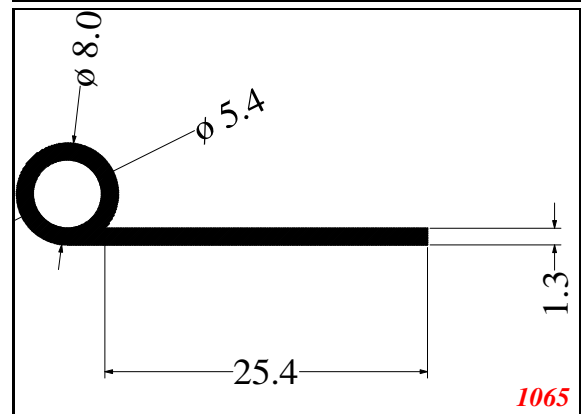
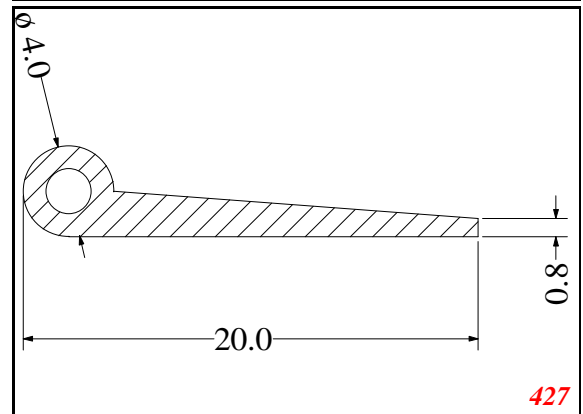
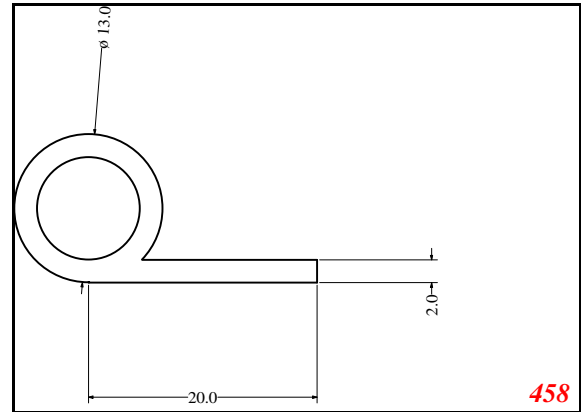
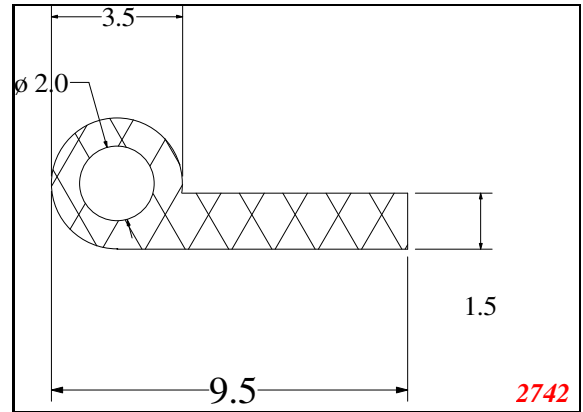
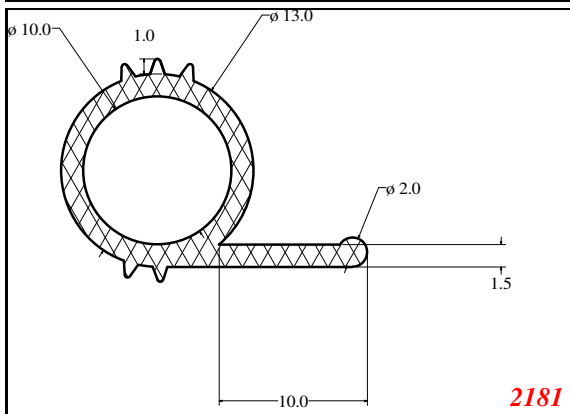
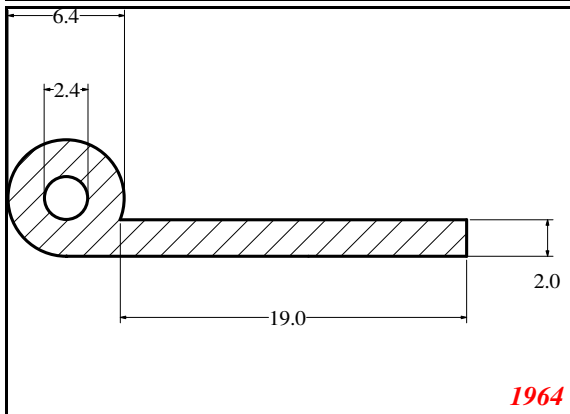
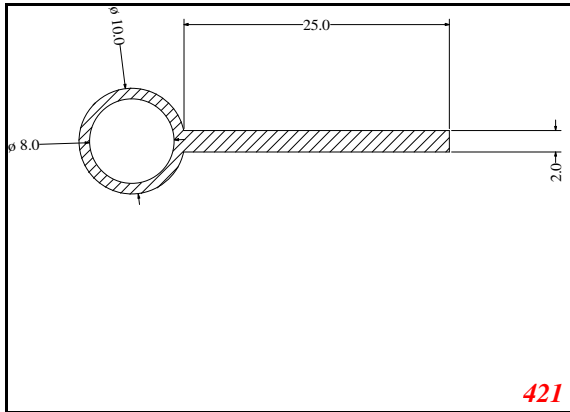
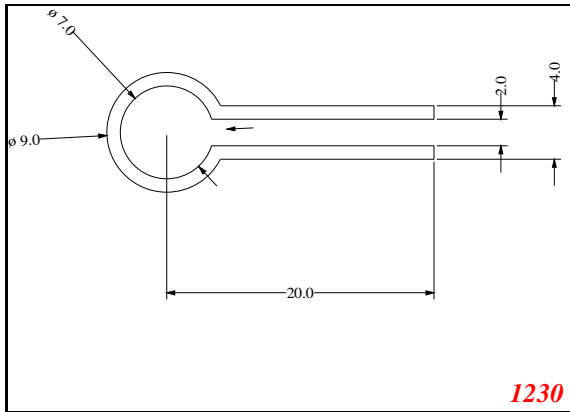
P-Small



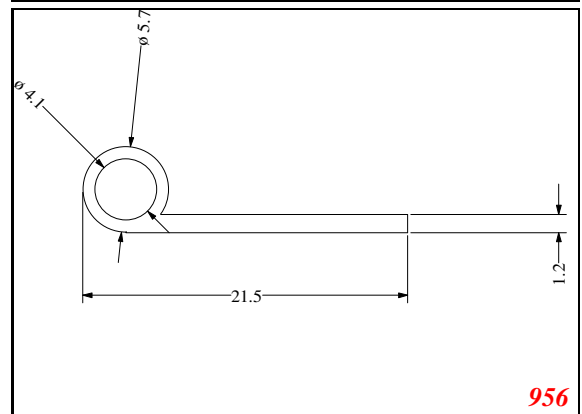
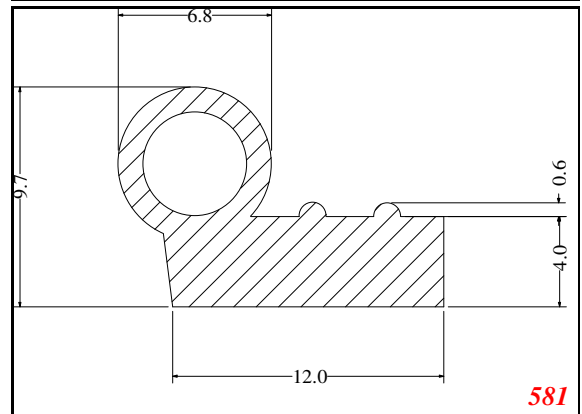
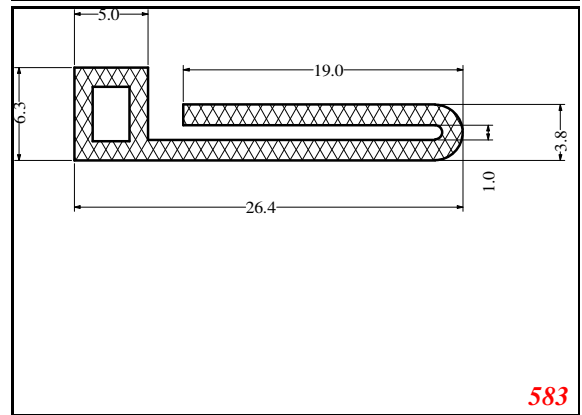
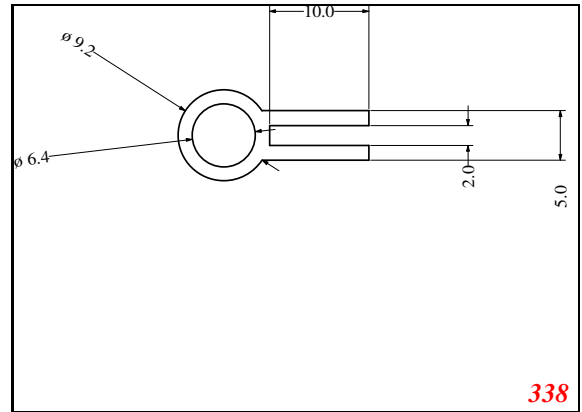
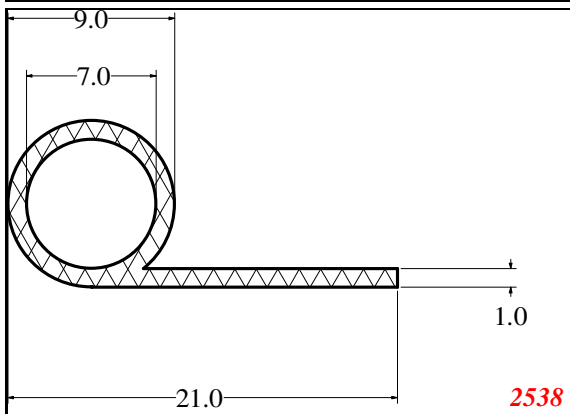
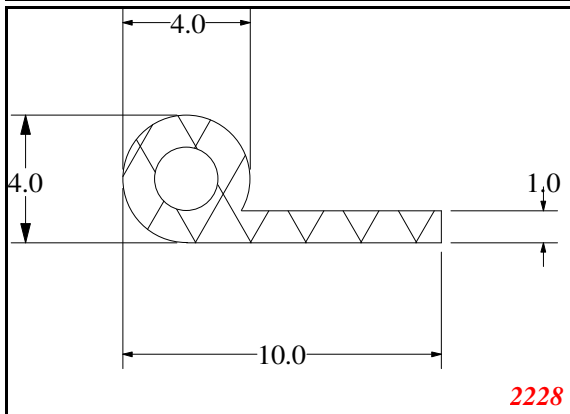
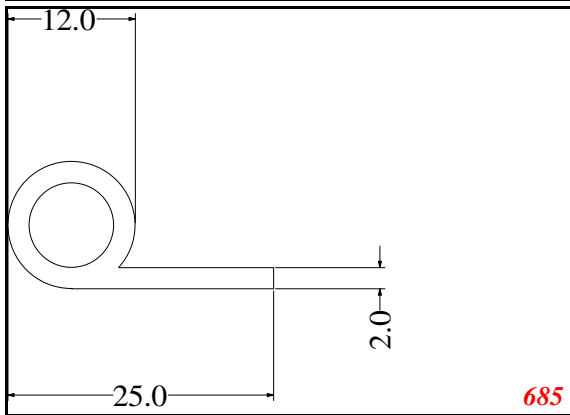
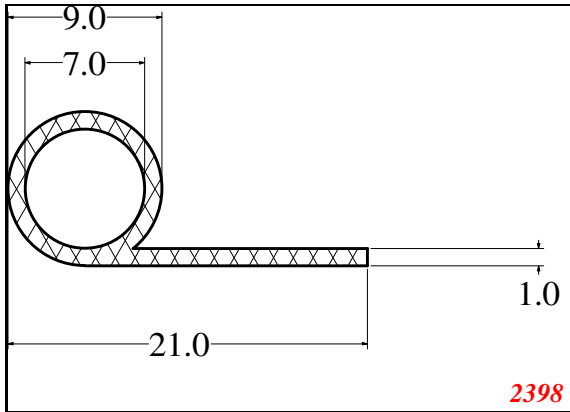
P-Small



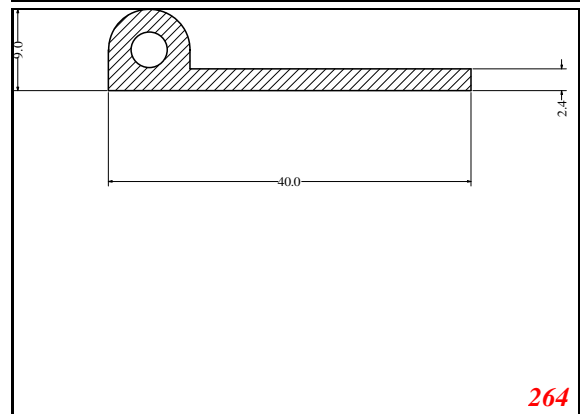
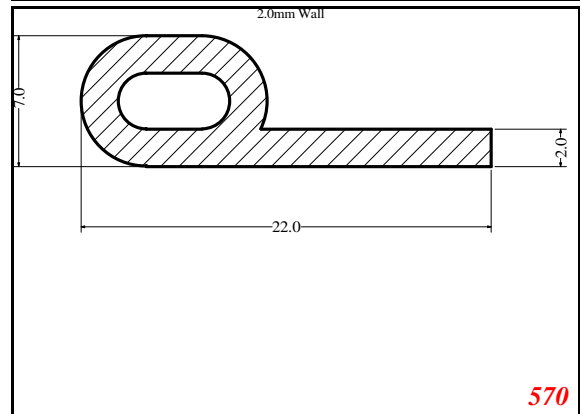
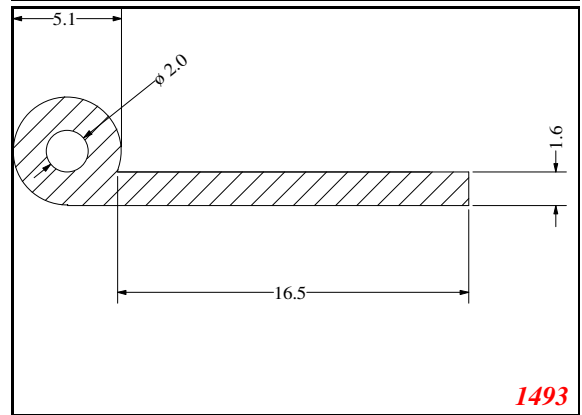
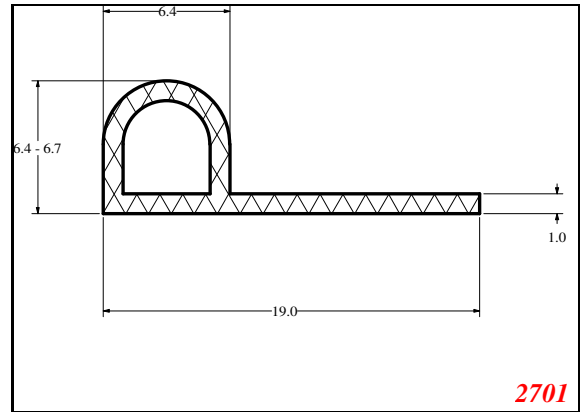
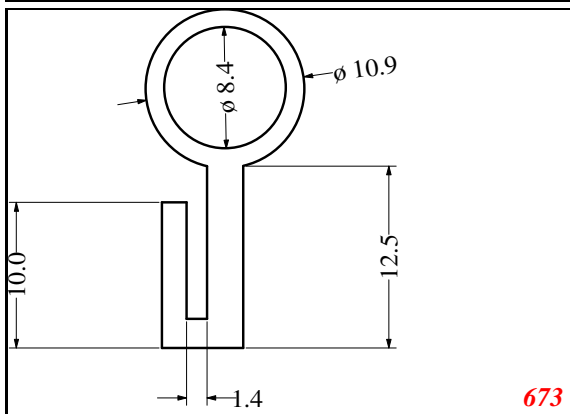
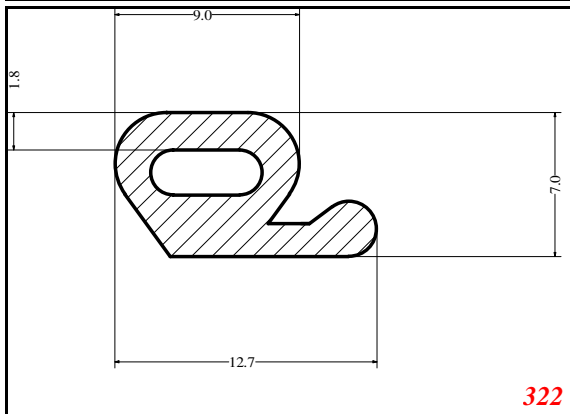
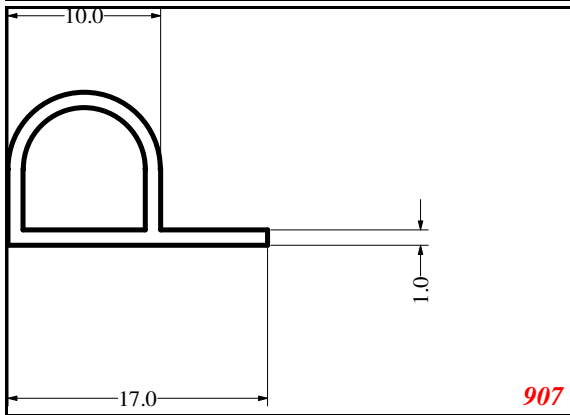
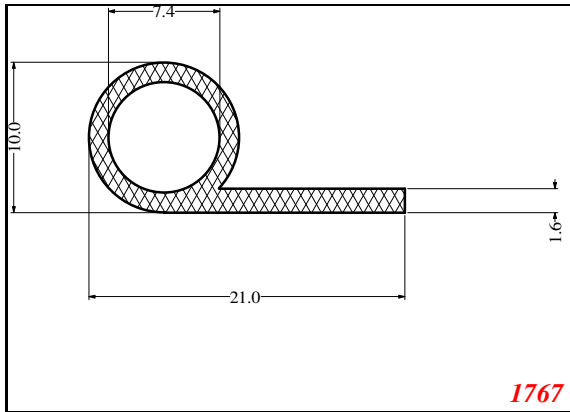
P-Small



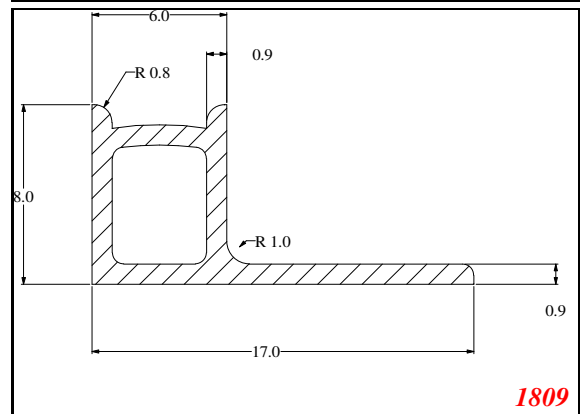
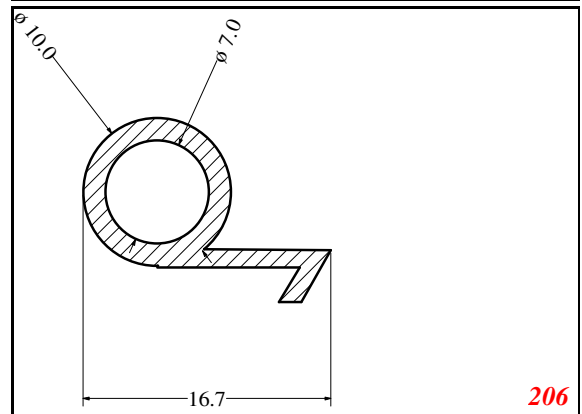
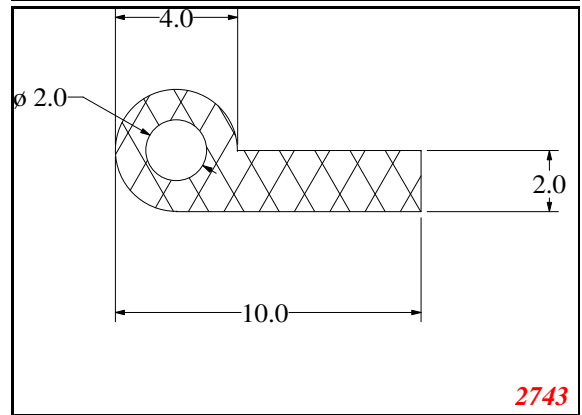
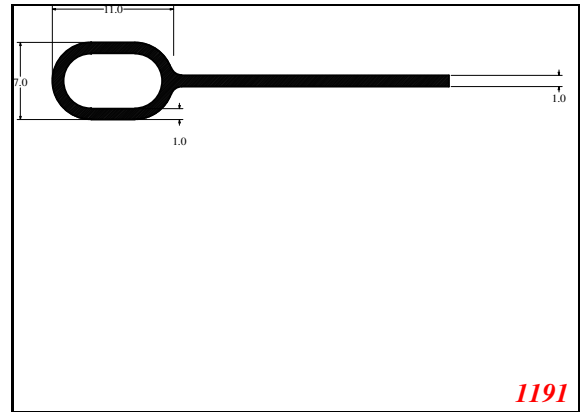
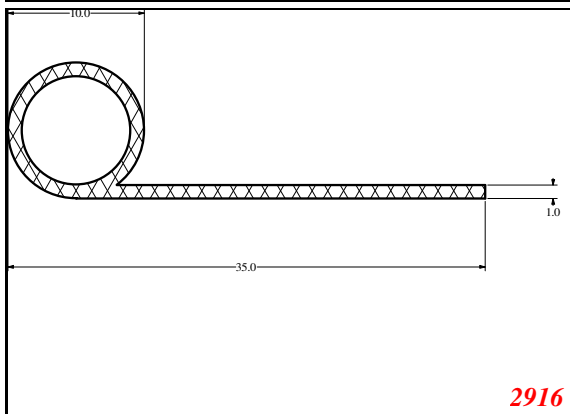
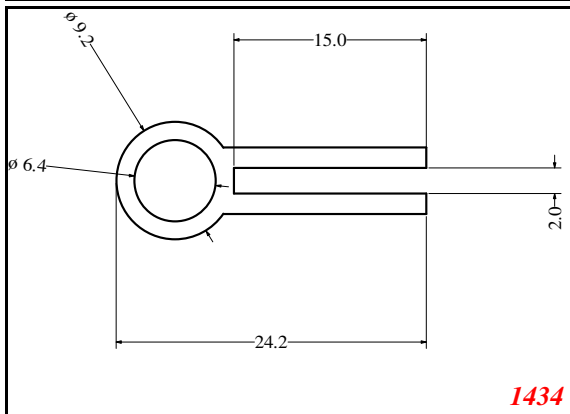
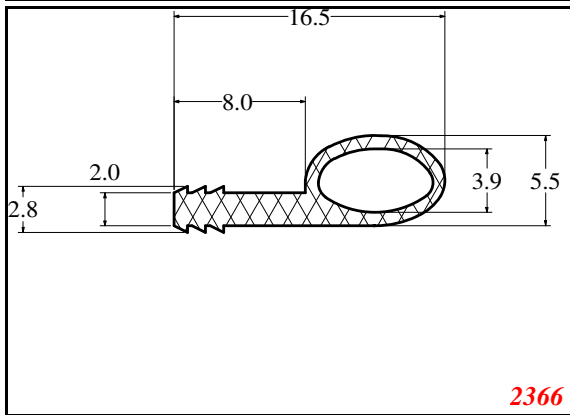
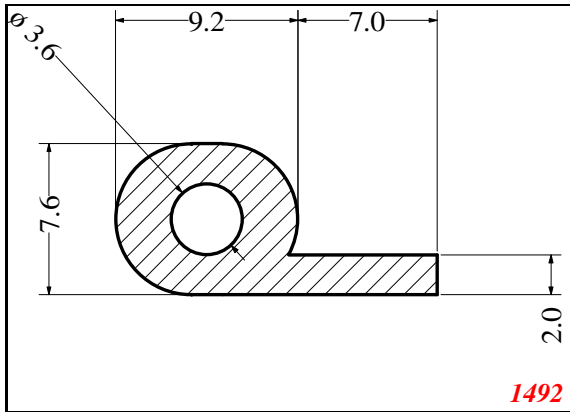
P-Small



P-Small



P-Small



P-Small

