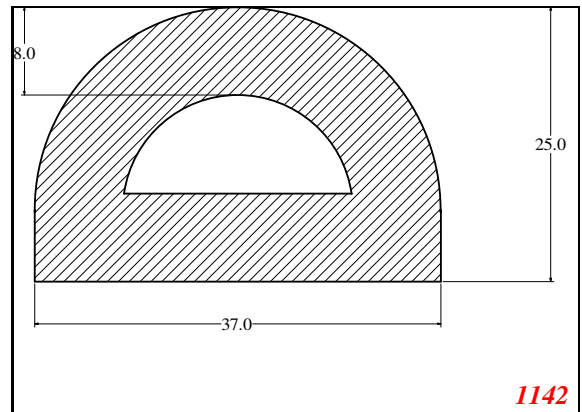
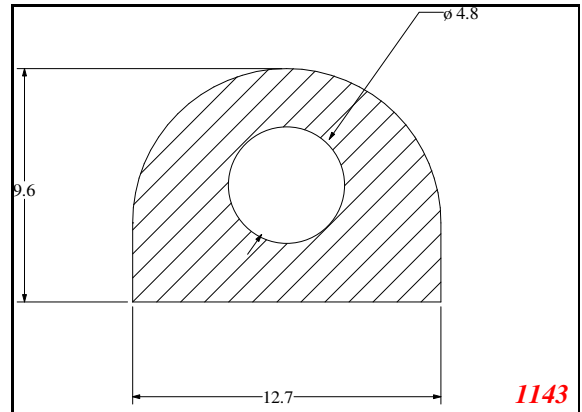
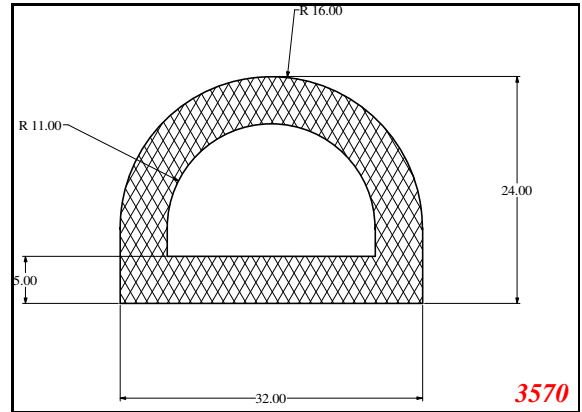
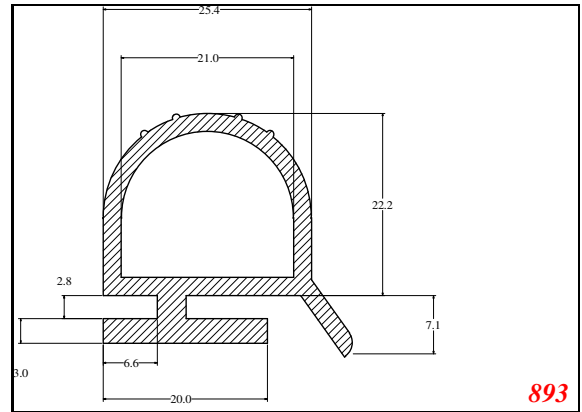
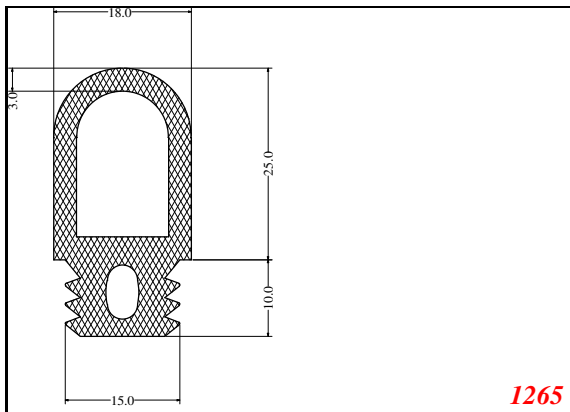
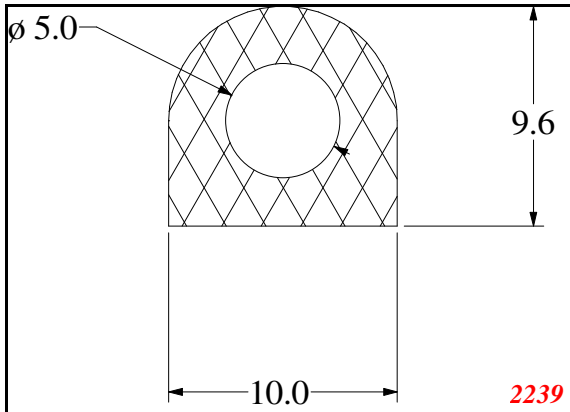
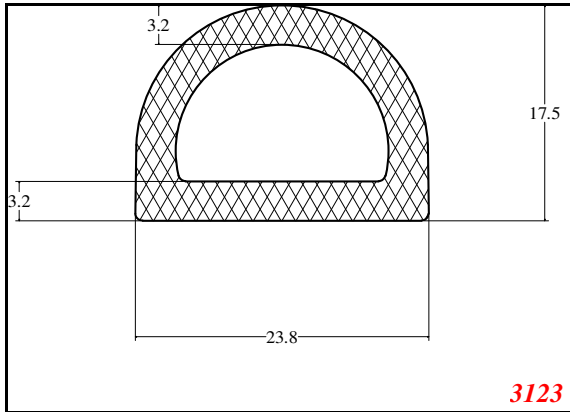
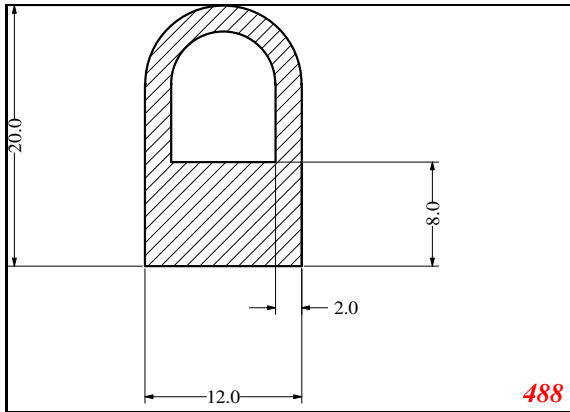
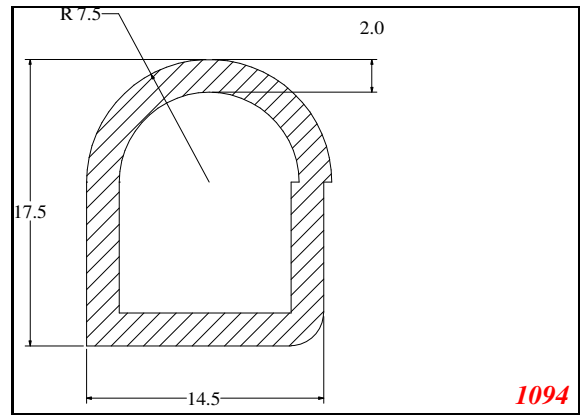
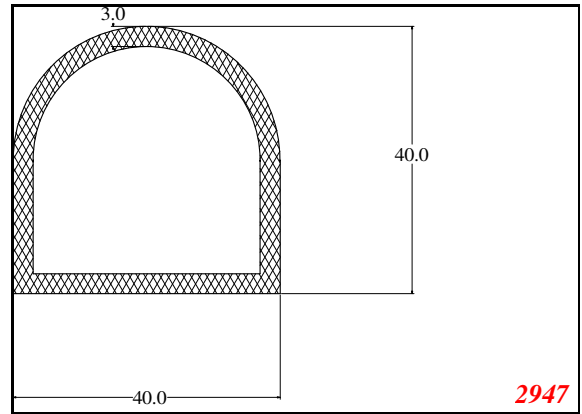
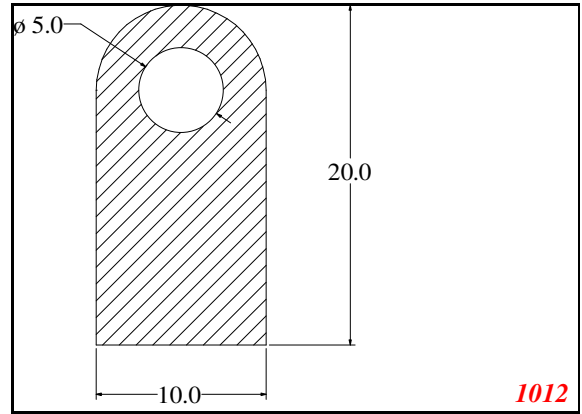
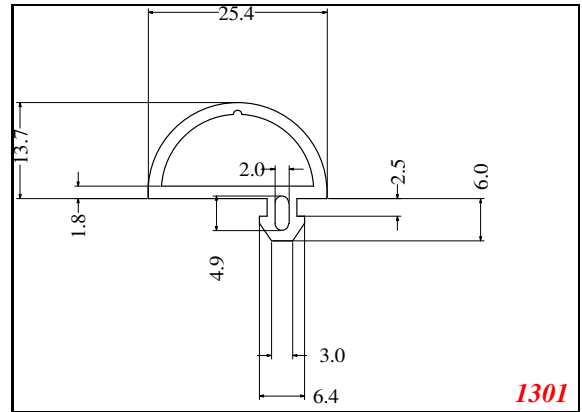
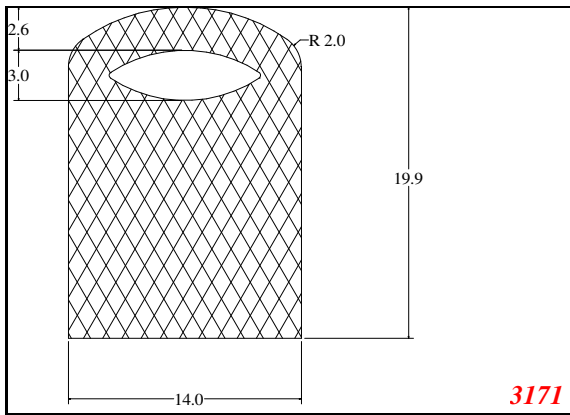
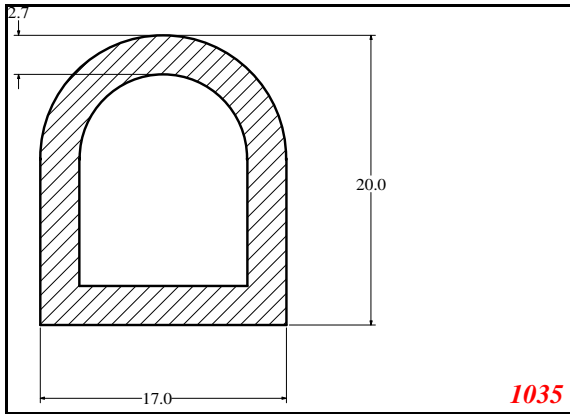
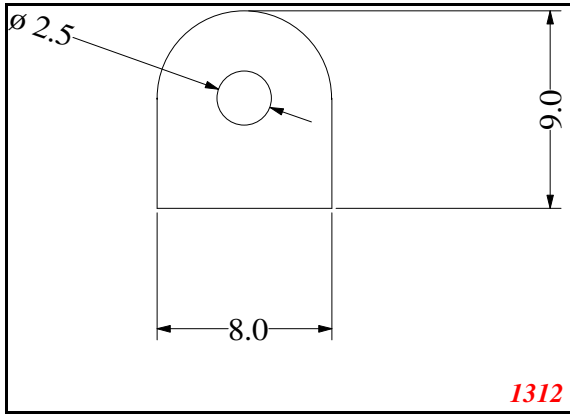
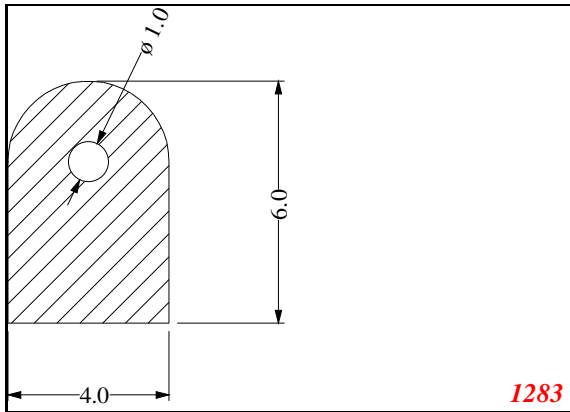


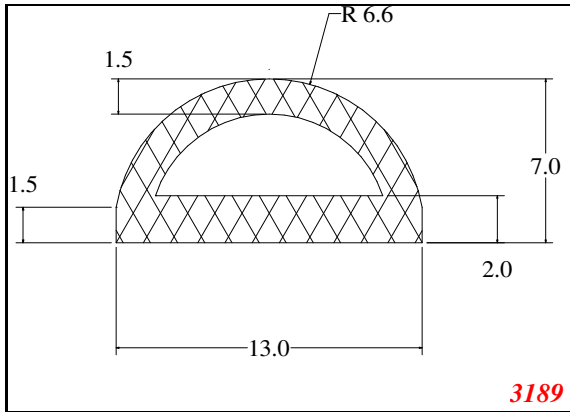
D-Hollow



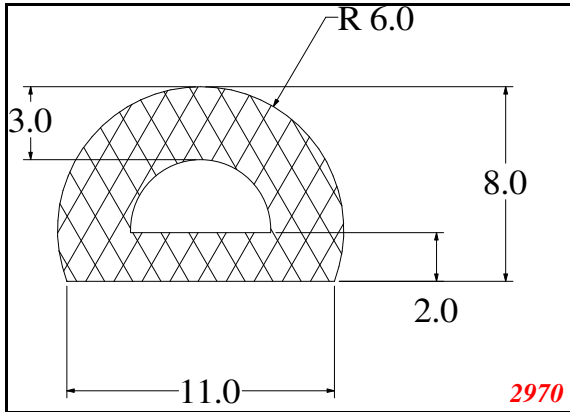
D-Hollow



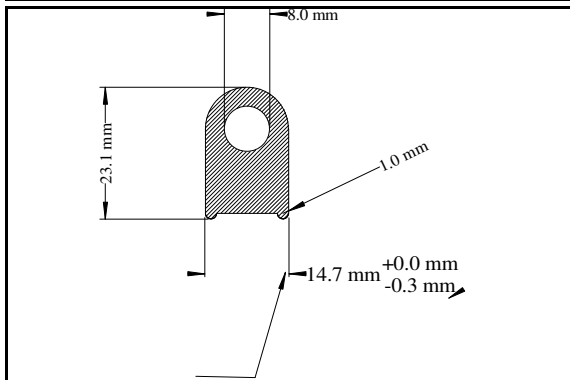
D-Hollow



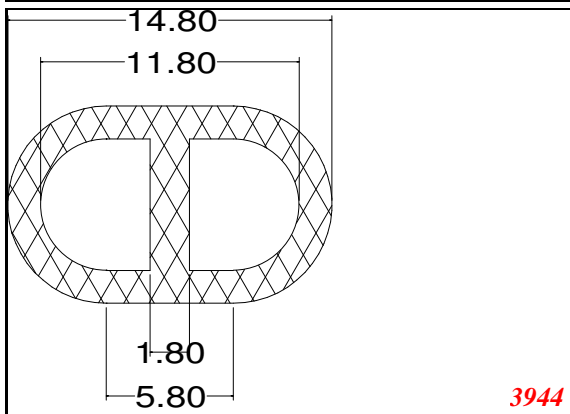
3189



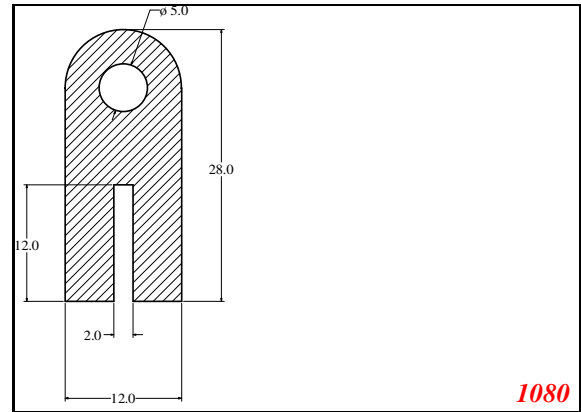
2970



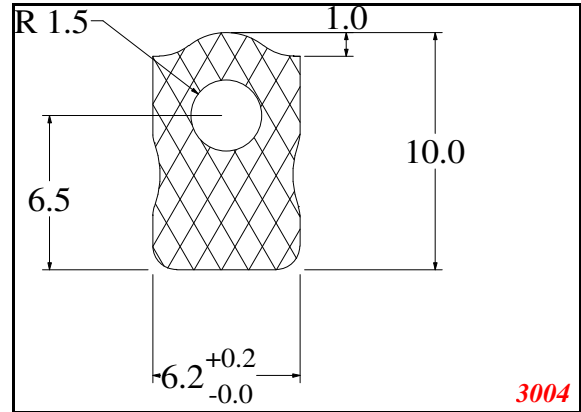
This Dimension must be to tolerance: **1064**



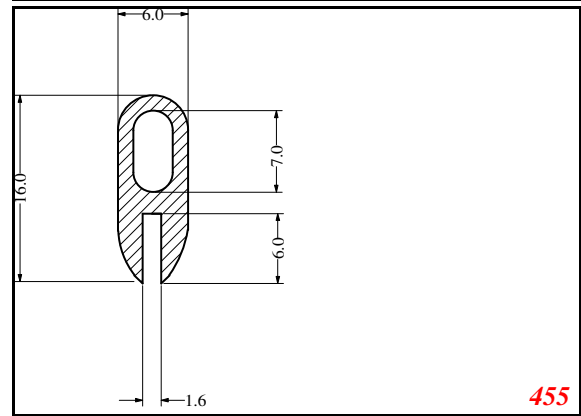
3944



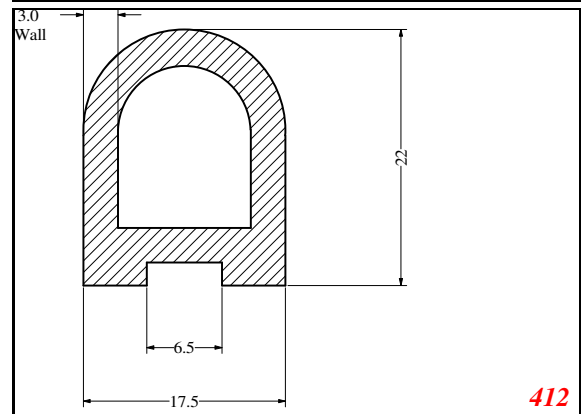
1080



3004

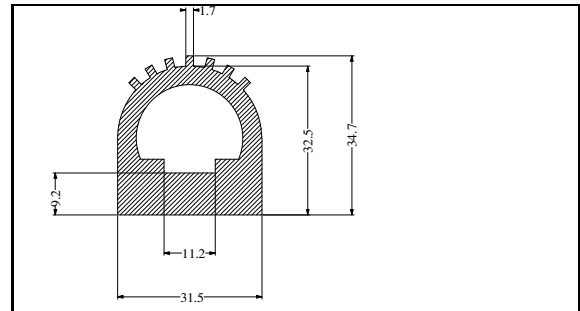
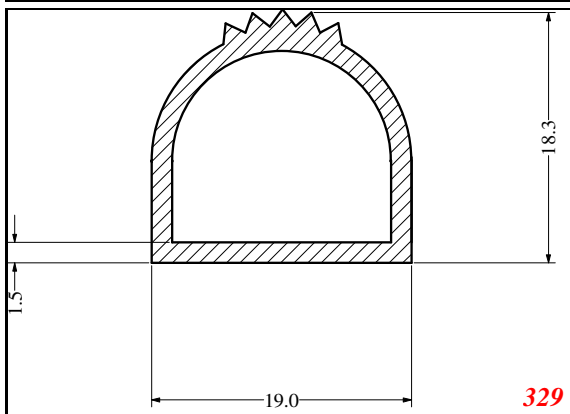
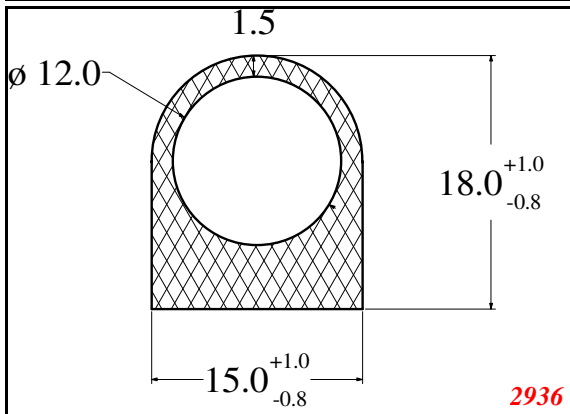
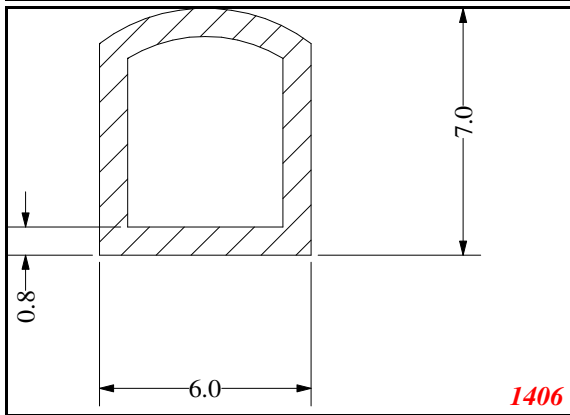
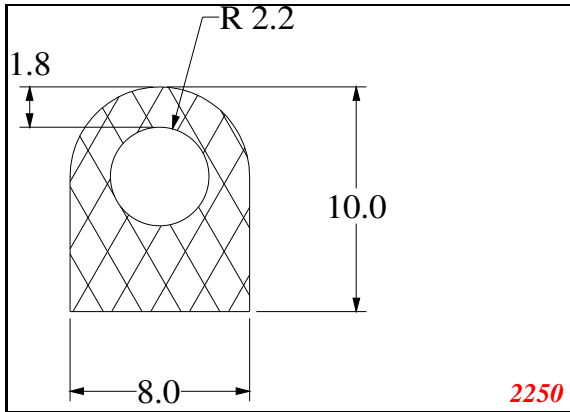


455

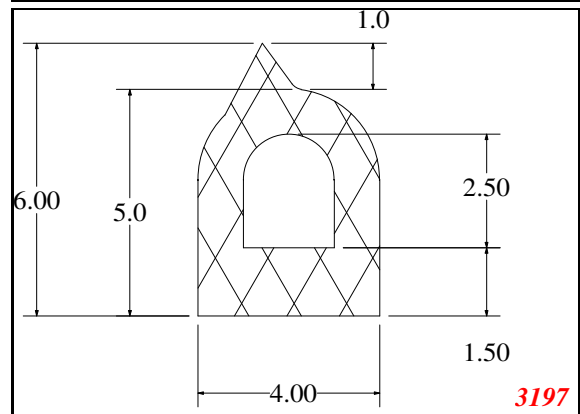
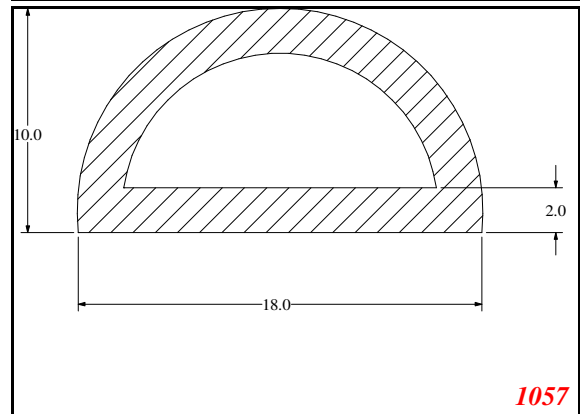
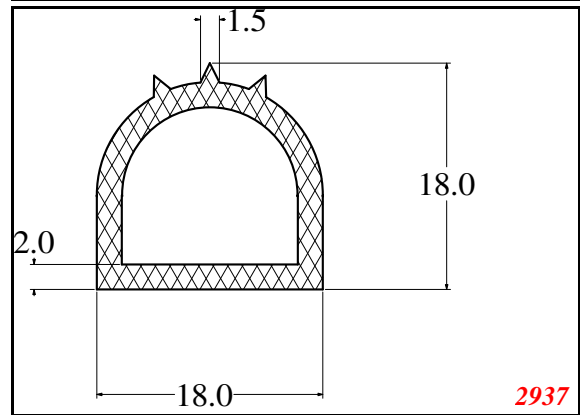


412

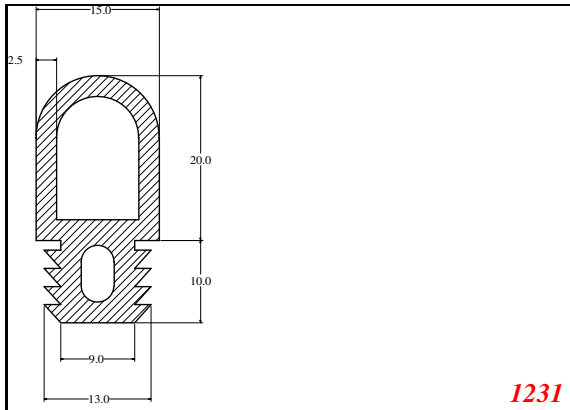
D-Hollow



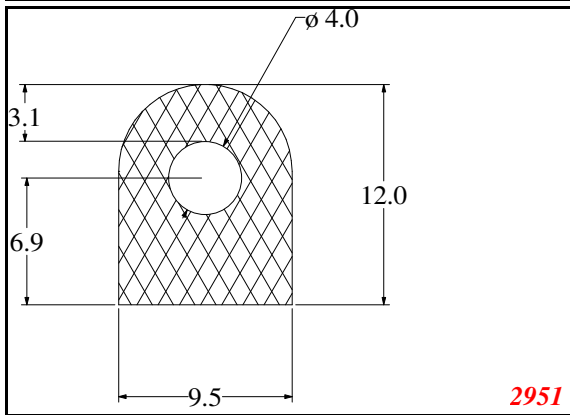
Cut length = 85mm
Cut before post cure adding 1mm for shrinkage **1405**



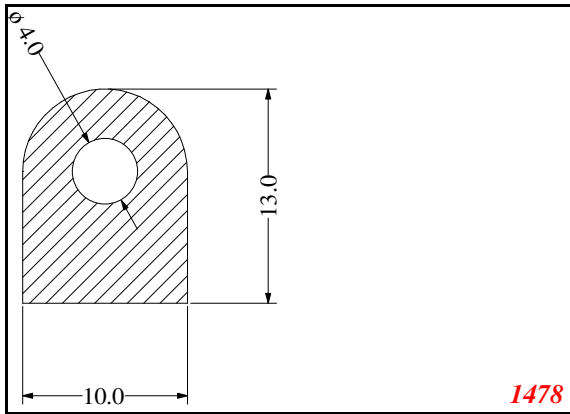
D-Hollow



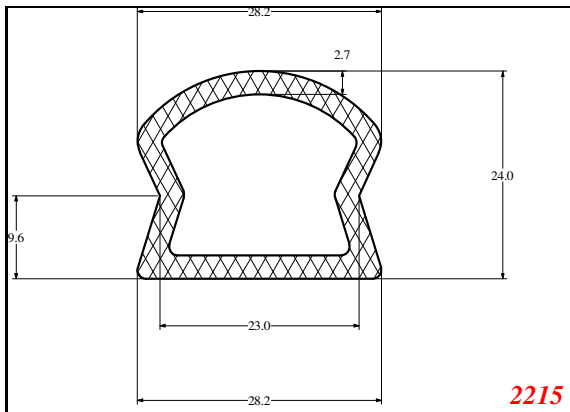
1231



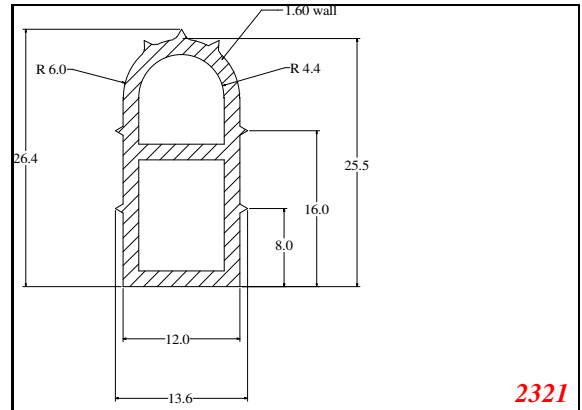
2951



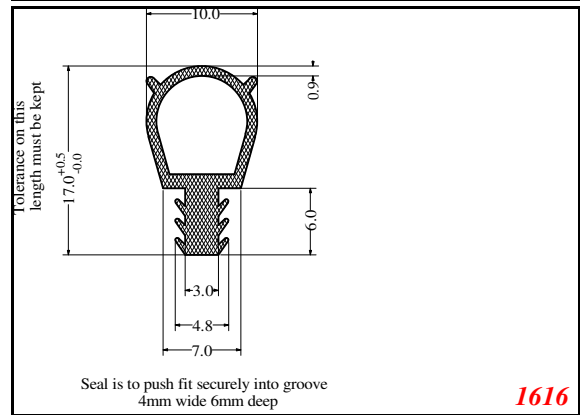
1478



2215

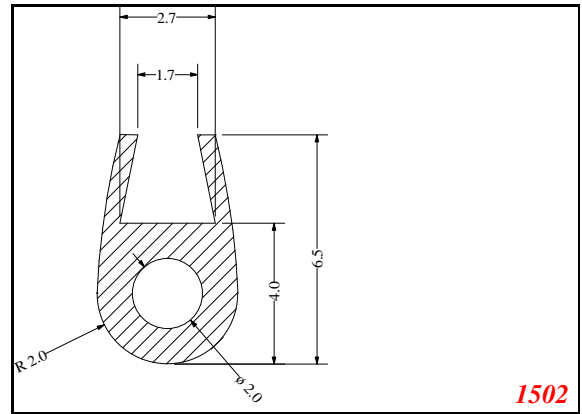


2321

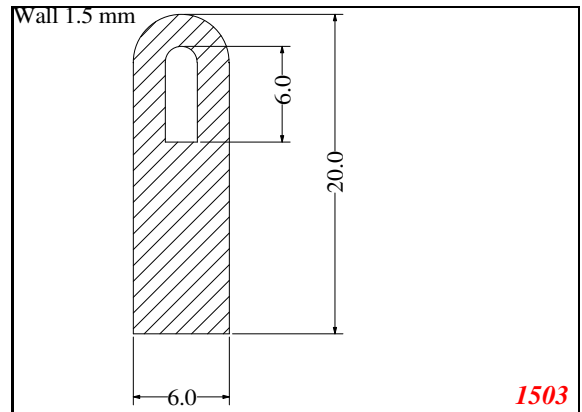


Seal is to push fit securely into groove
4mm wide 6mm deep

1616

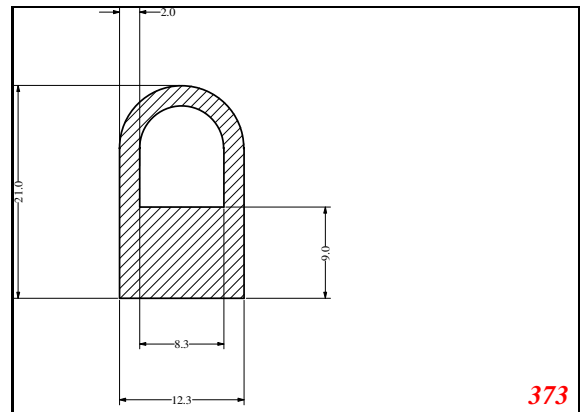
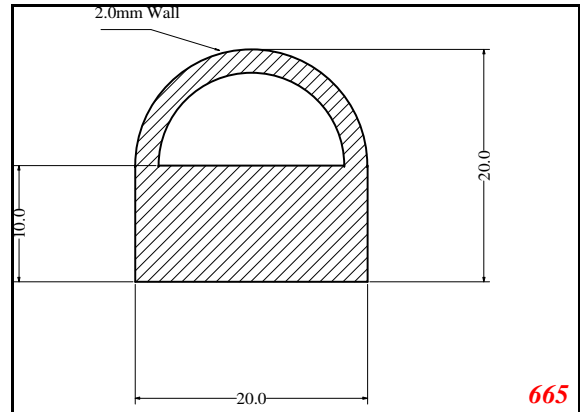
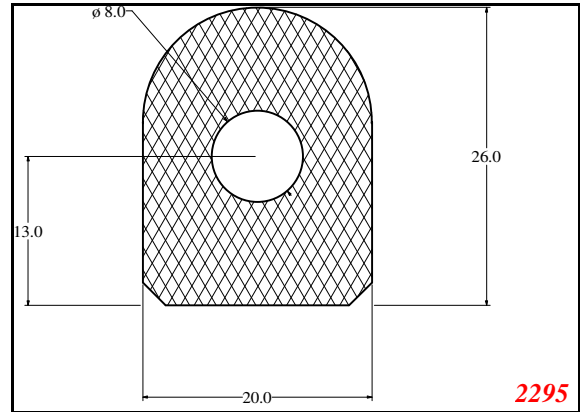
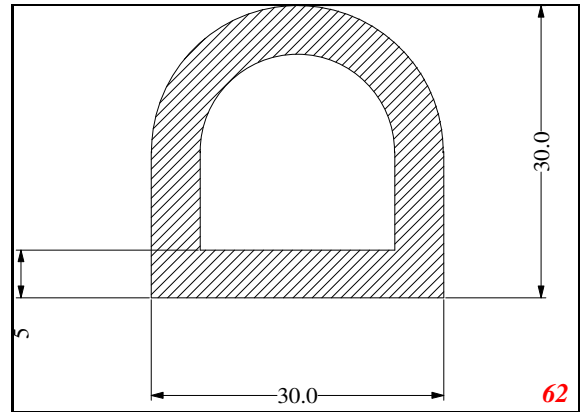
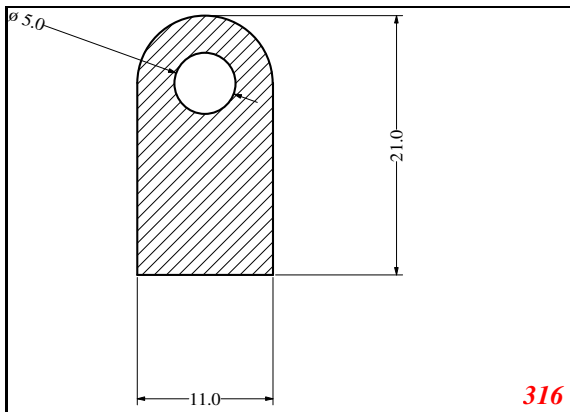
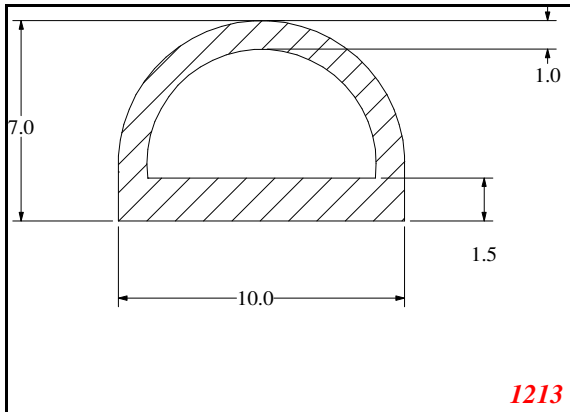
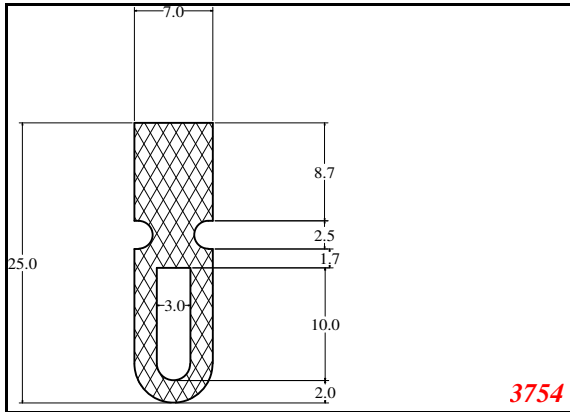
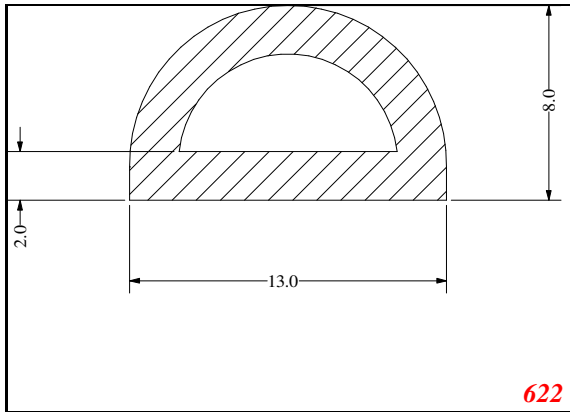


1502

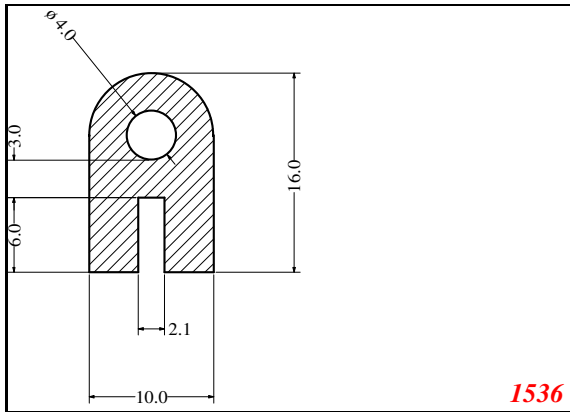


1503

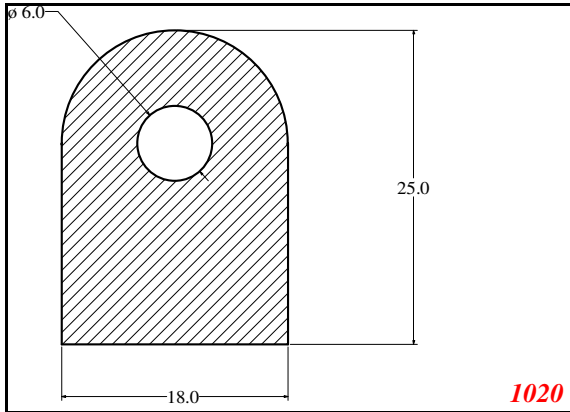
D-Hollow



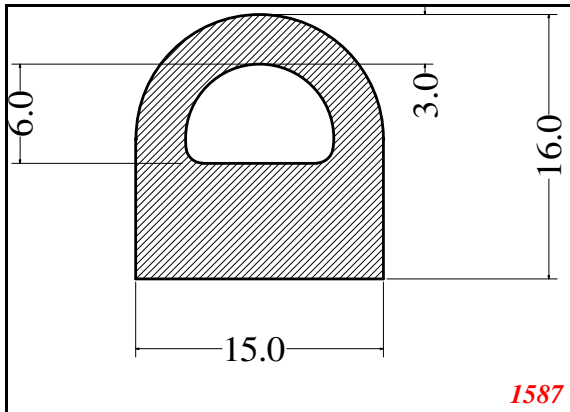
D-Hollow



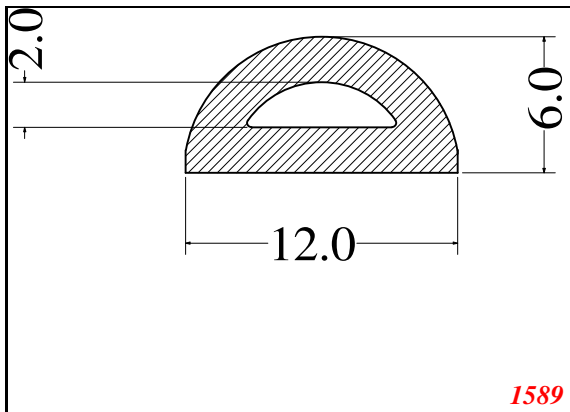
1536



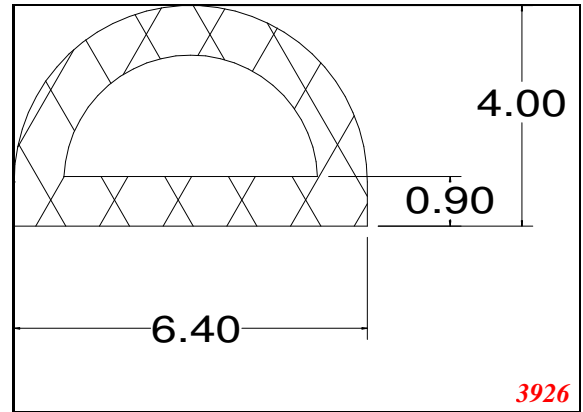
1020



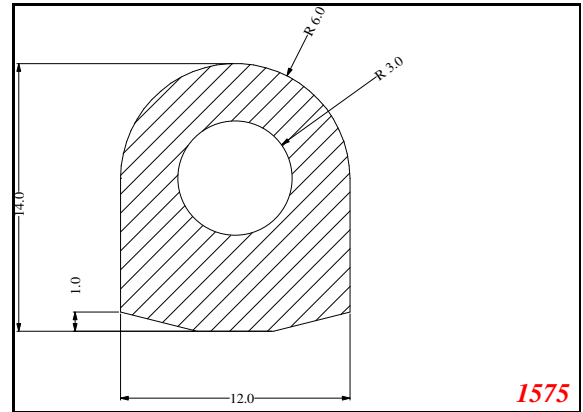
1587



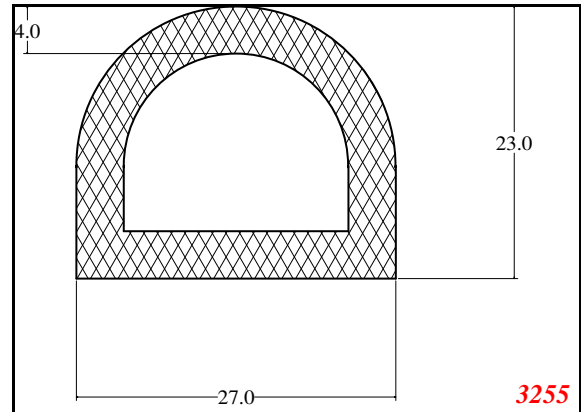
1589



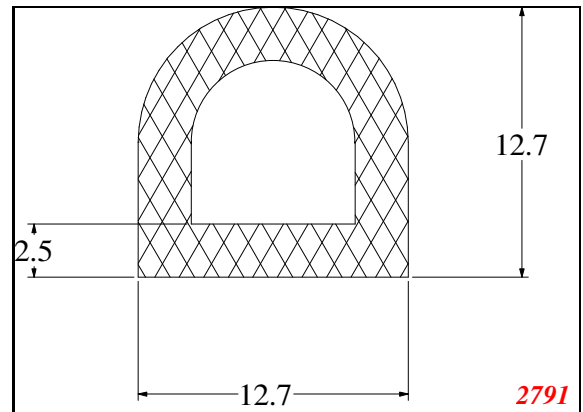
3926



1575

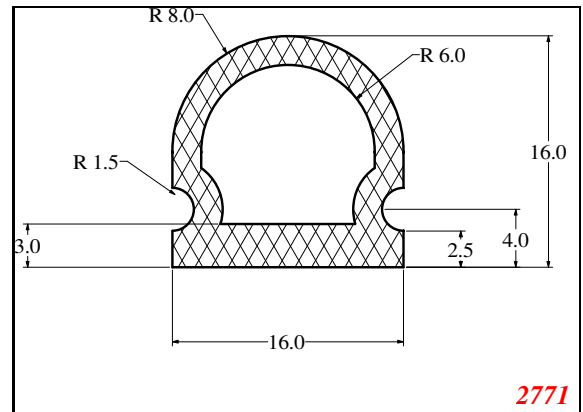
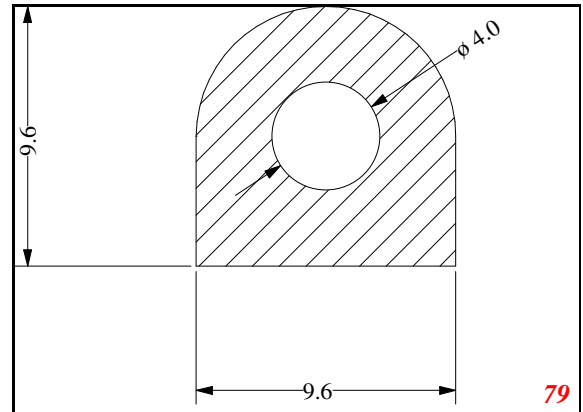
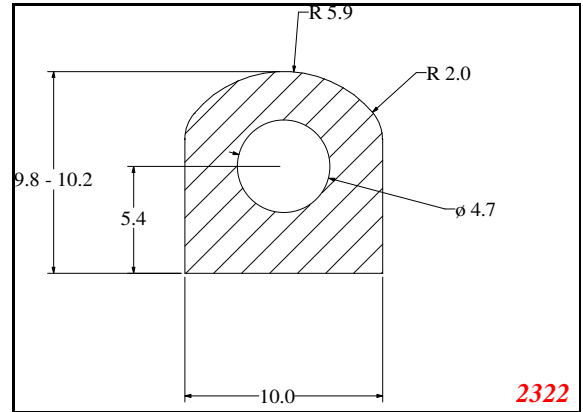
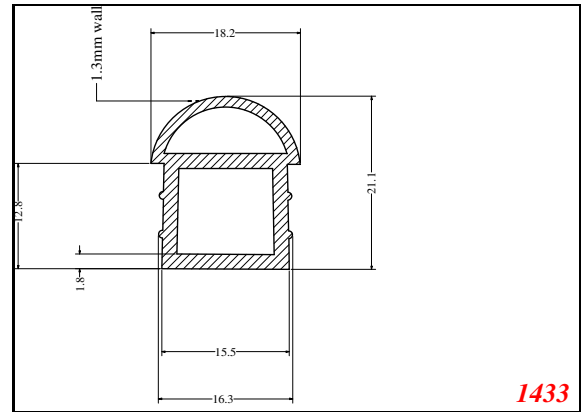
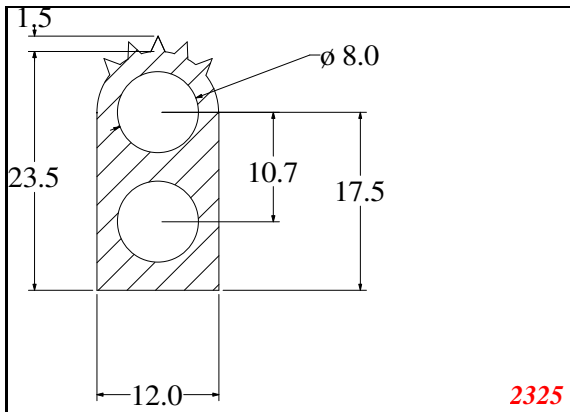
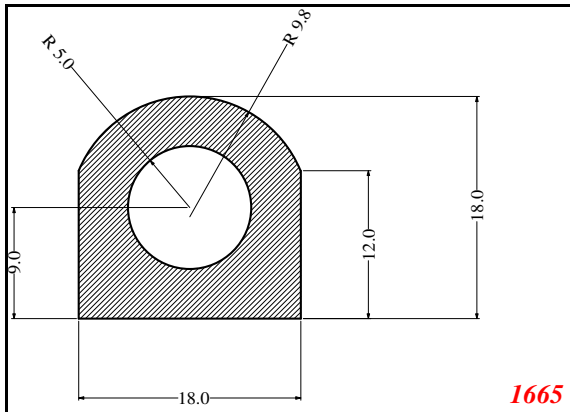
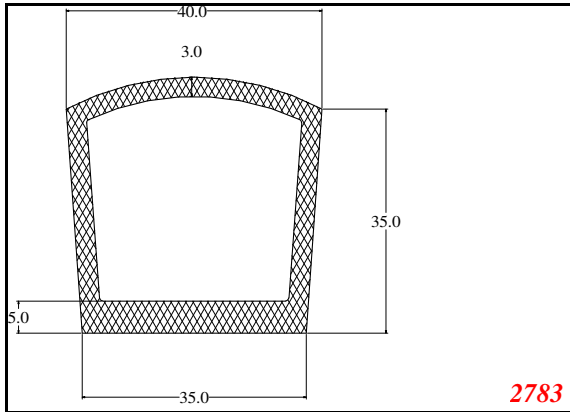
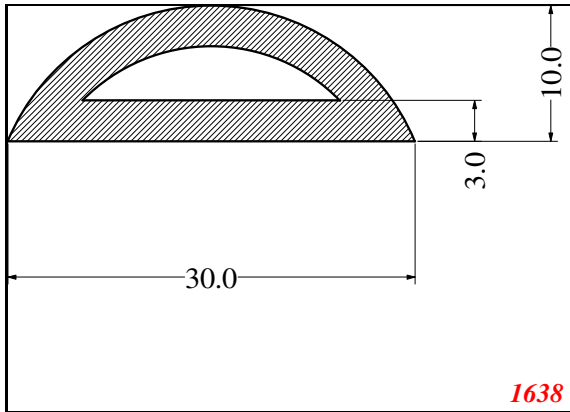


3255

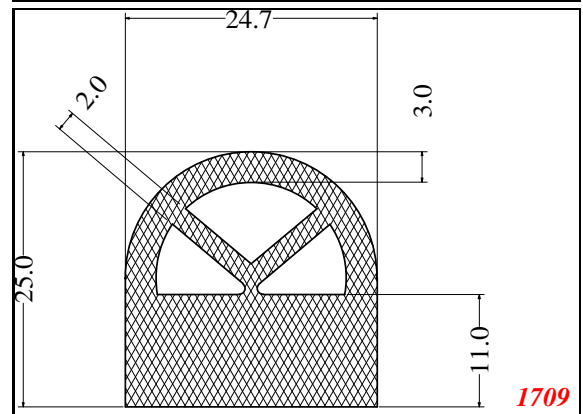
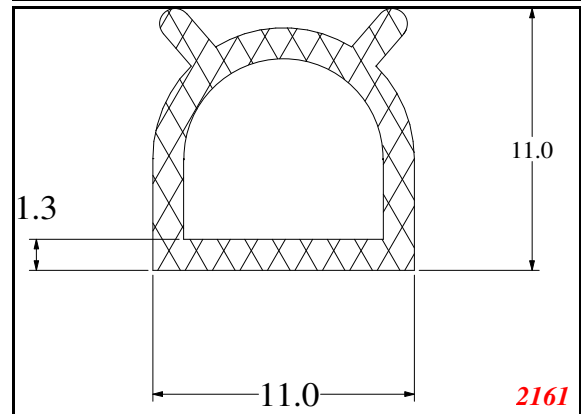
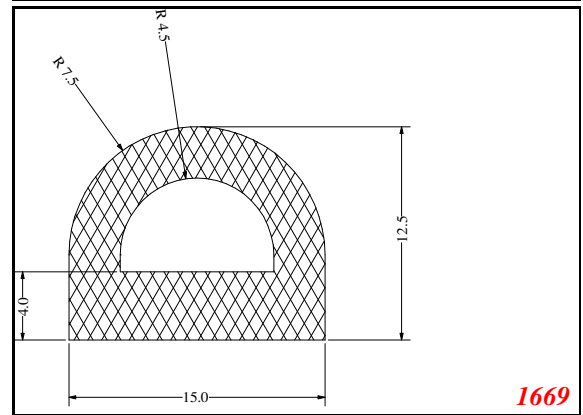
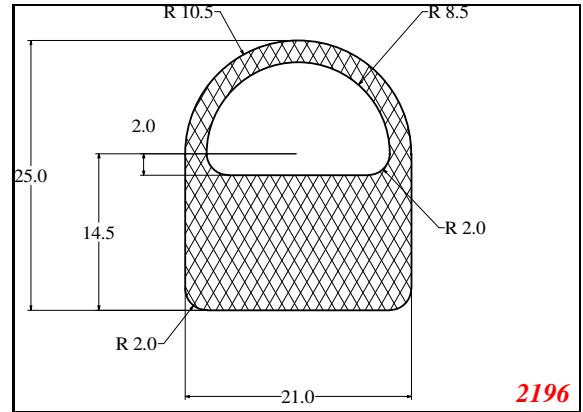
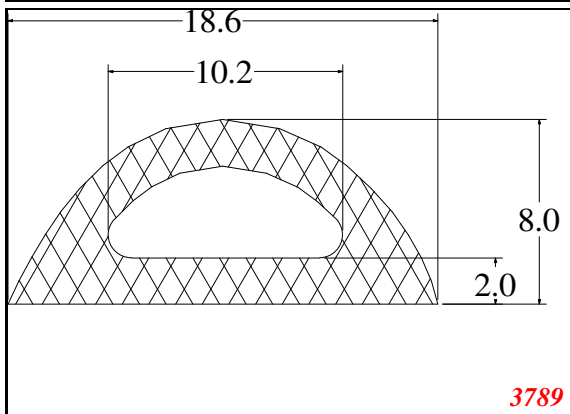
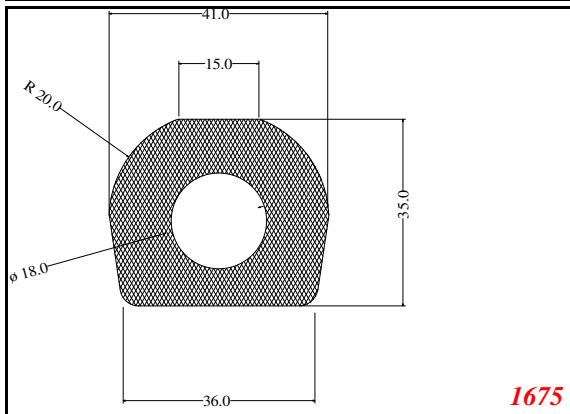
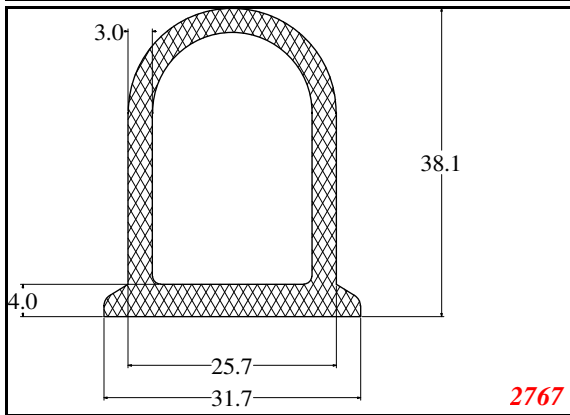
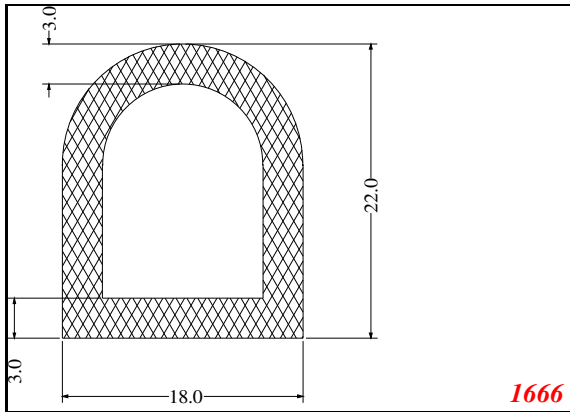


2791

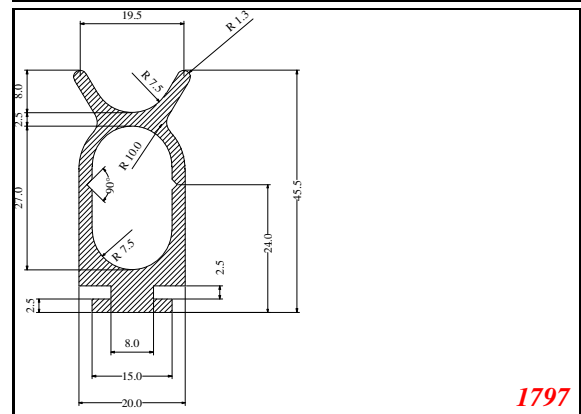
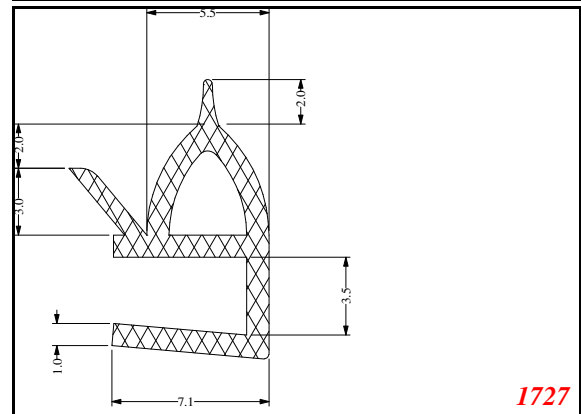
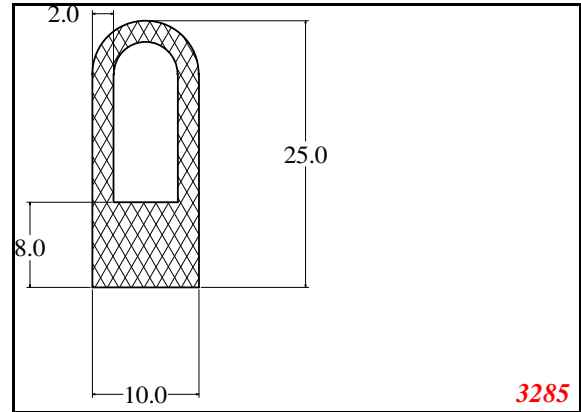
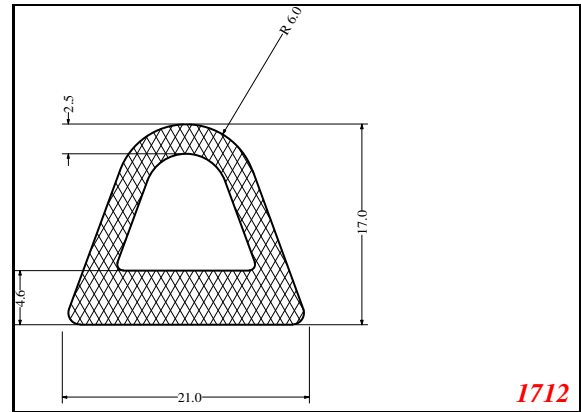
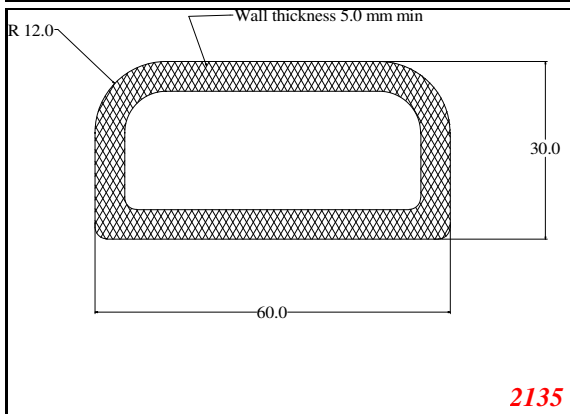
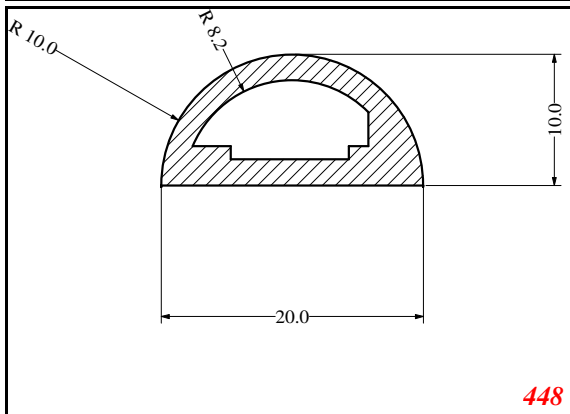
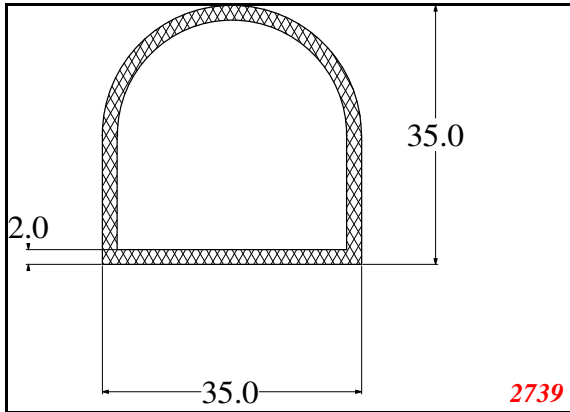
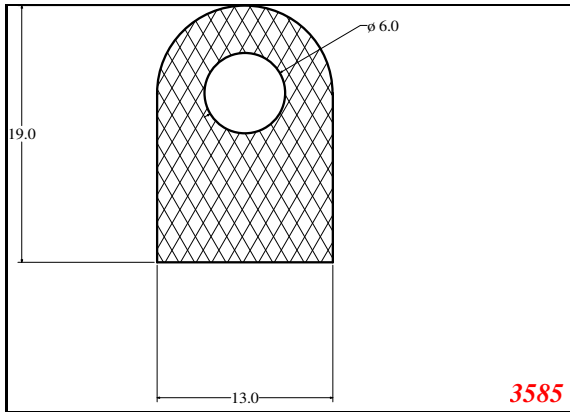
D-Hollow



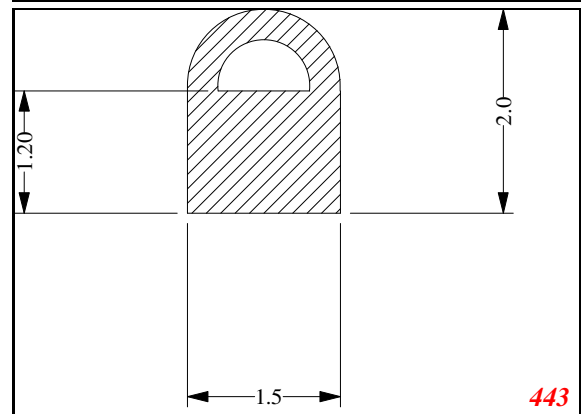
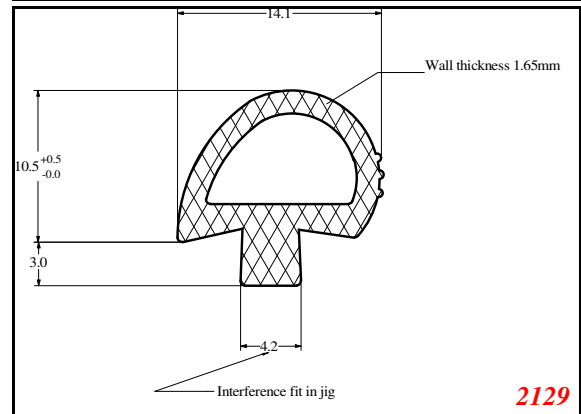
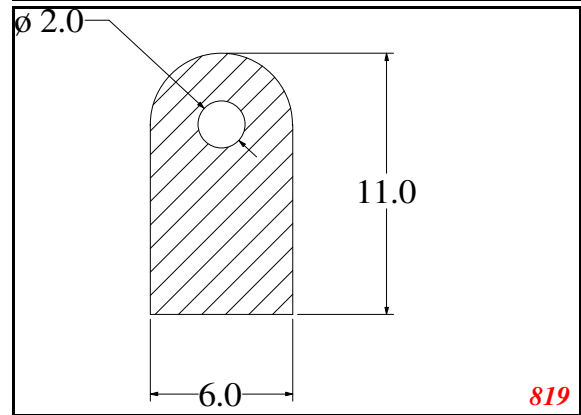
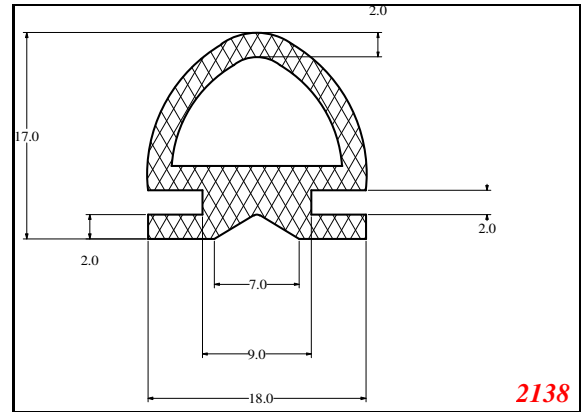
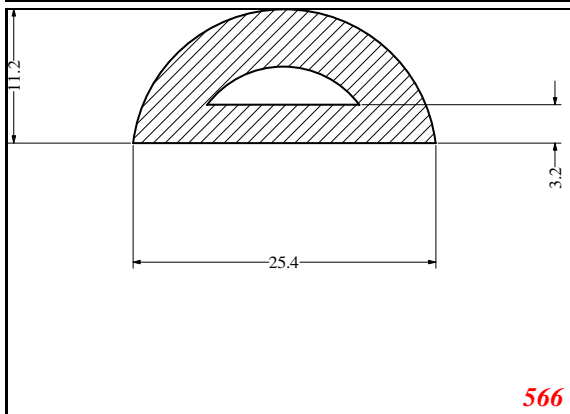
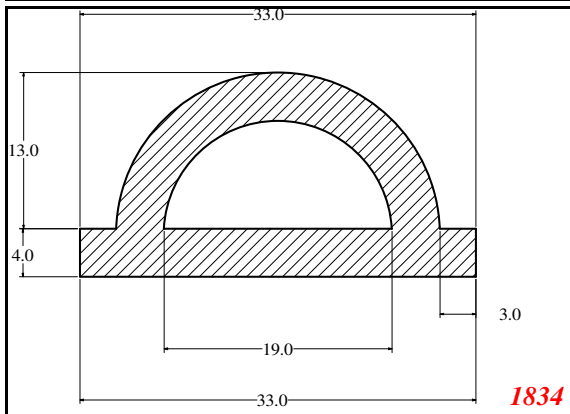
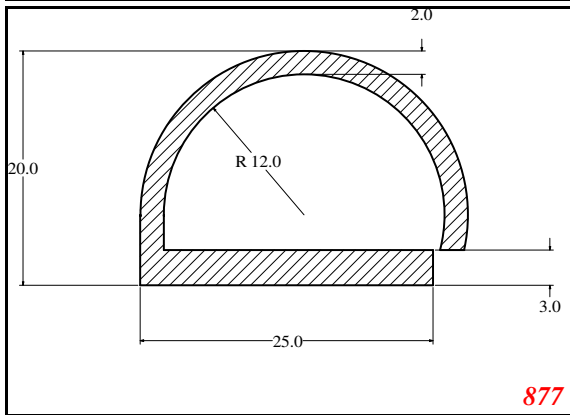
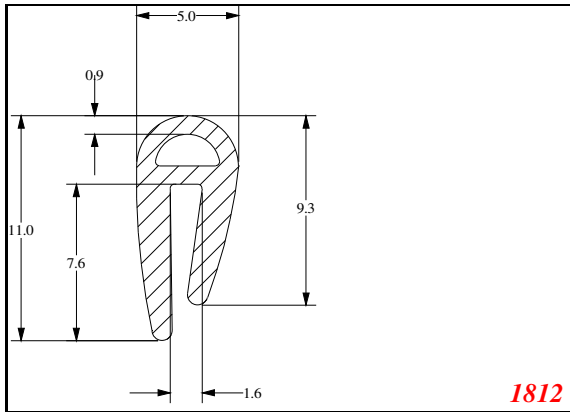
D-Hollow



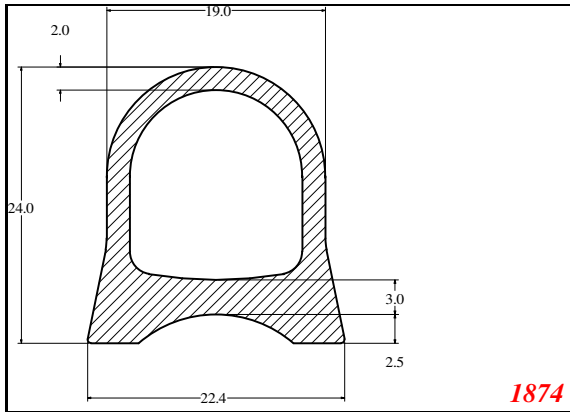
D-Hollow



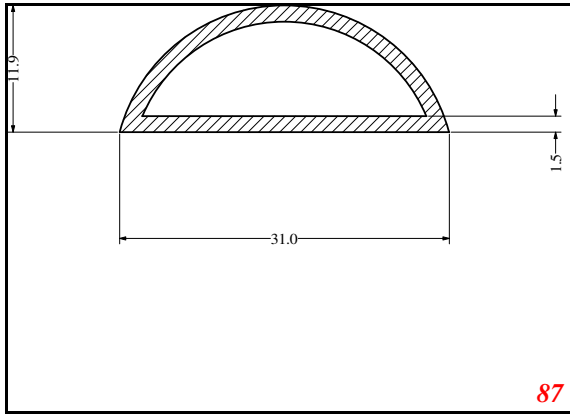
D-Hollow



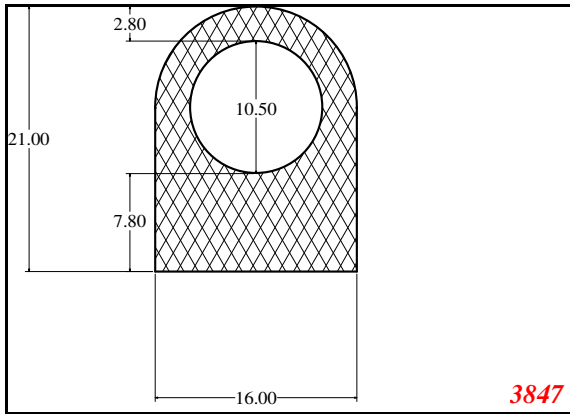
D-Hollow



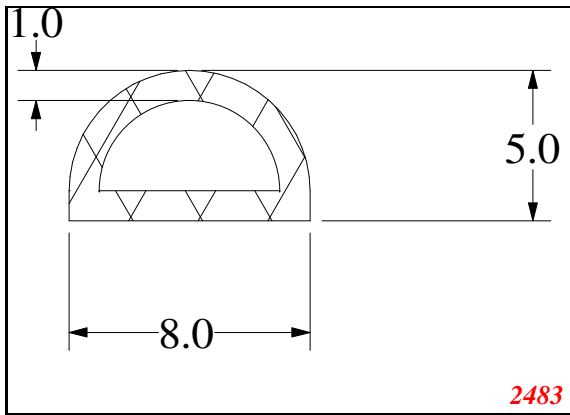
1874



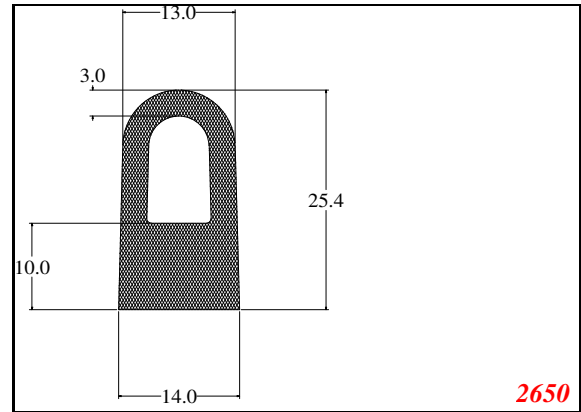
87



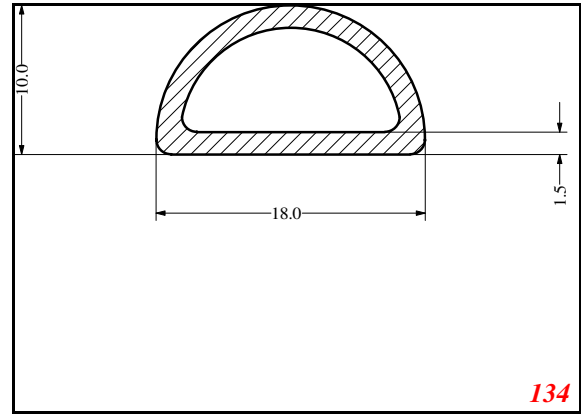
3847



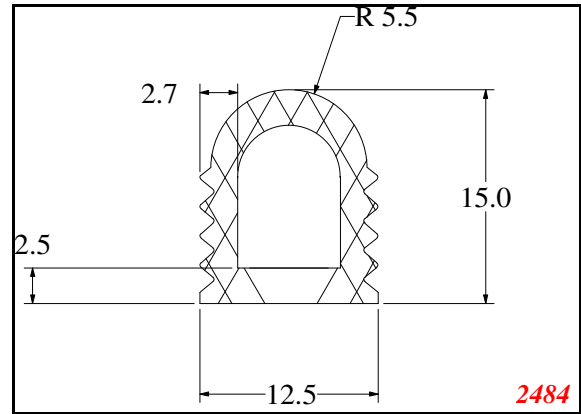
2483



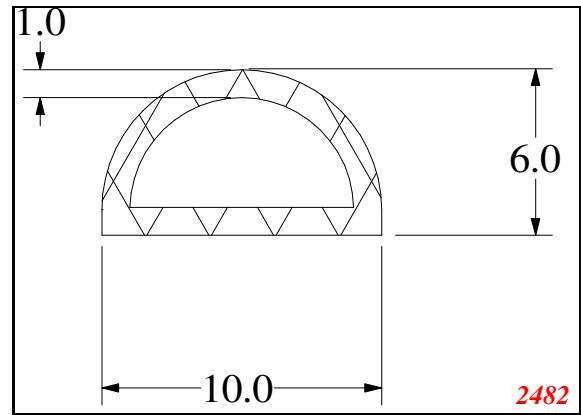
2650



134

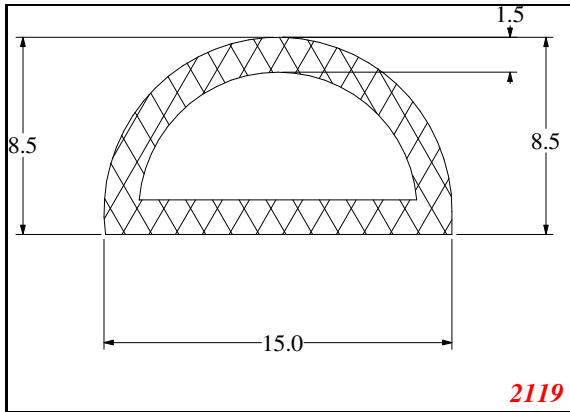


2484

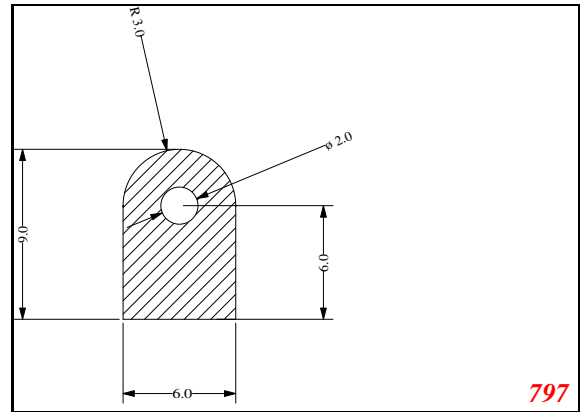


2482

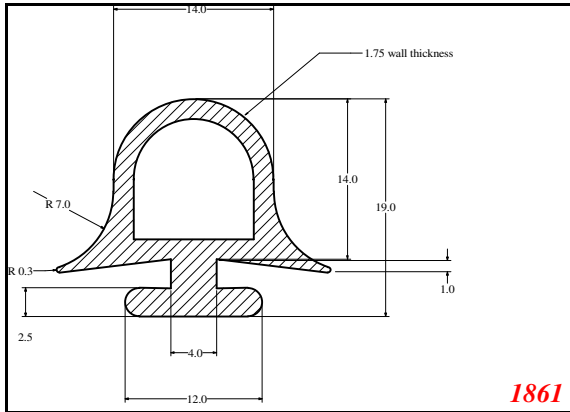
D-Hollow



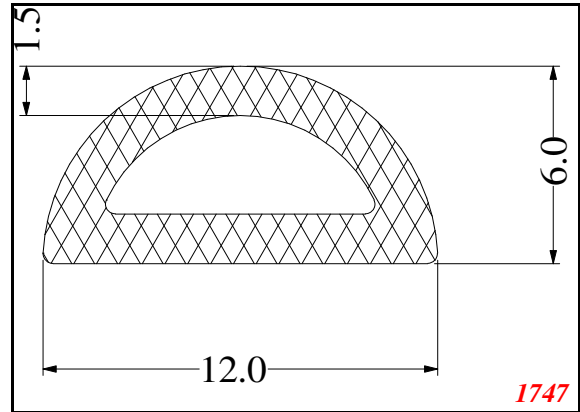
2119



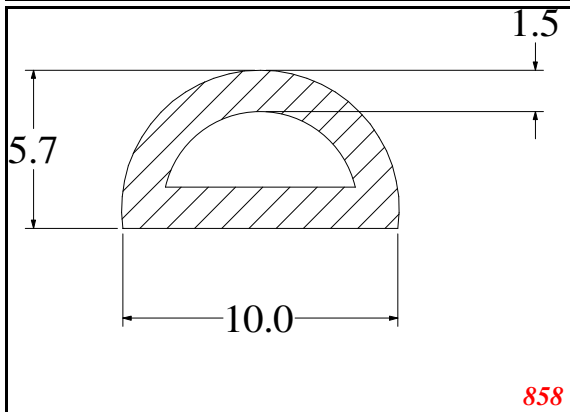
797



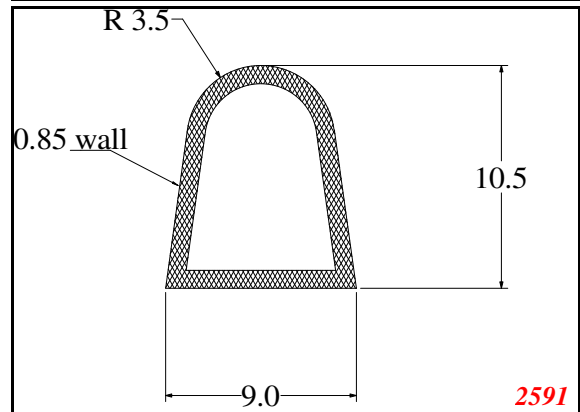
1861



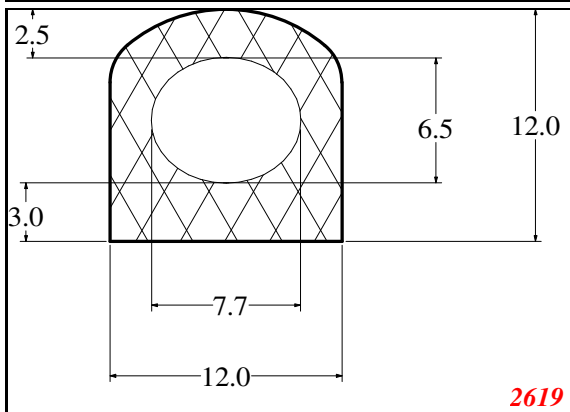
1747



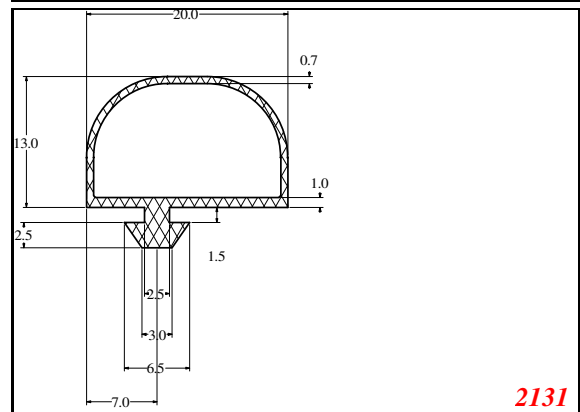
858



2591

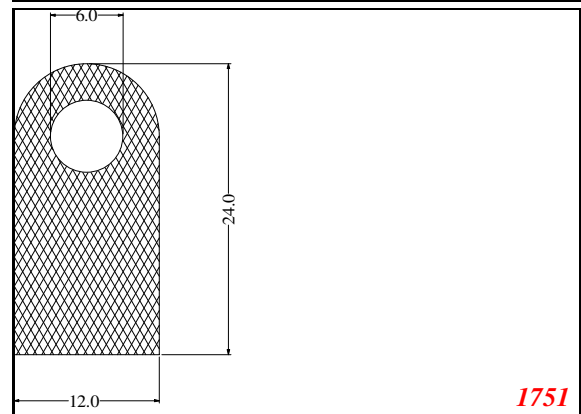
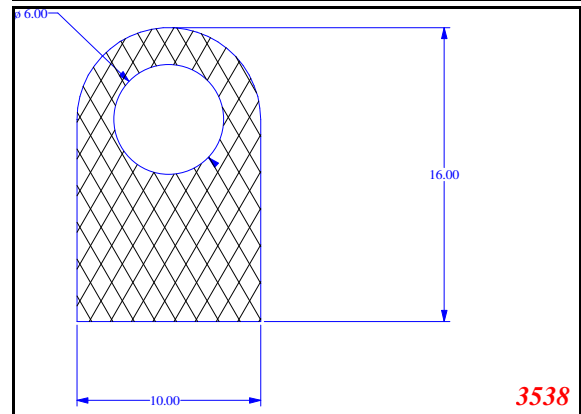
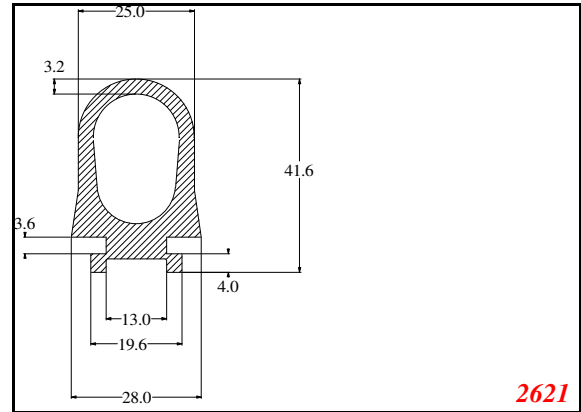
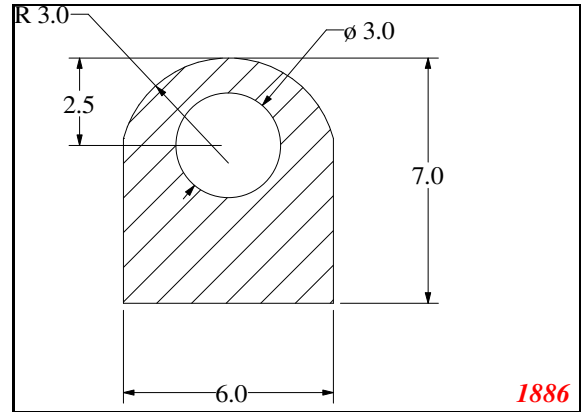
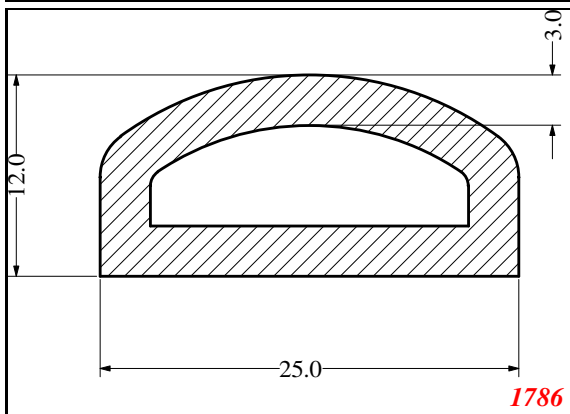
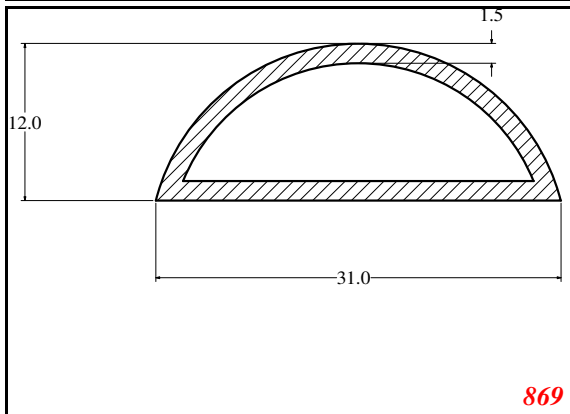
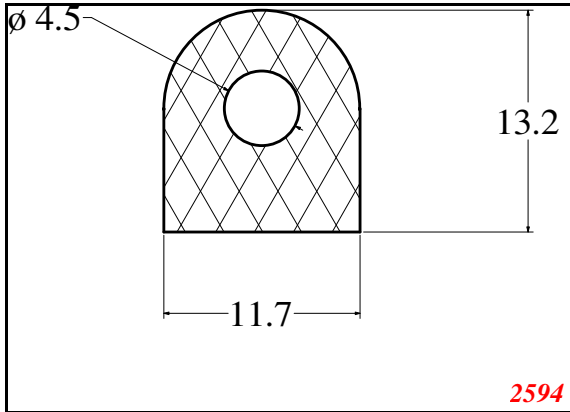
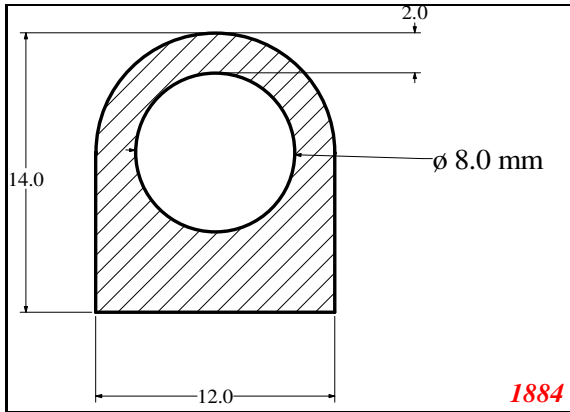


2619

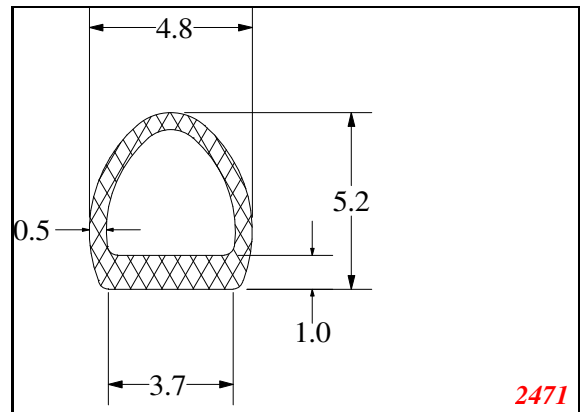
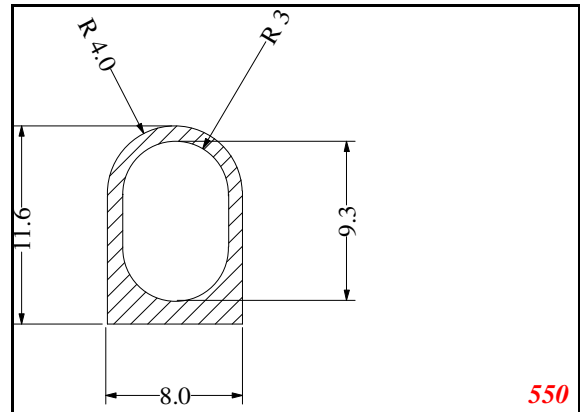
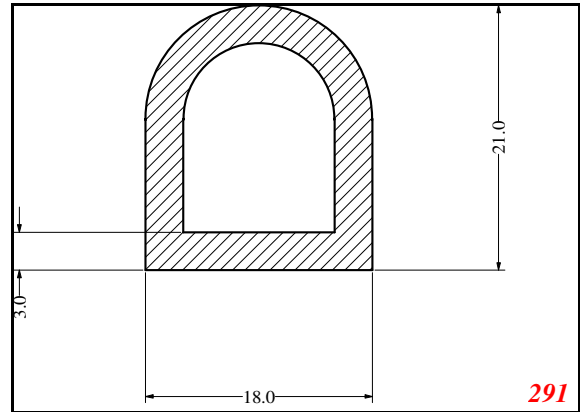
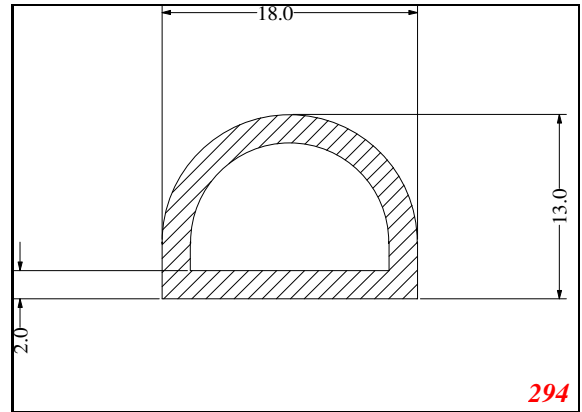
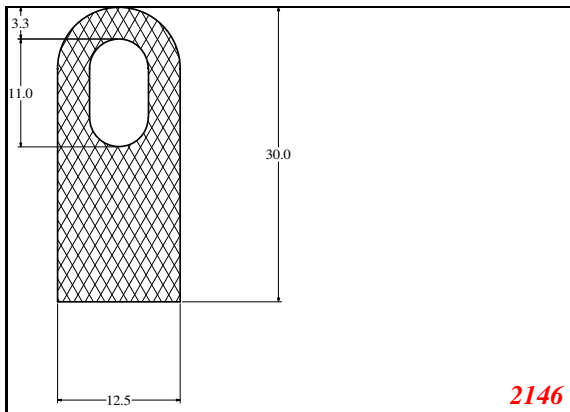
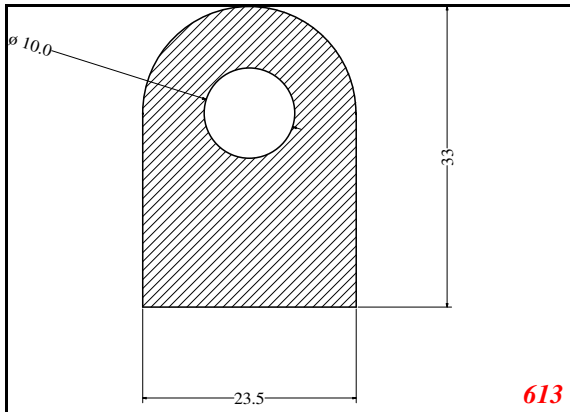
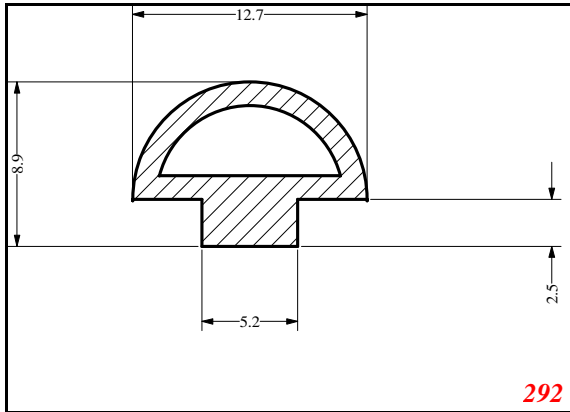
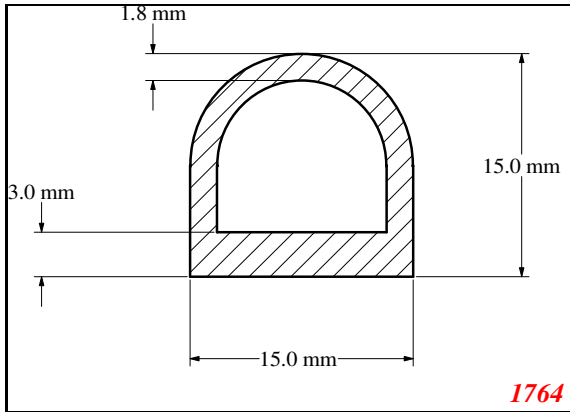


2131

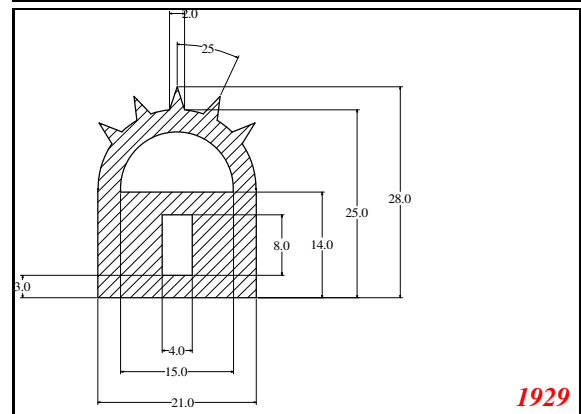
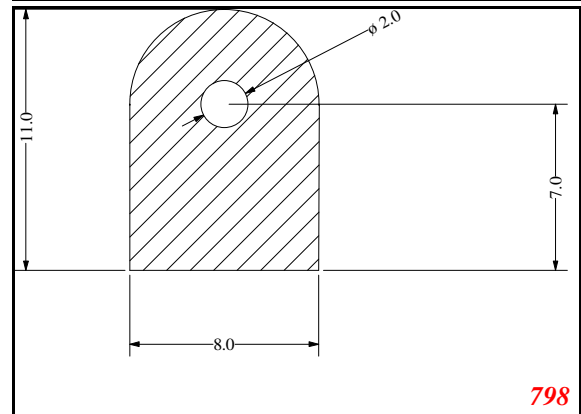
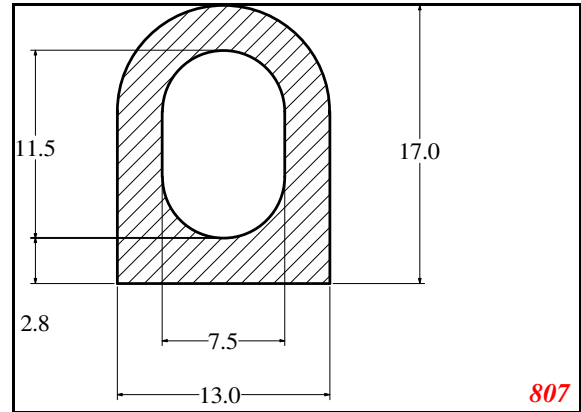
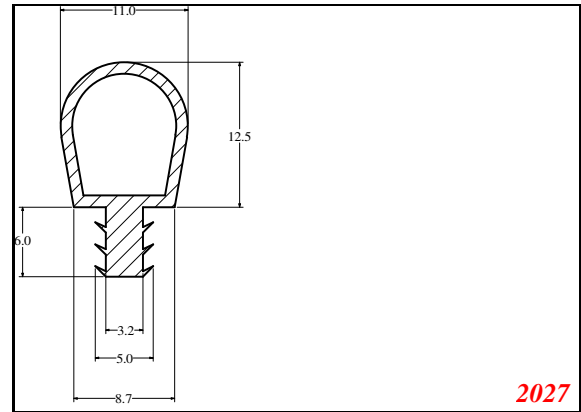
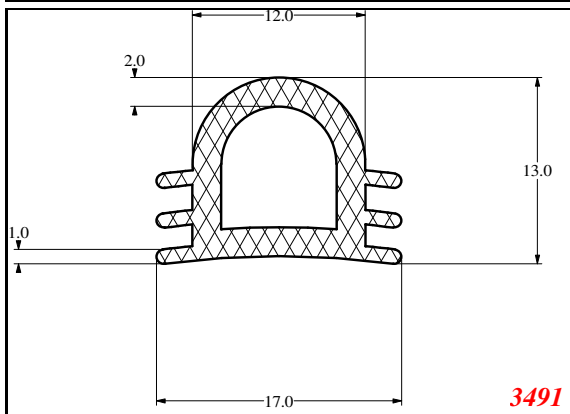
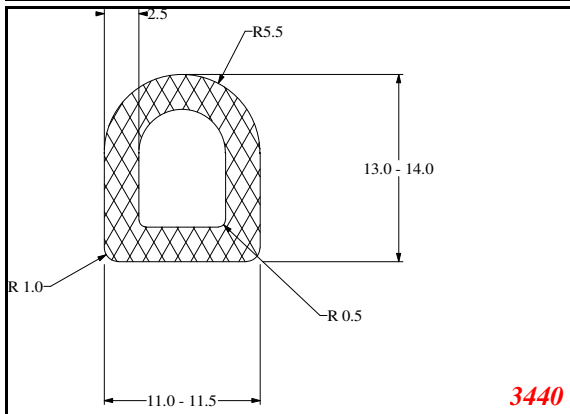
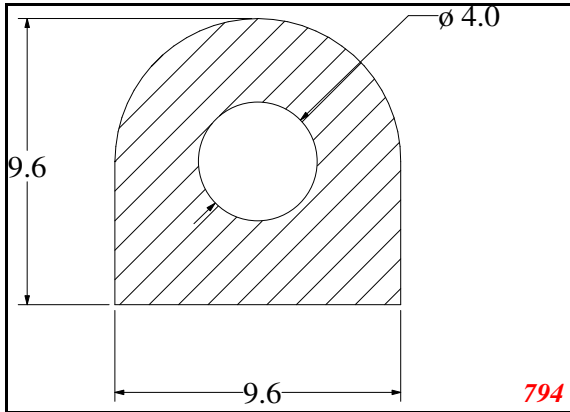
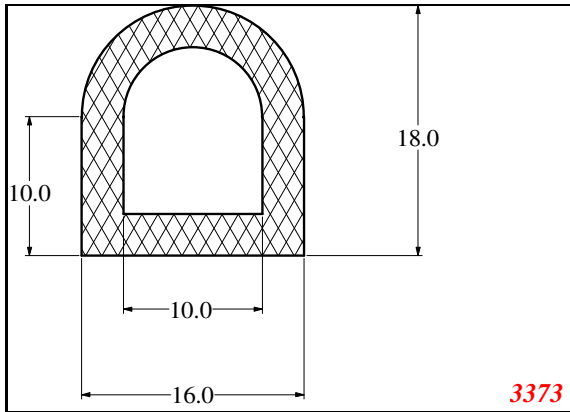
D-Hollow



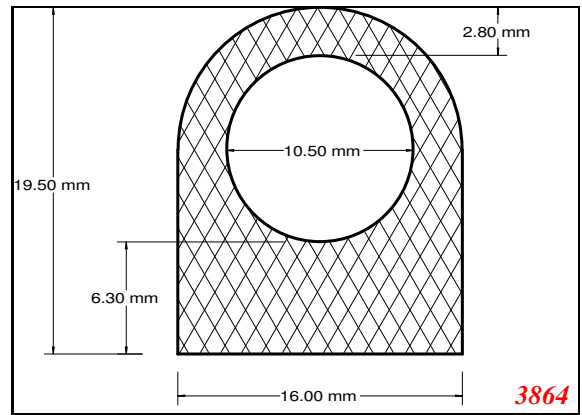
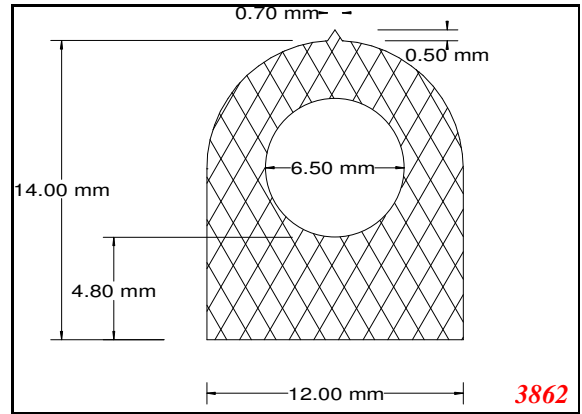
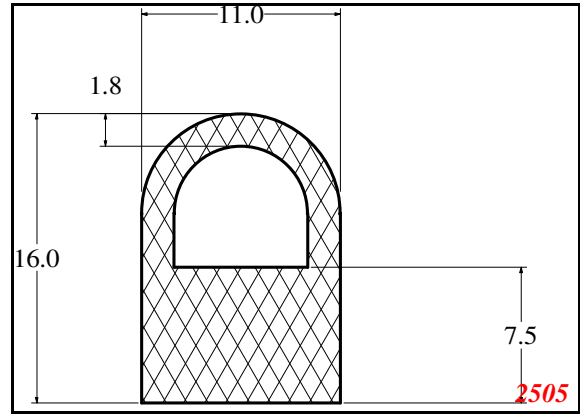
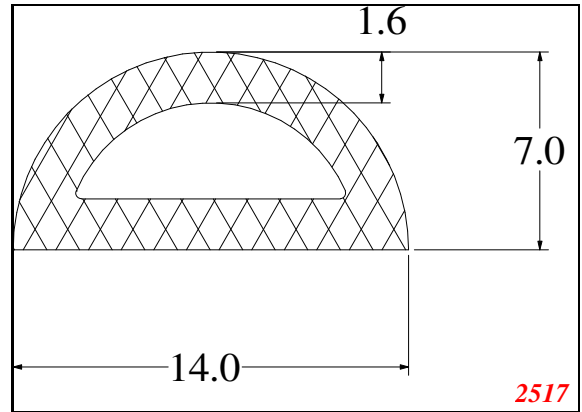
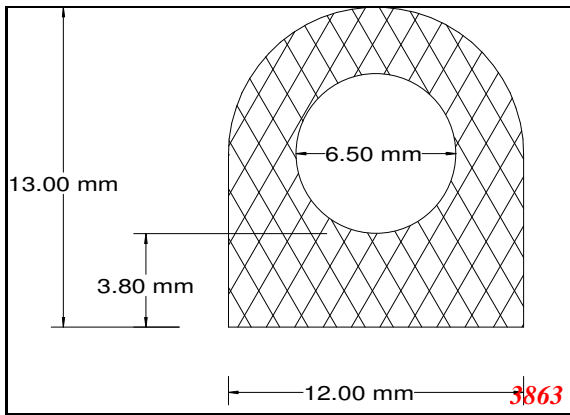
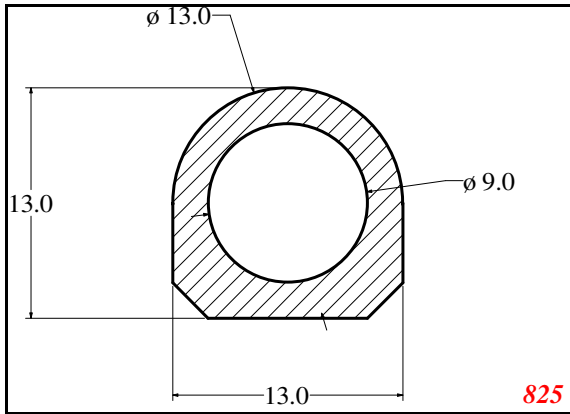
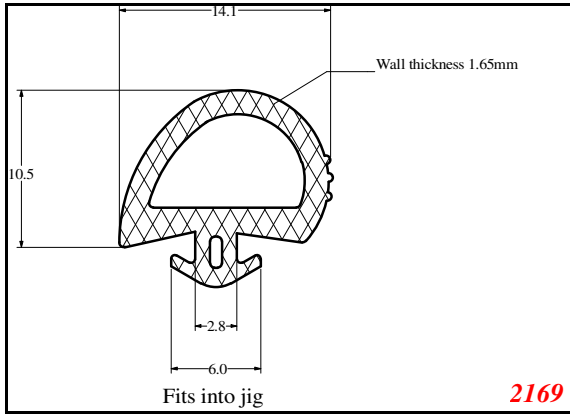
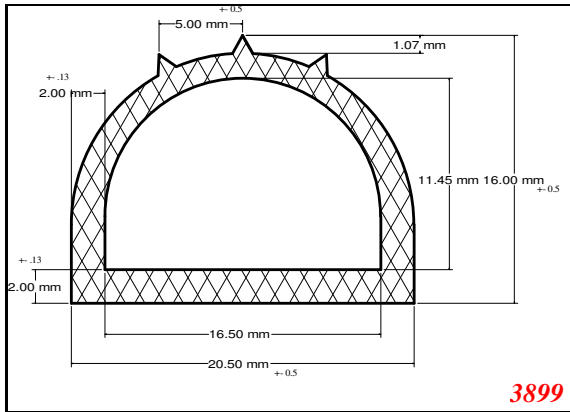
D-Hollow



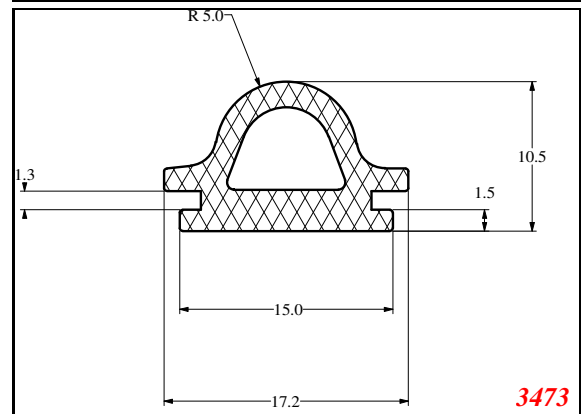
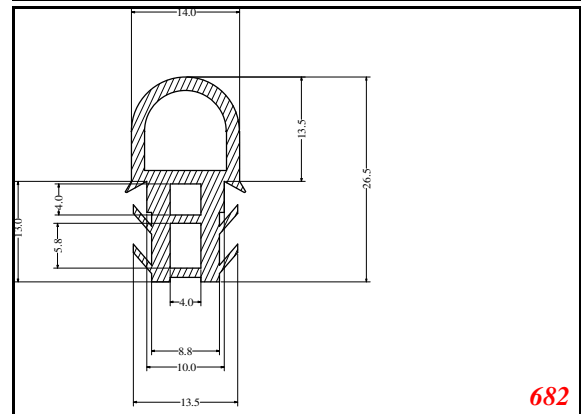
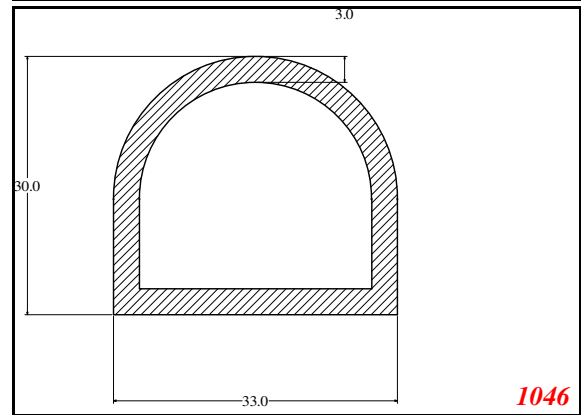
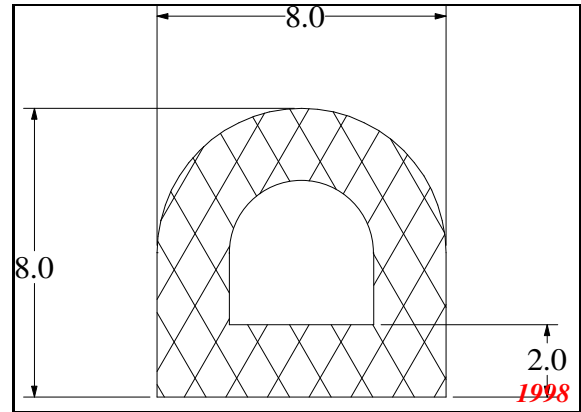
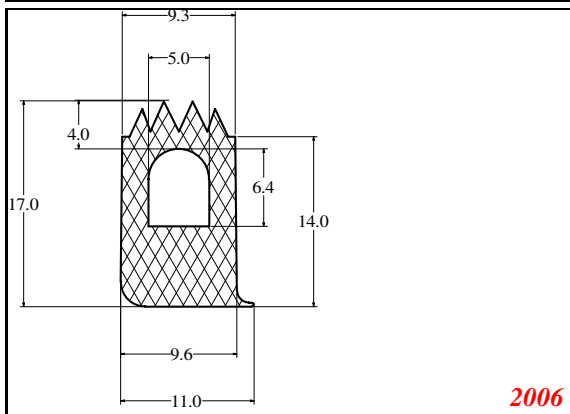
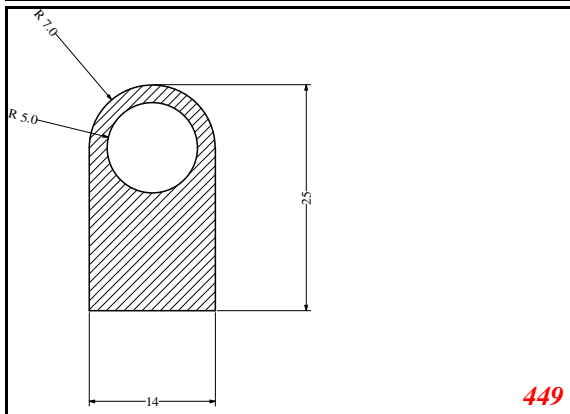
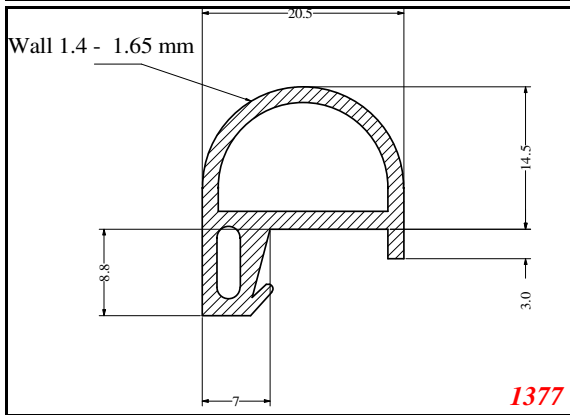
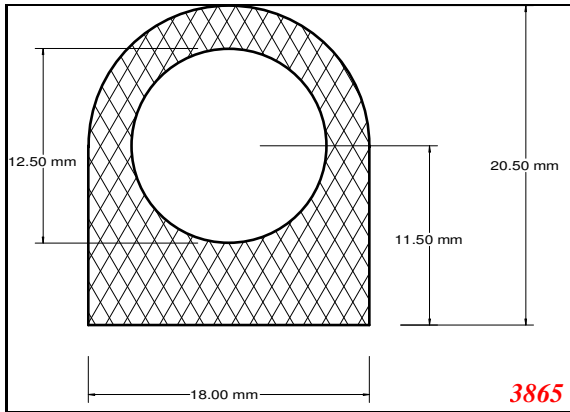
D-Hollow



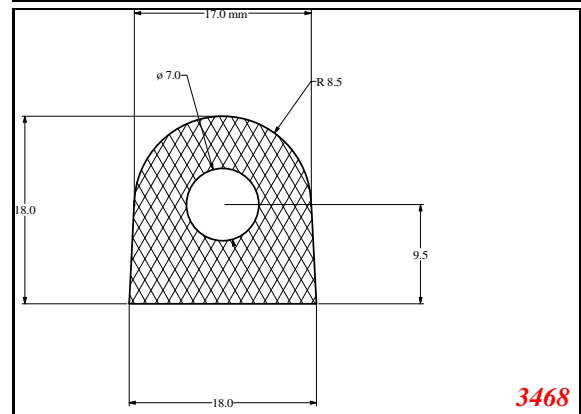
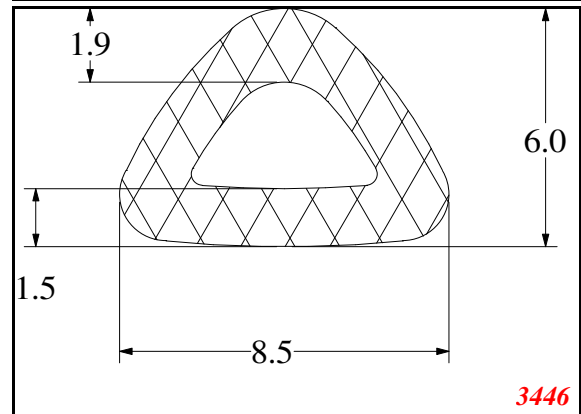
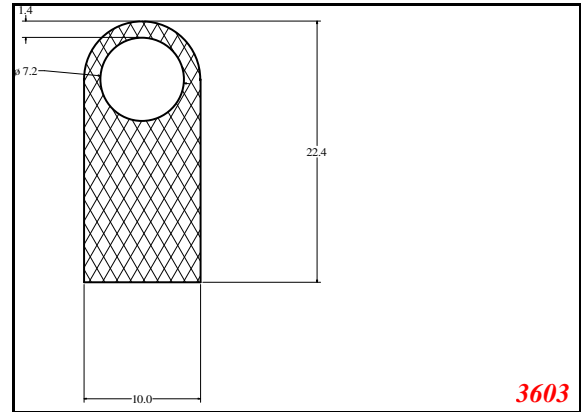
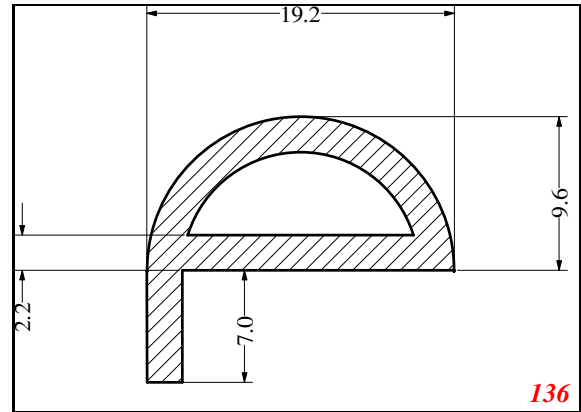
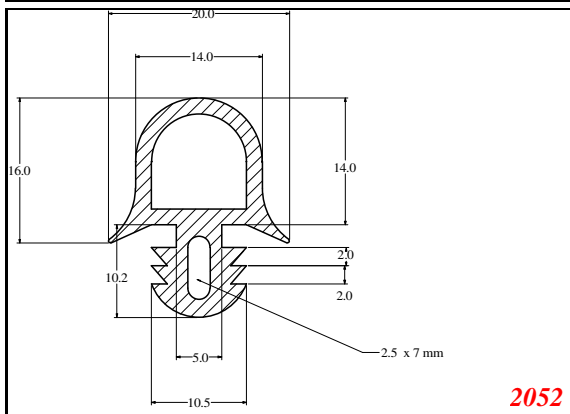
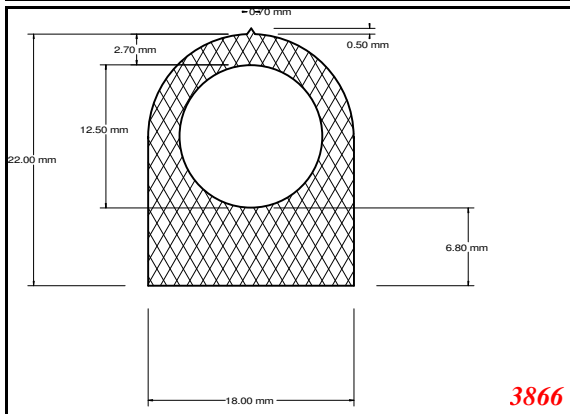
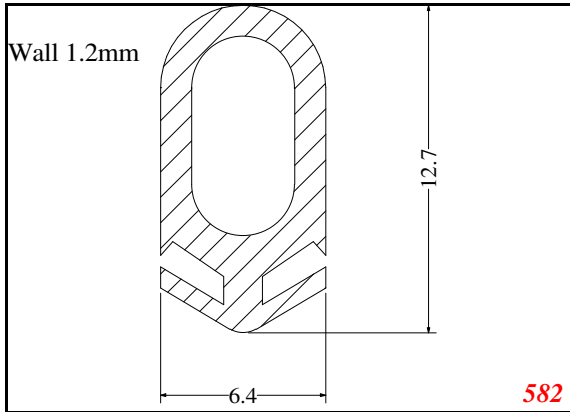
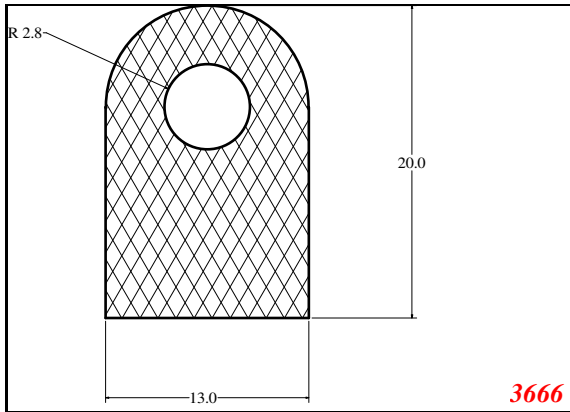
D-Hollow



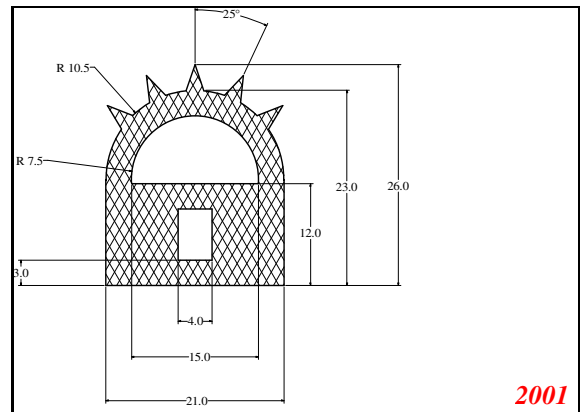
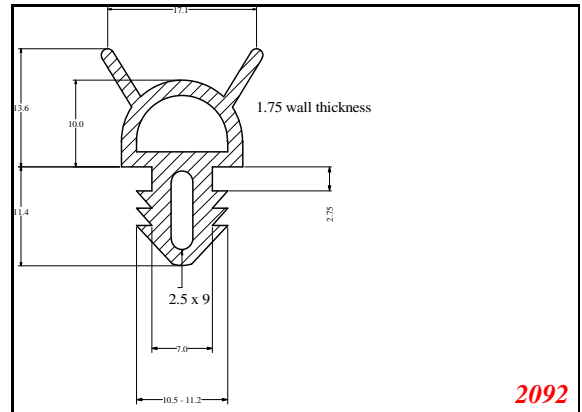
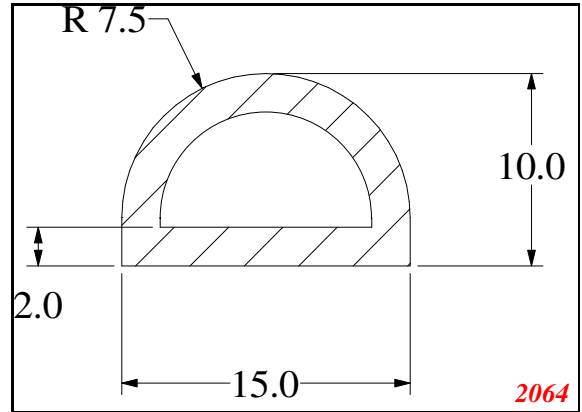
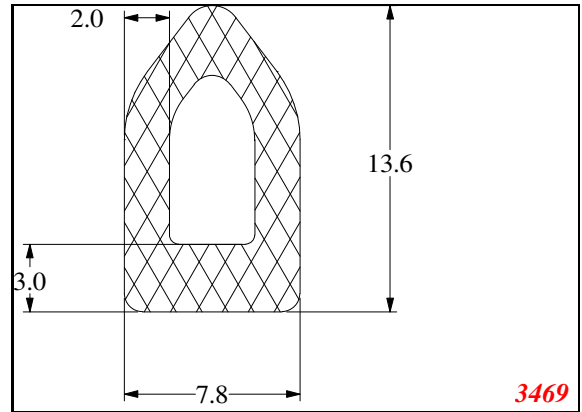
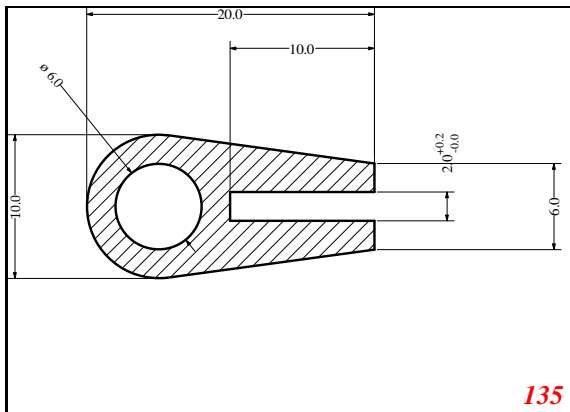
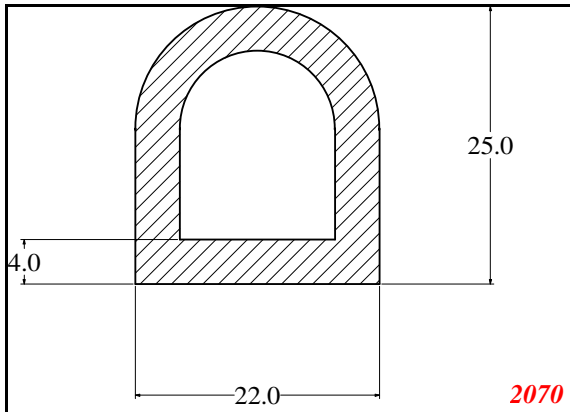
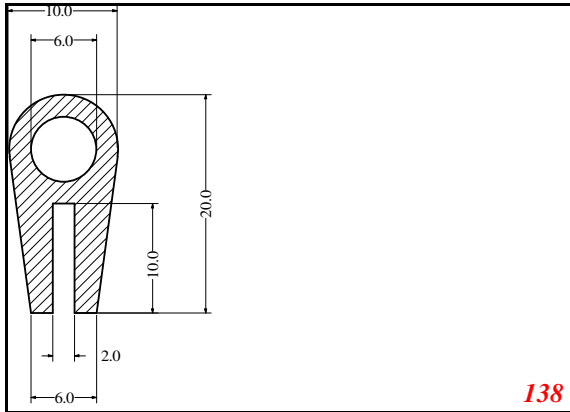
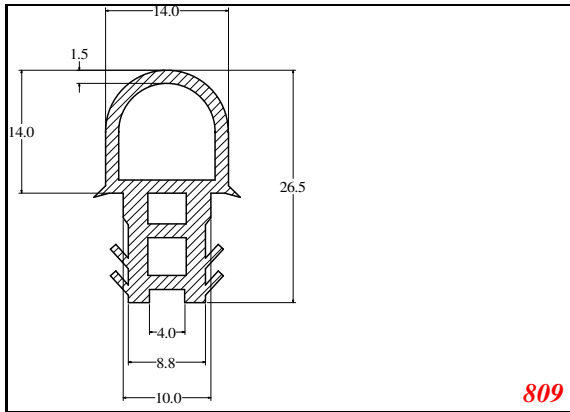
D-Hollow



D-Hollow



D-Hollow



D-Hollow

