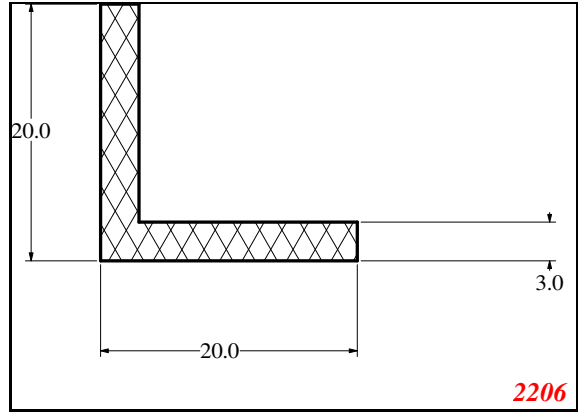
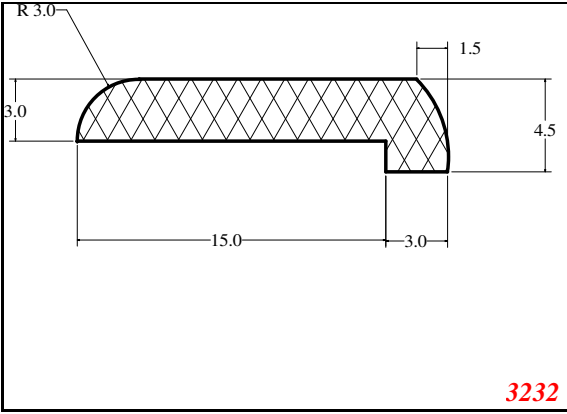
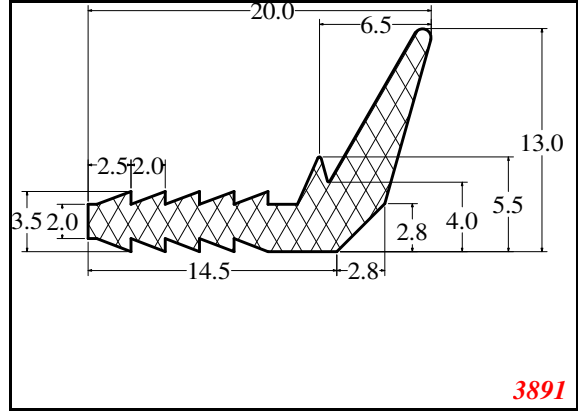
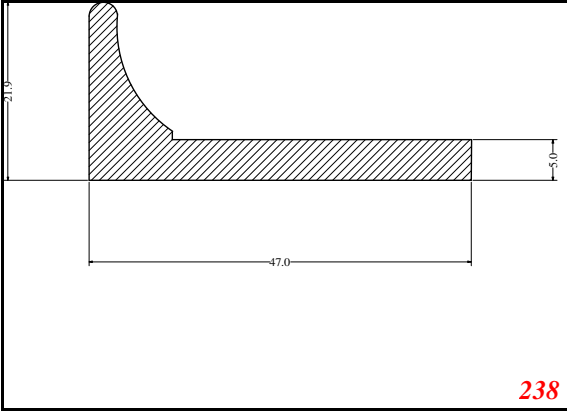
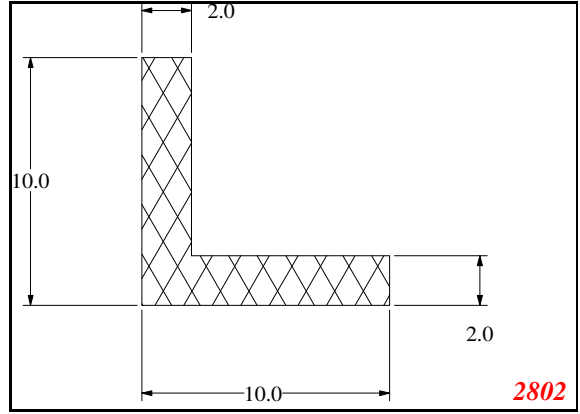
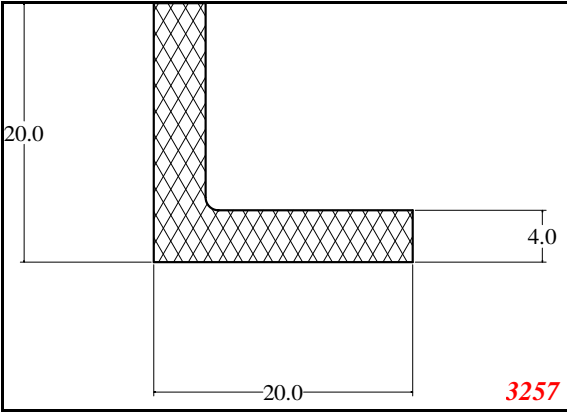
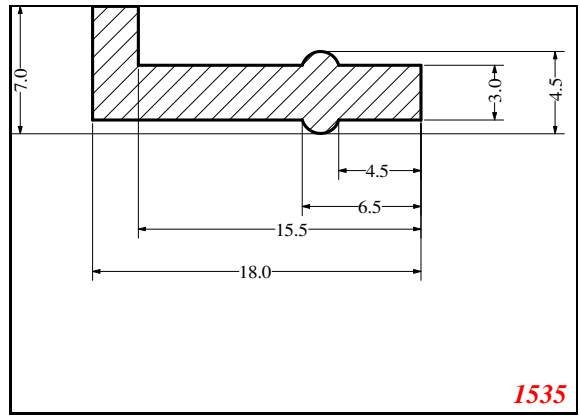
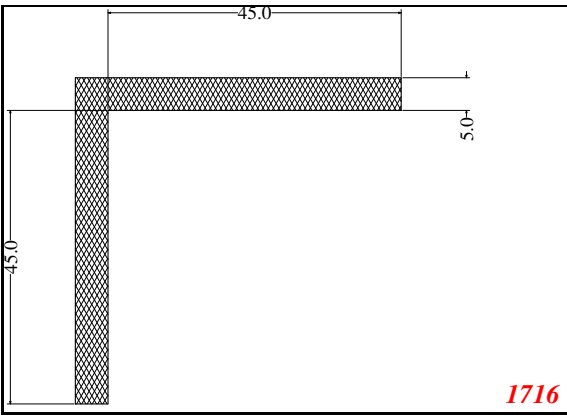
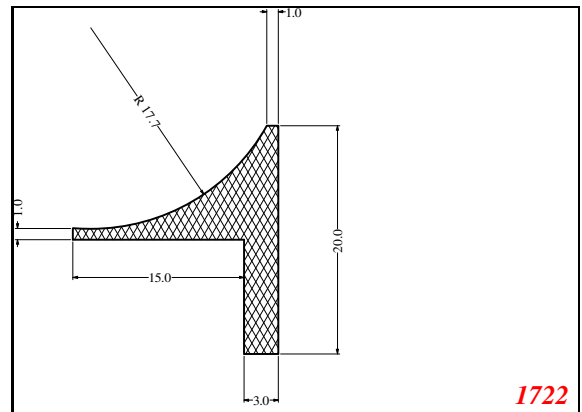
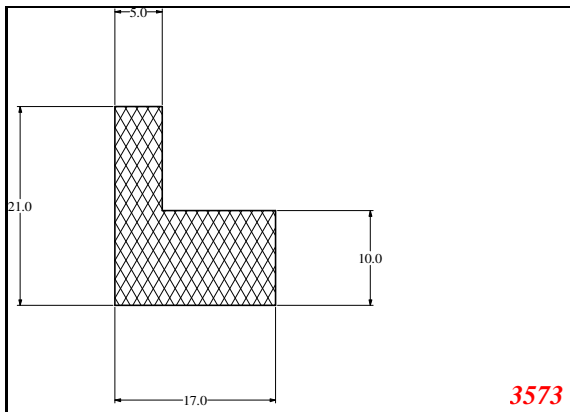
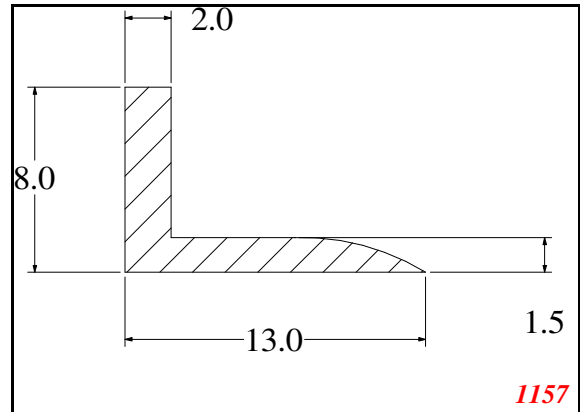
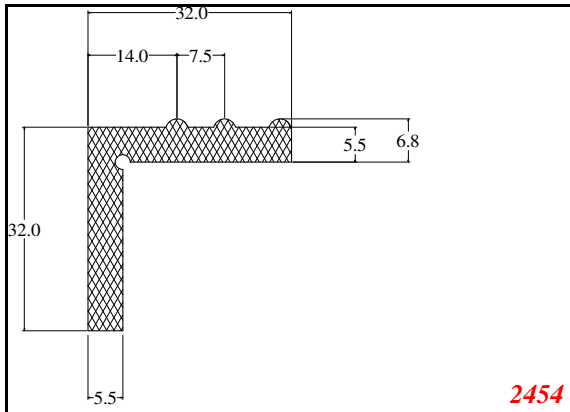
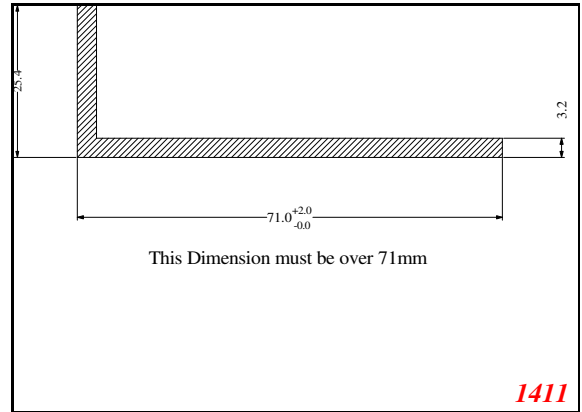
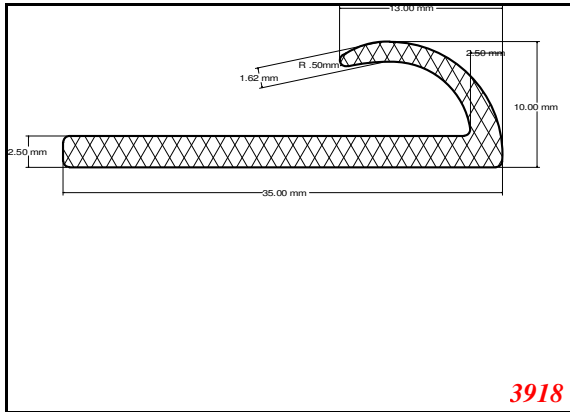
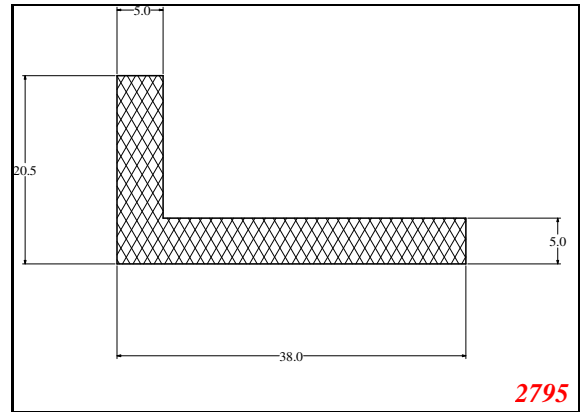
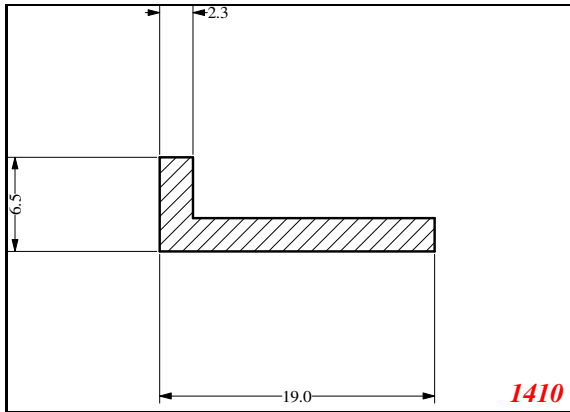


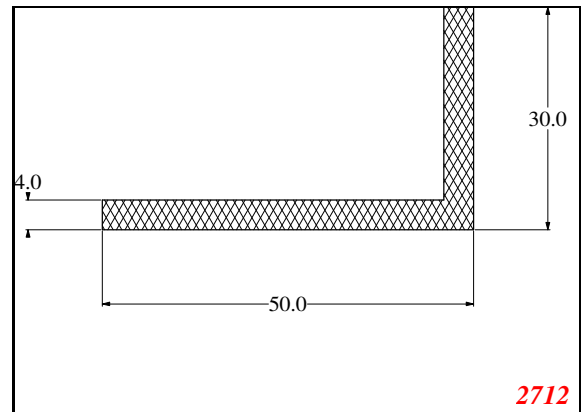
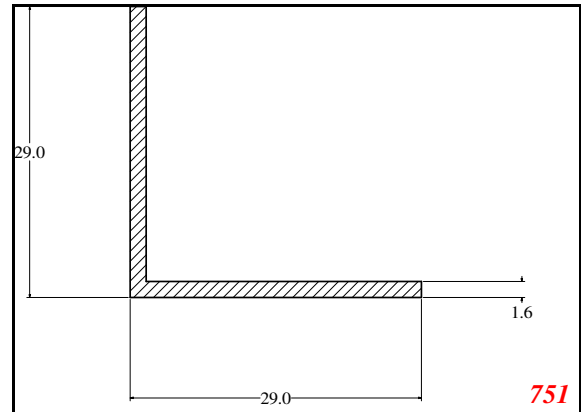
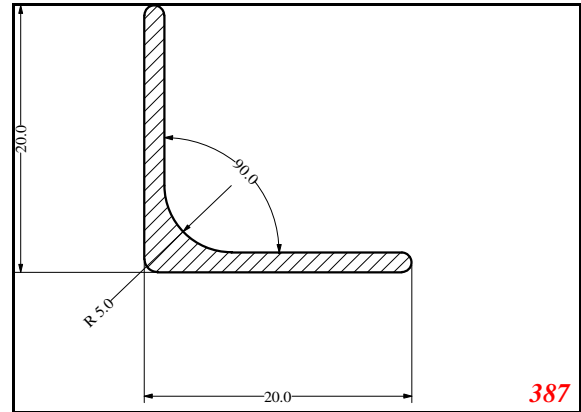
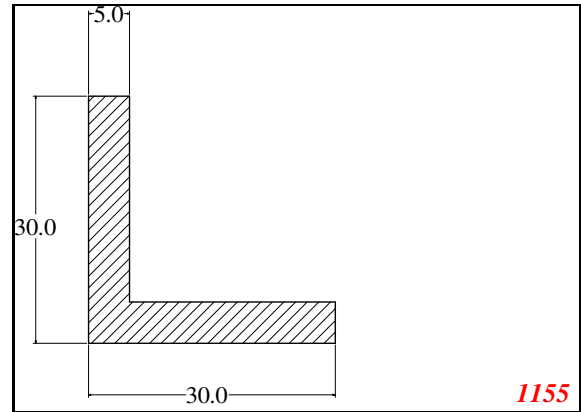
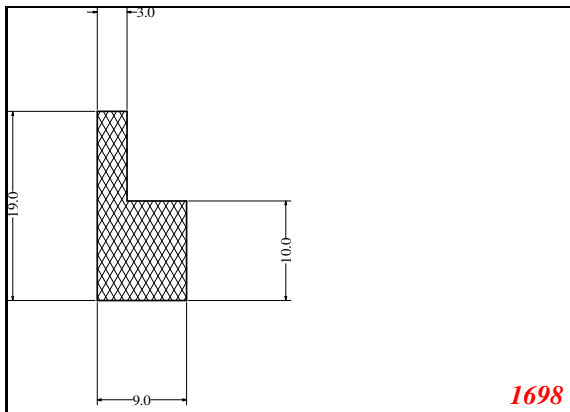
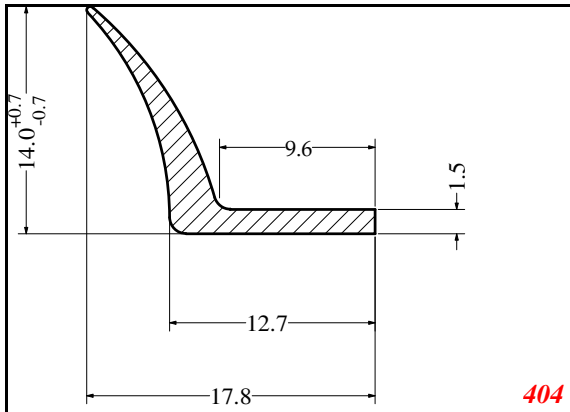
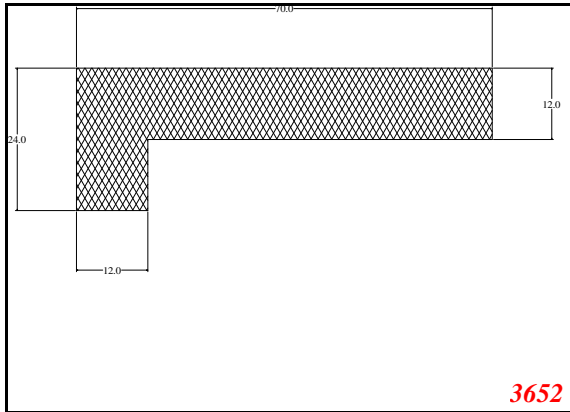
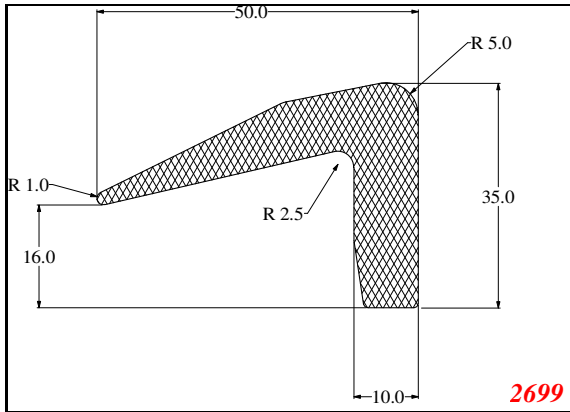
**L-Section**



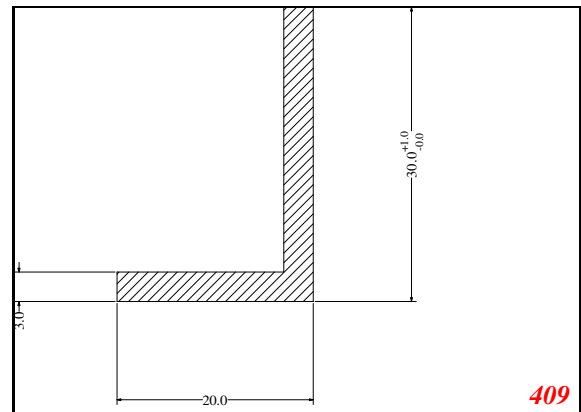
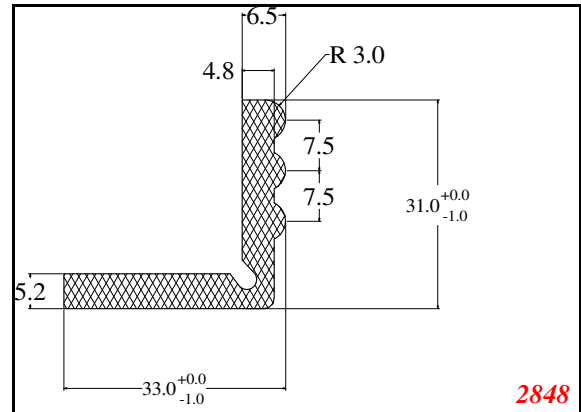
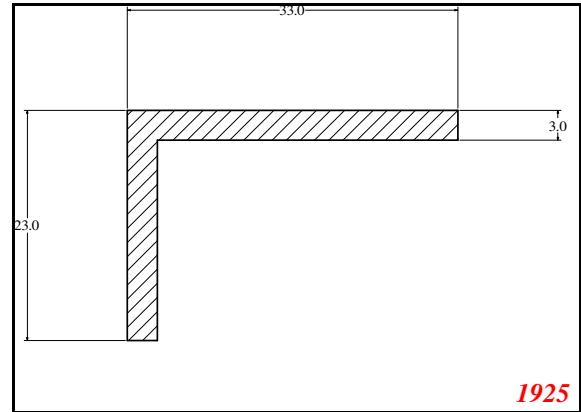
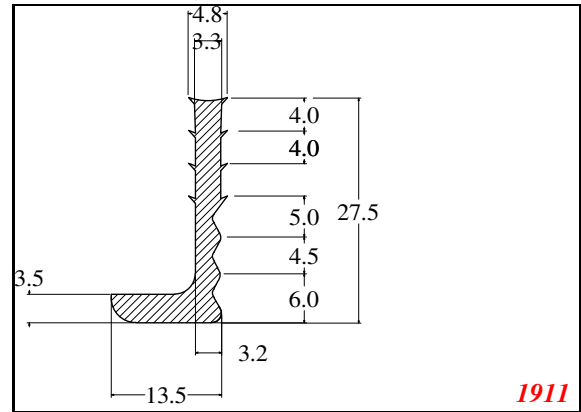
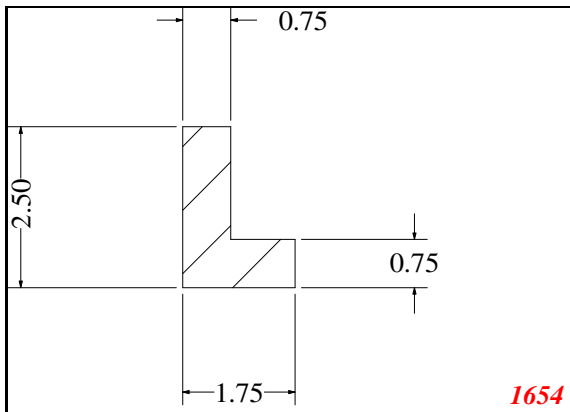
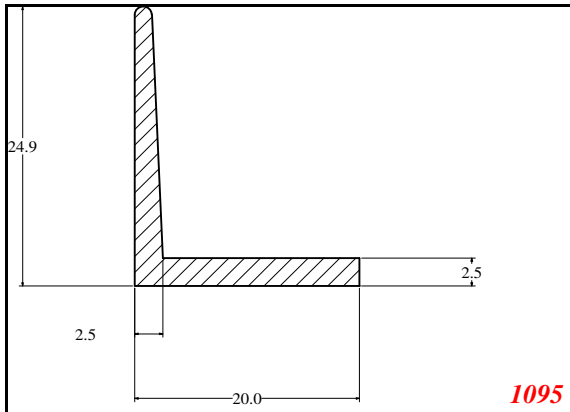
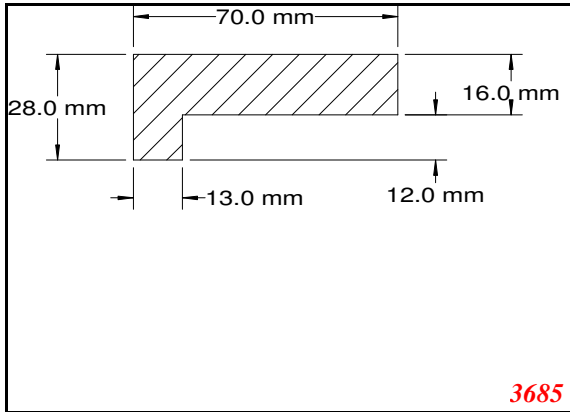
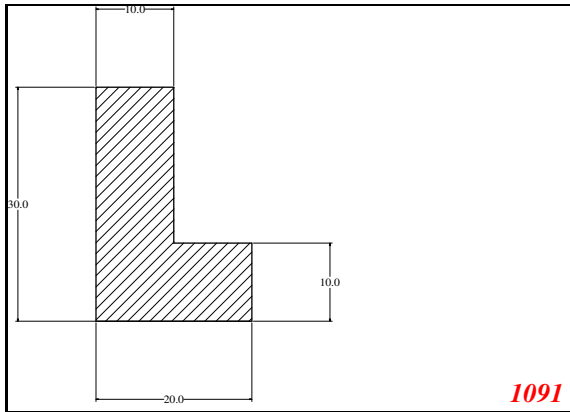
***L-Section***



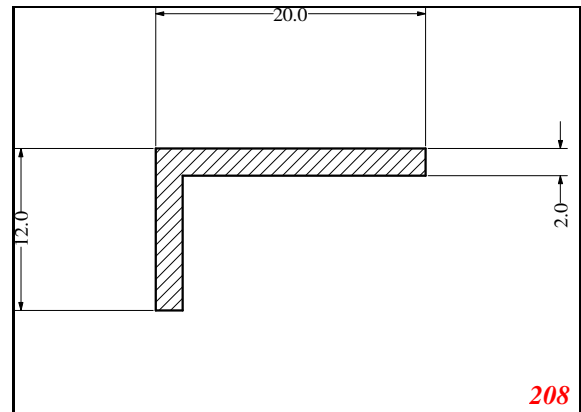
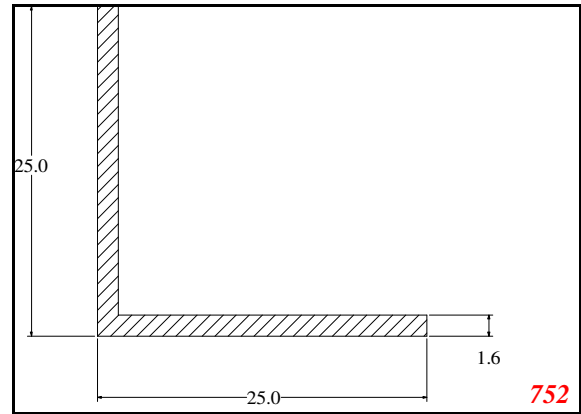
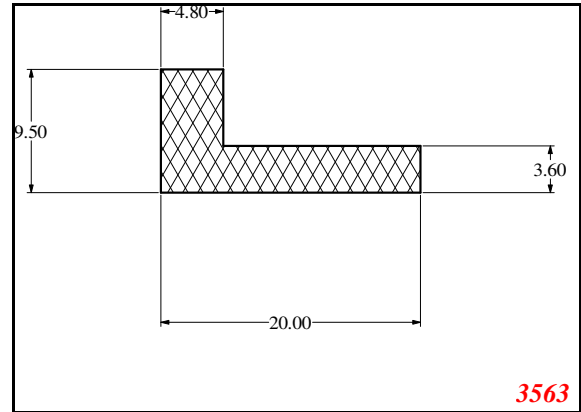
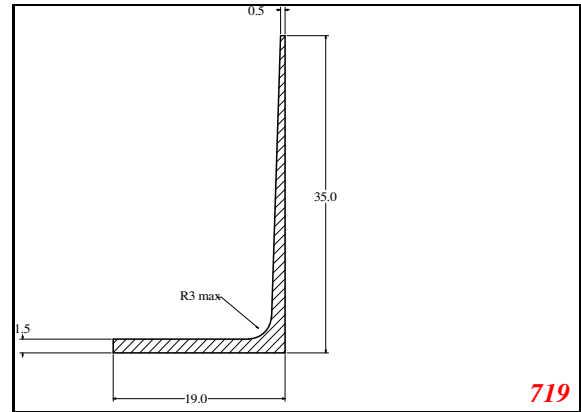
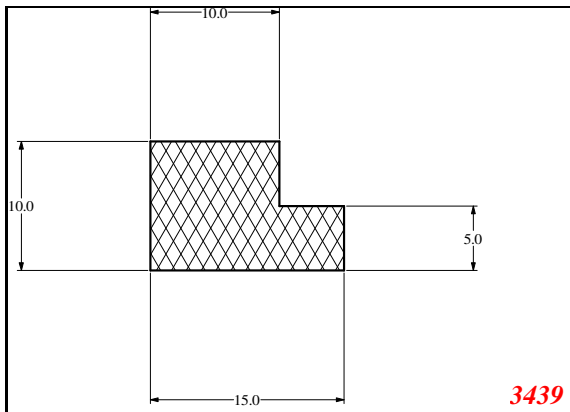
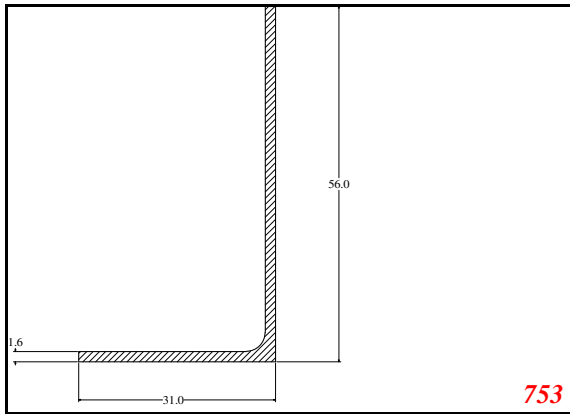
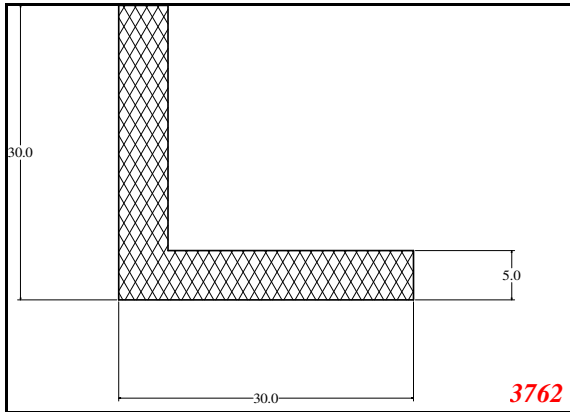
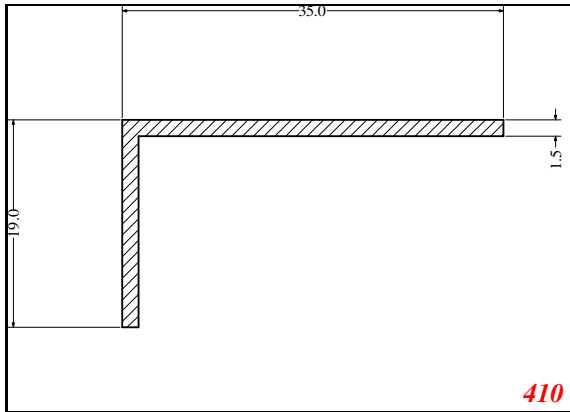
***L-Section***



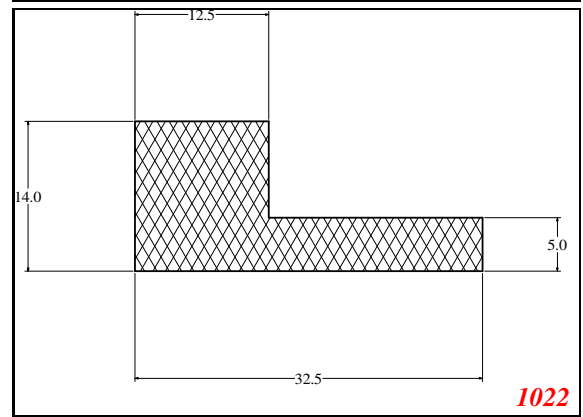
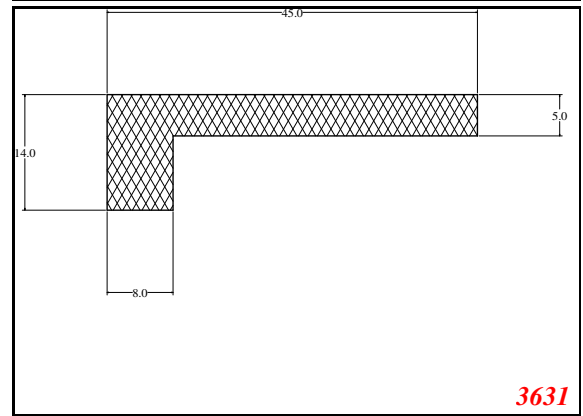
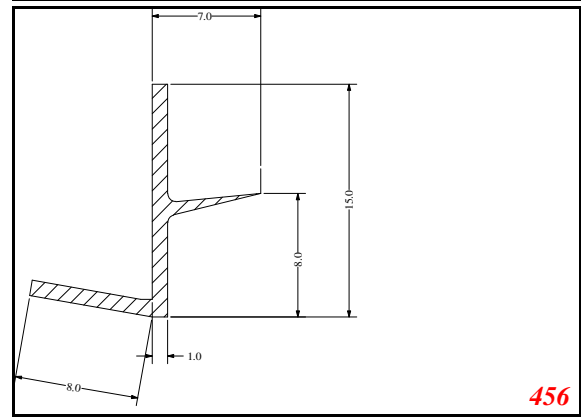
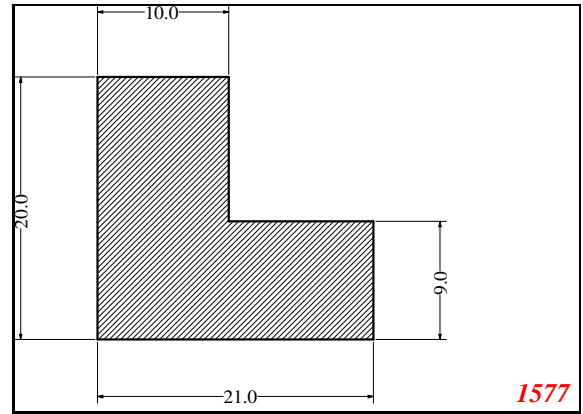
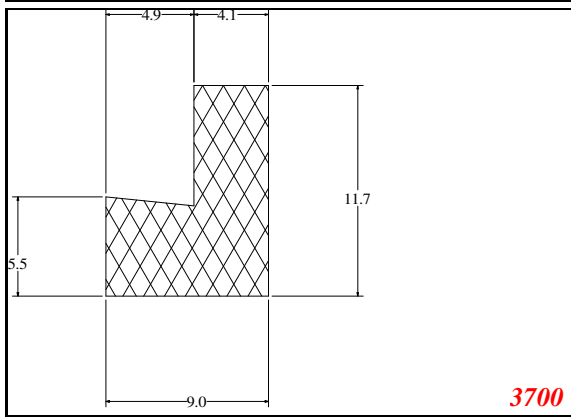
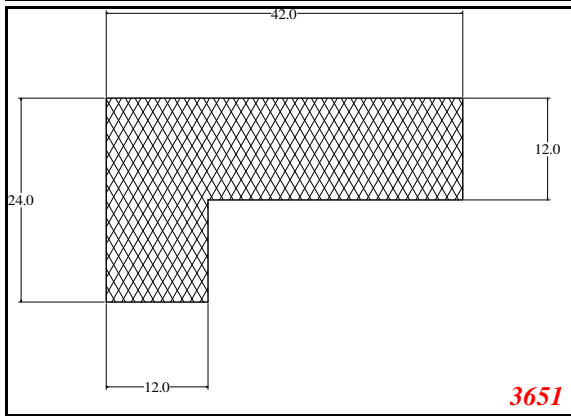
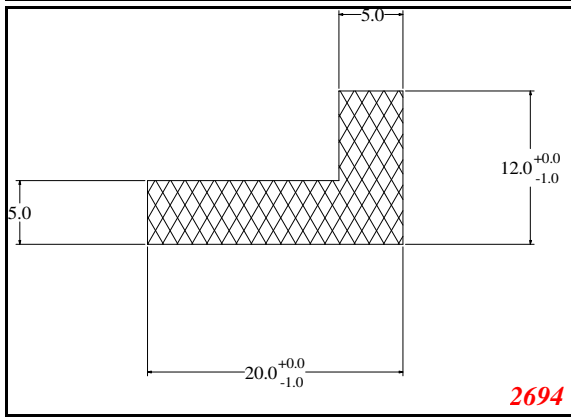
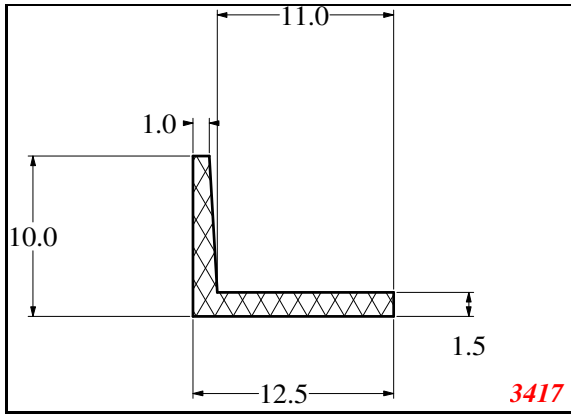
**L-Section**



L-Section



L-Section



***L-Section***

