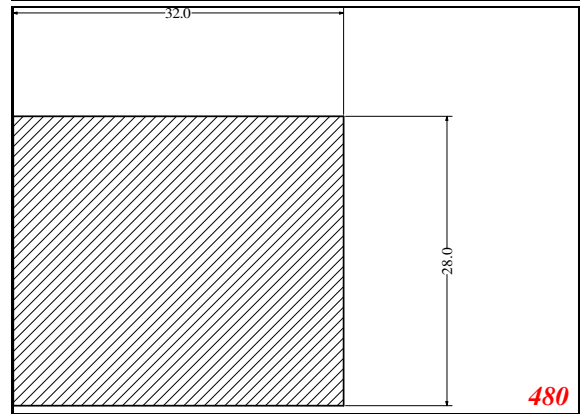
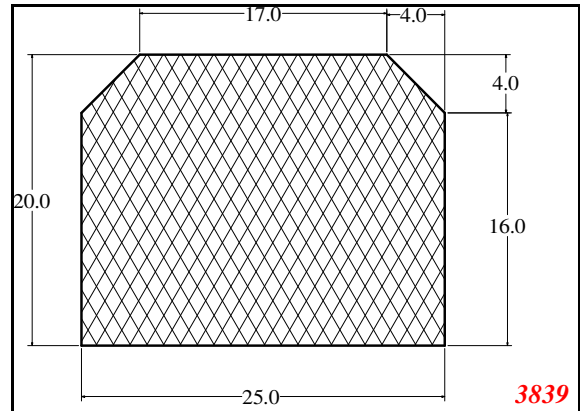
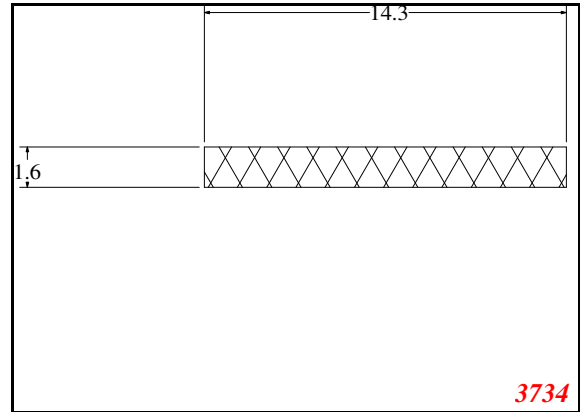
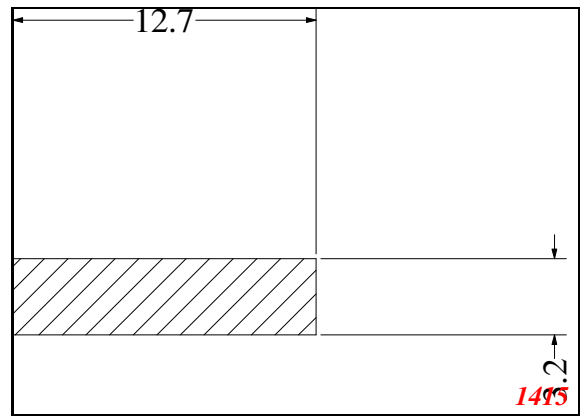
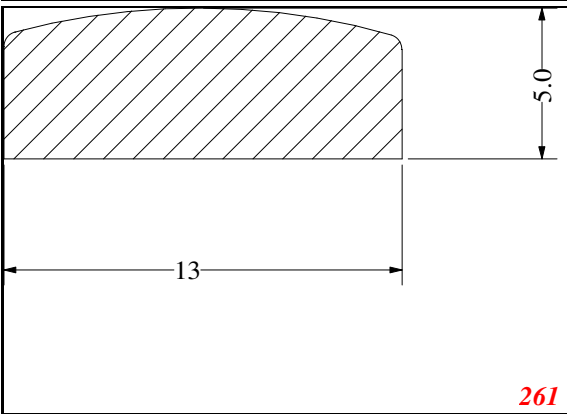
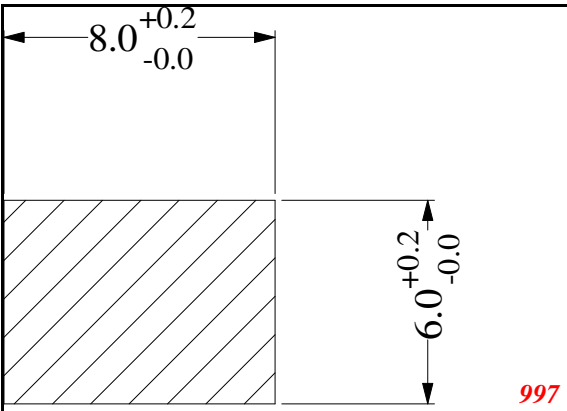
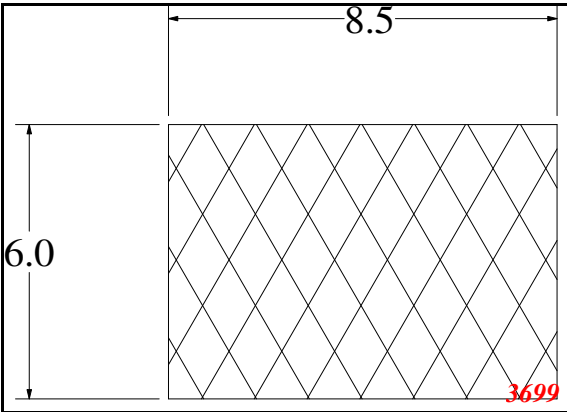
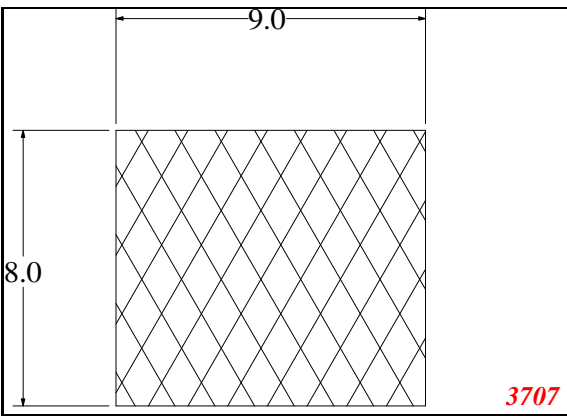
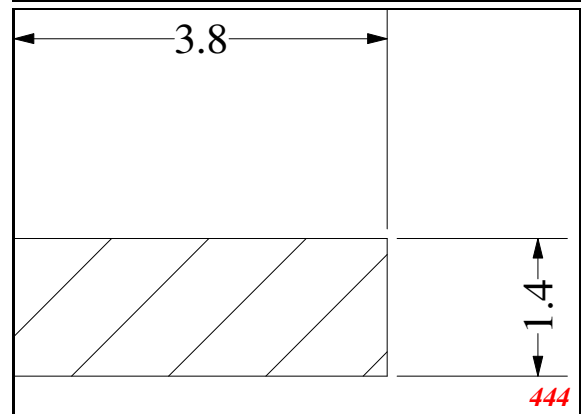
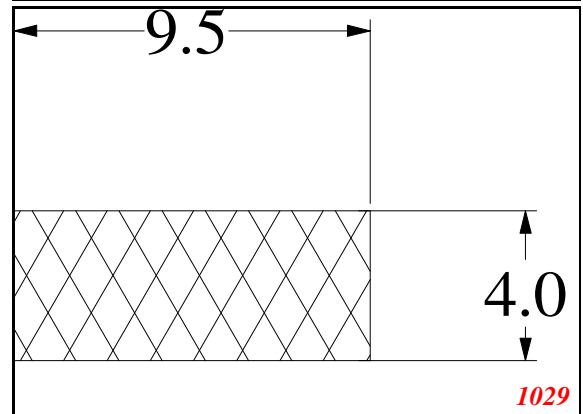
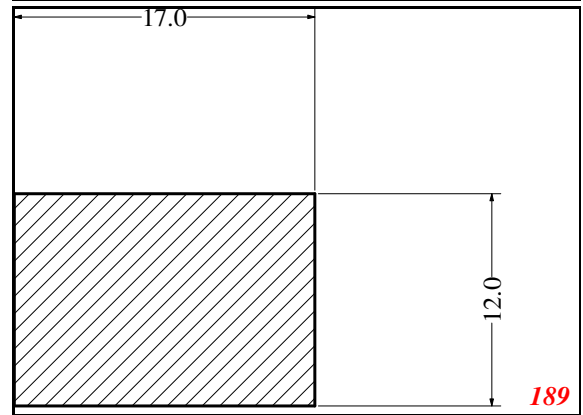
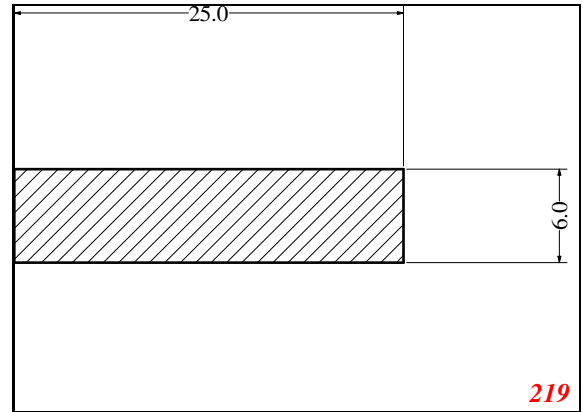
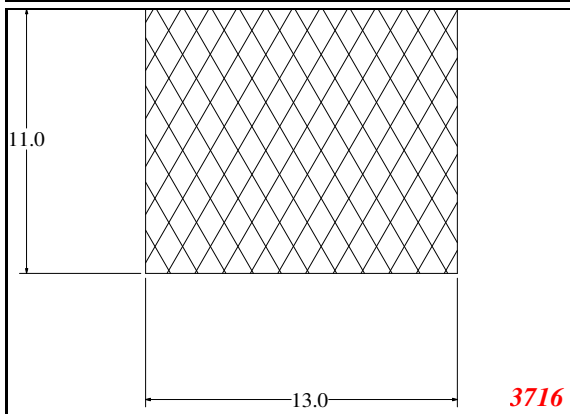
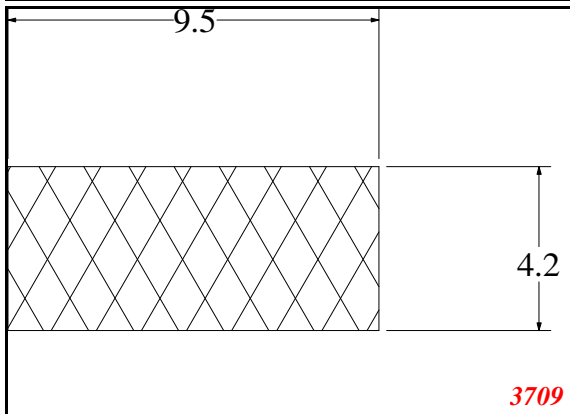
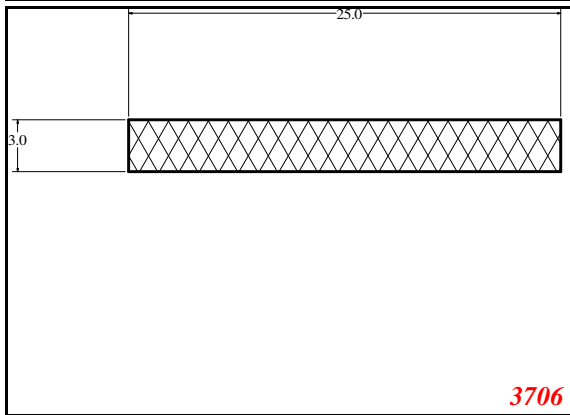
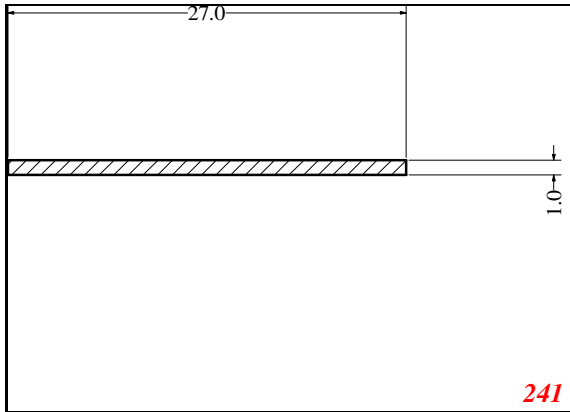


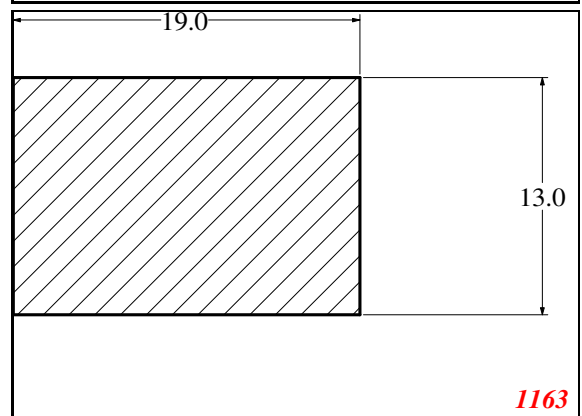
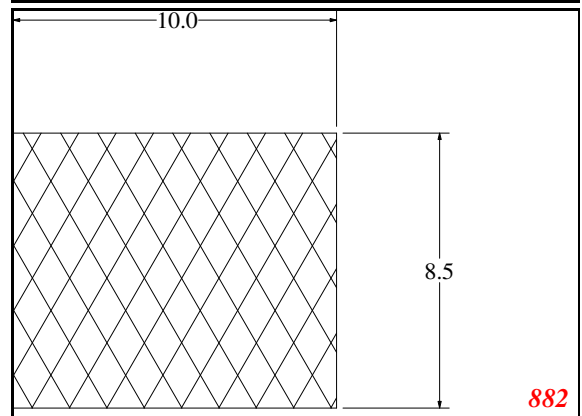
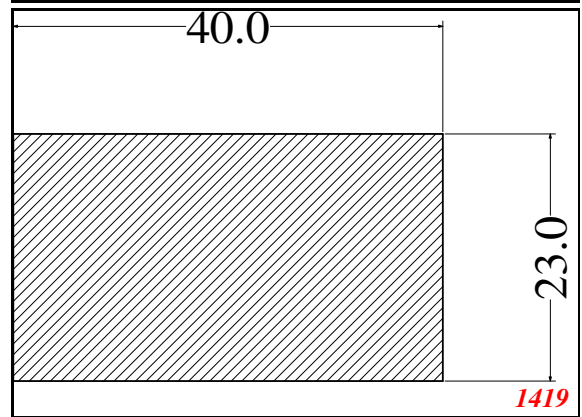
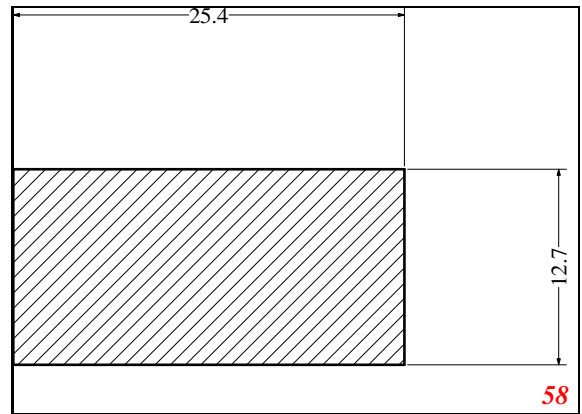
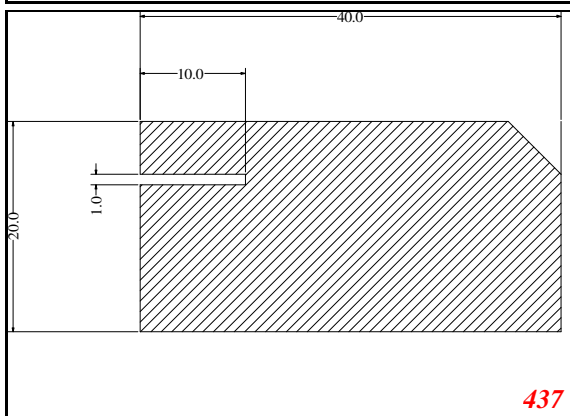
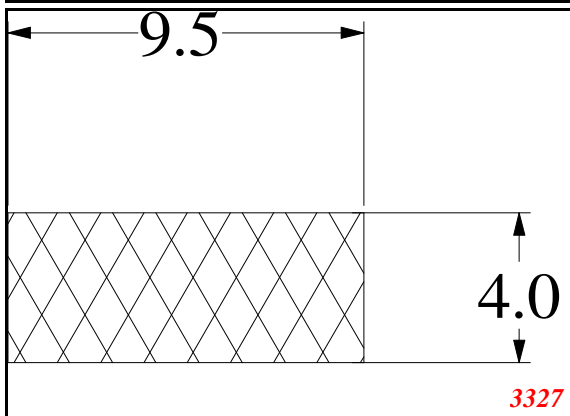
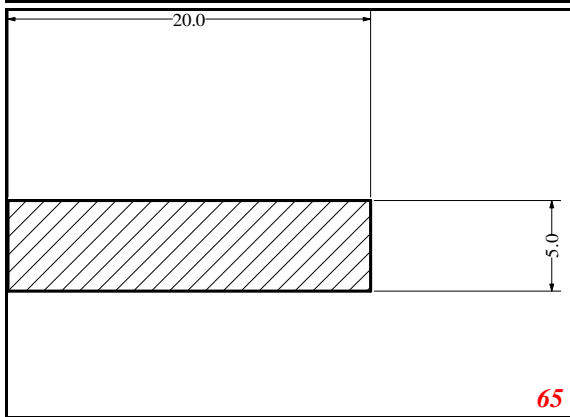
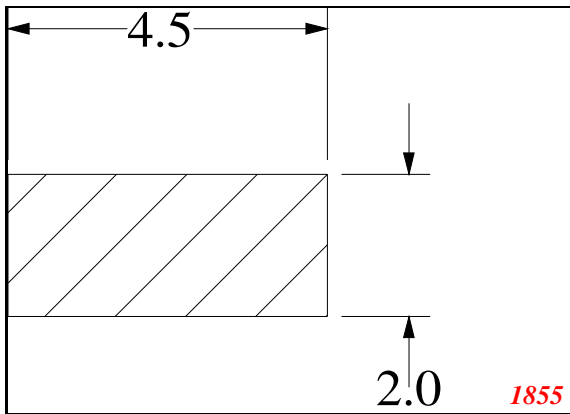
**Strip**



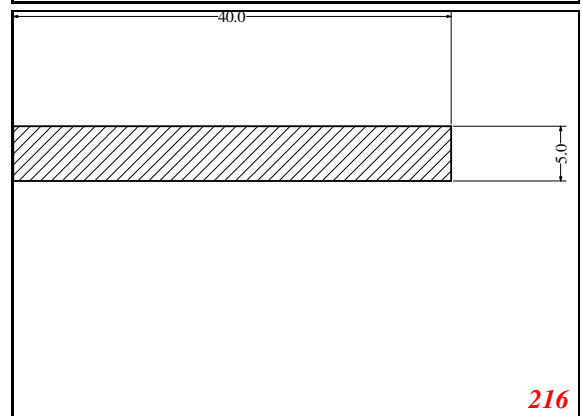
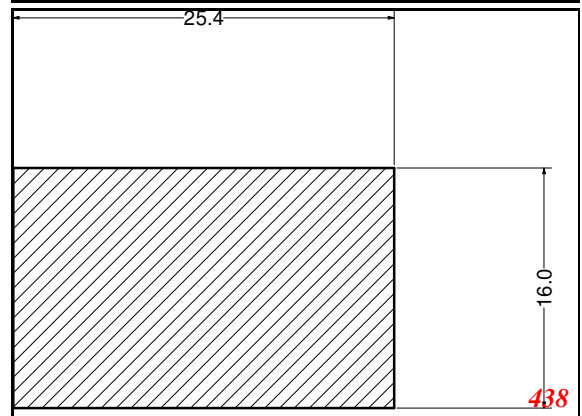
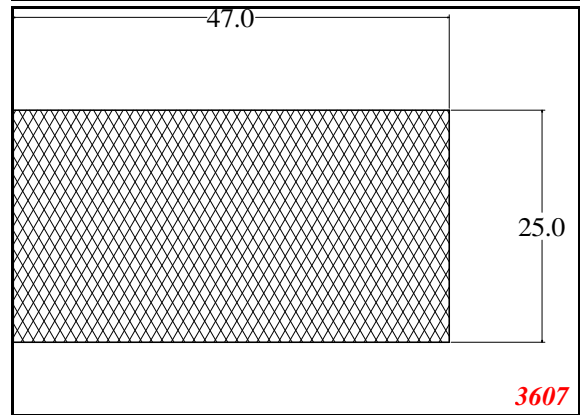
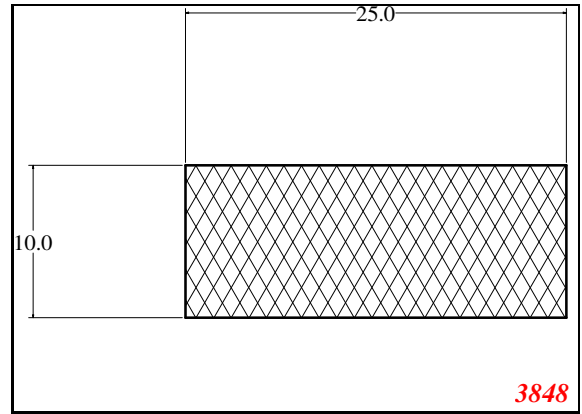
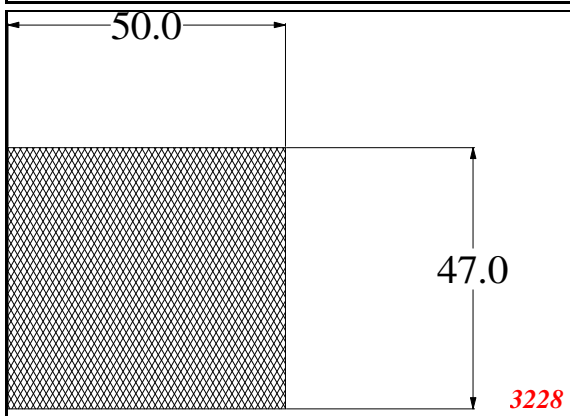
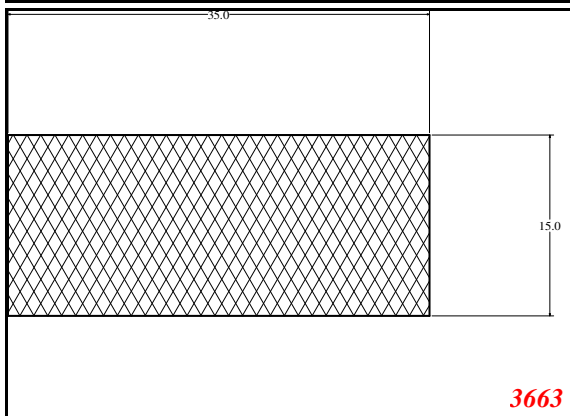
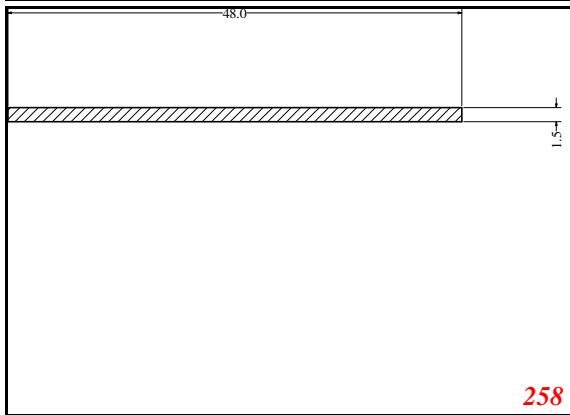
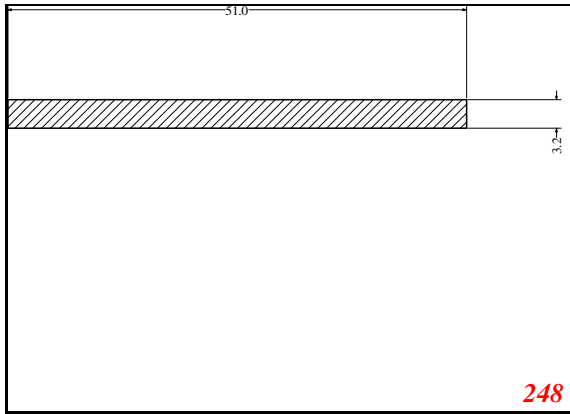
*Strip*



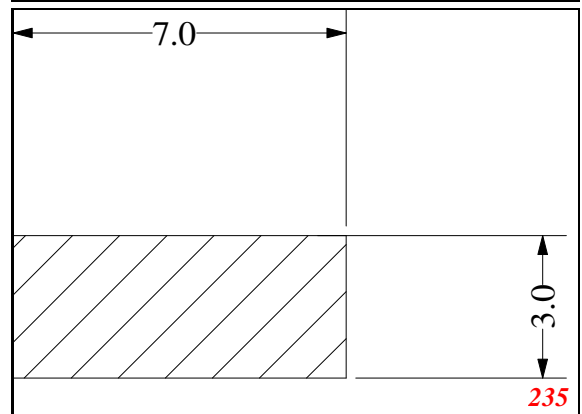
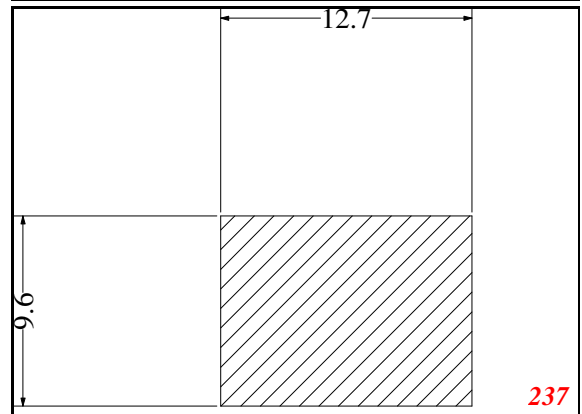
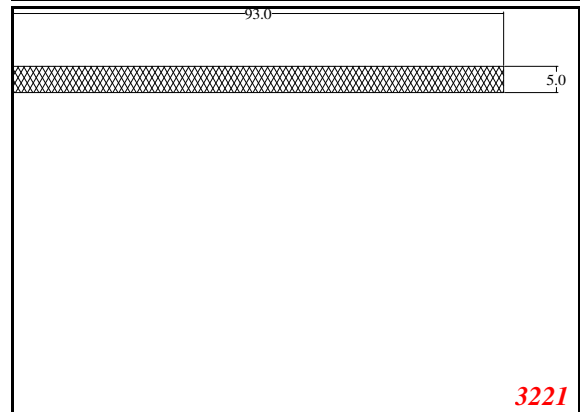
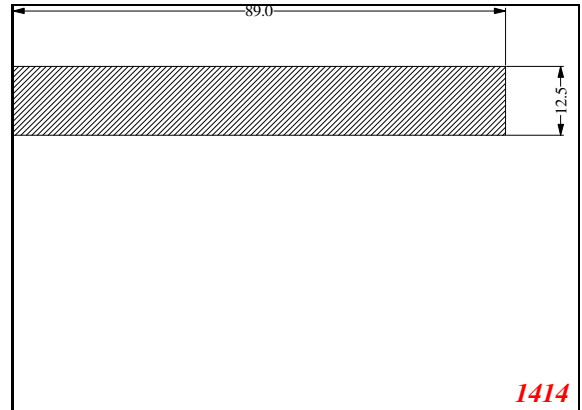
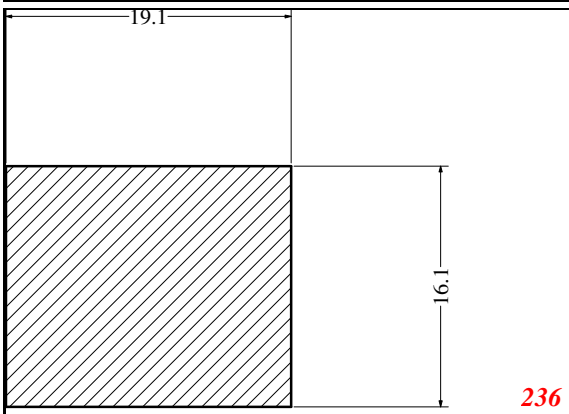
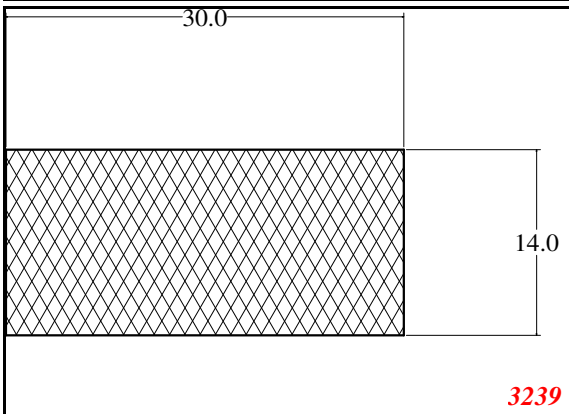
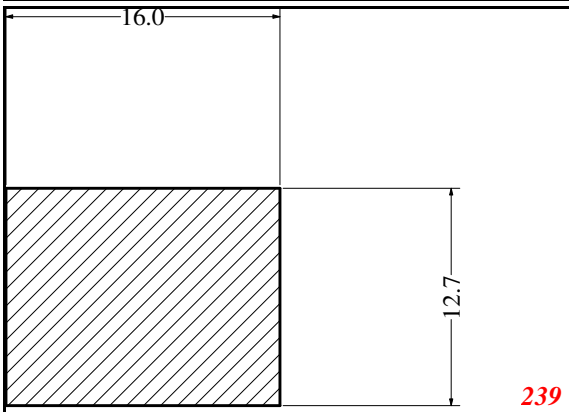
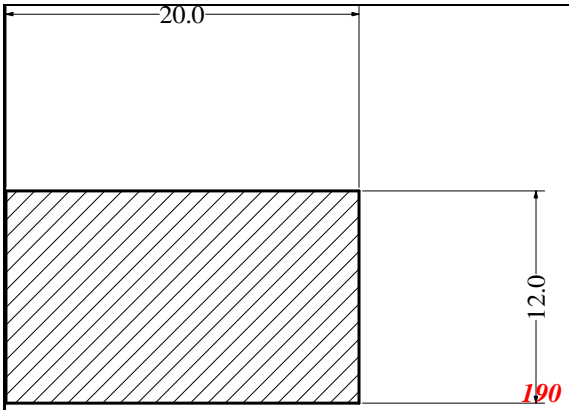
*Strip*



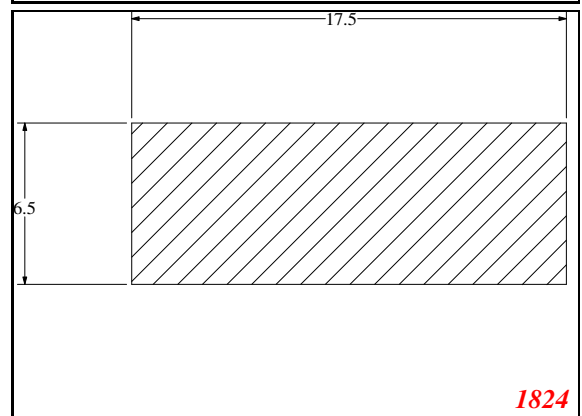
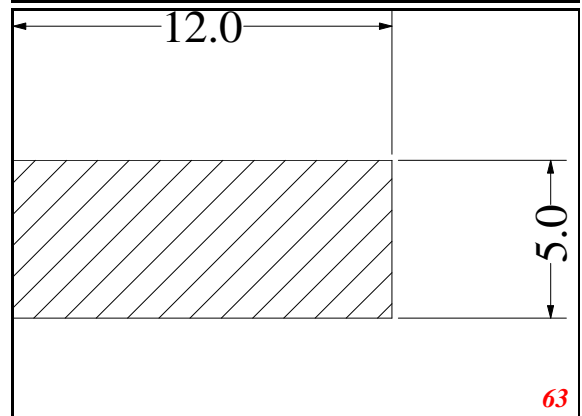
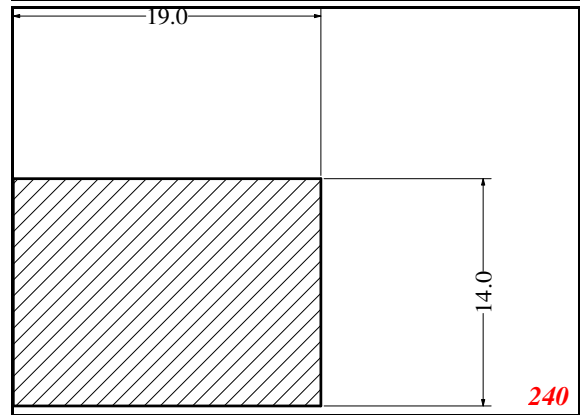
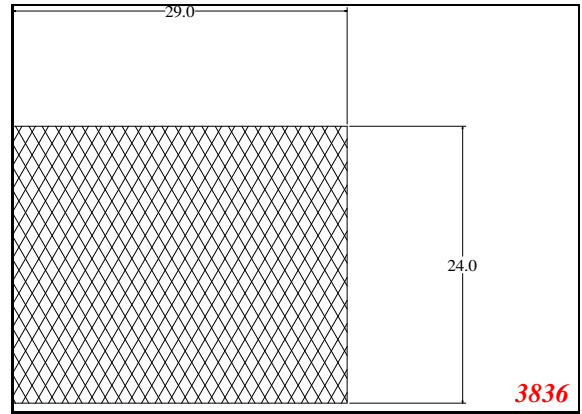
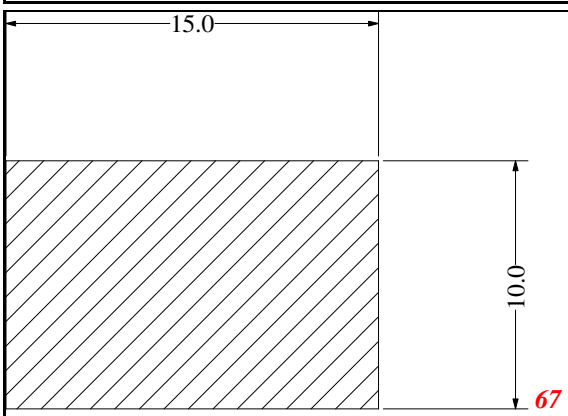
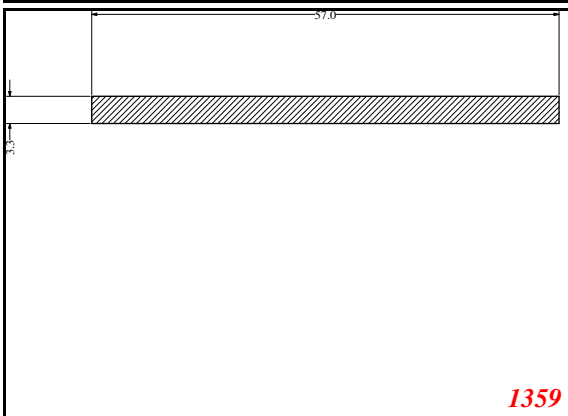
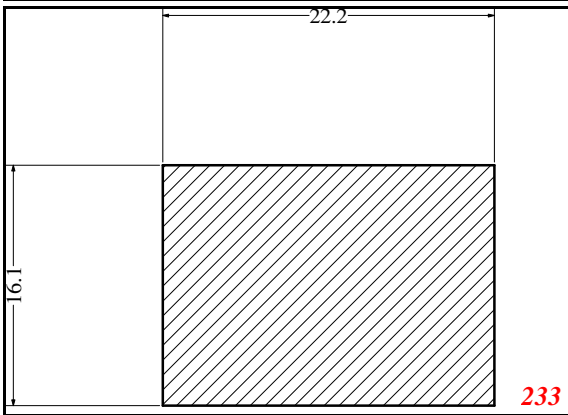
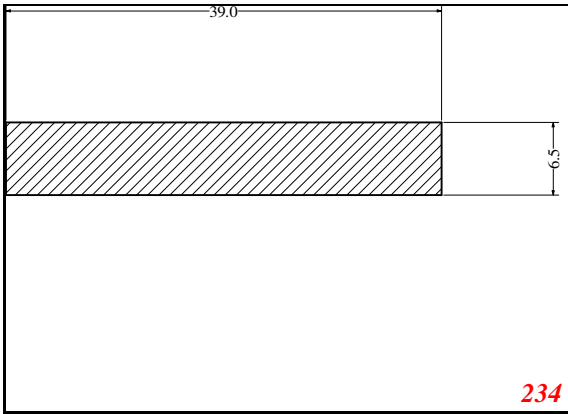
*Strip*



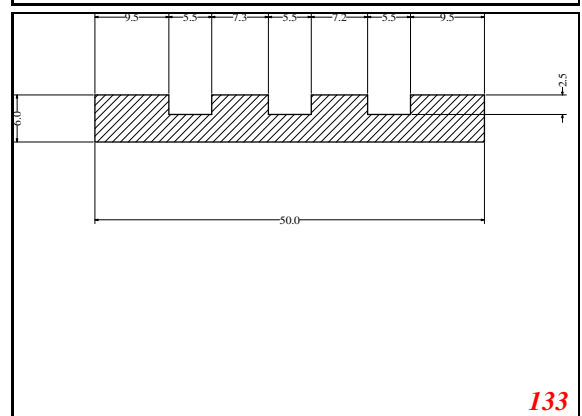
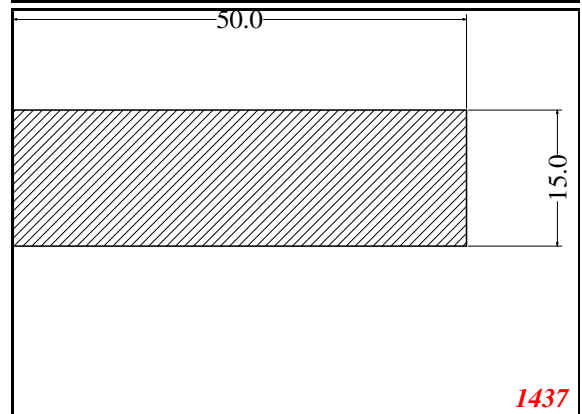
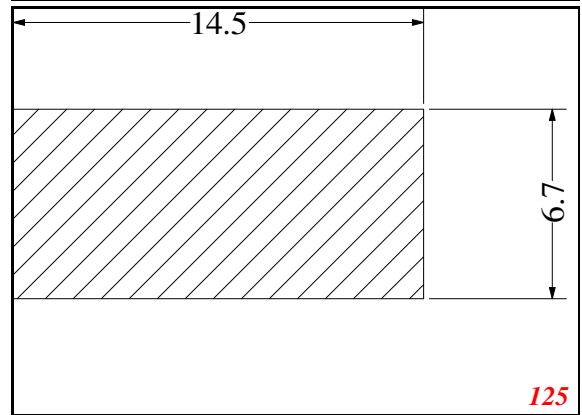
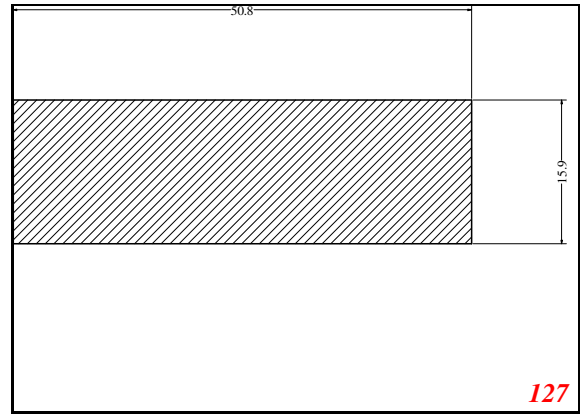
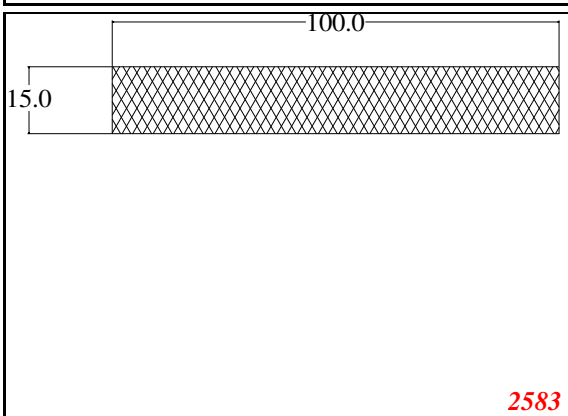
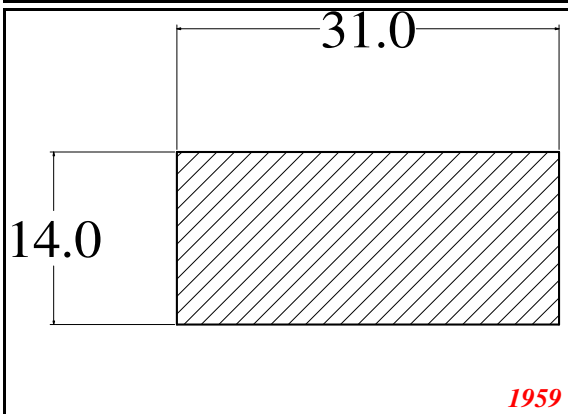
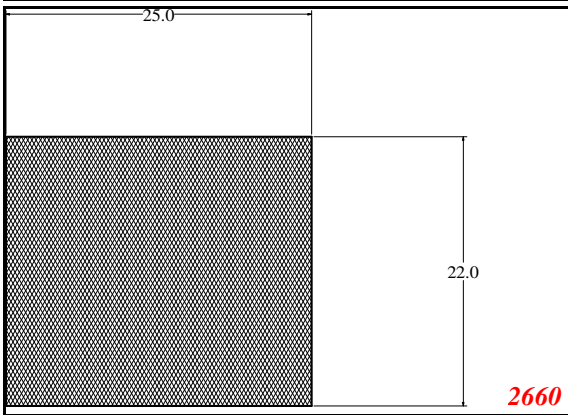
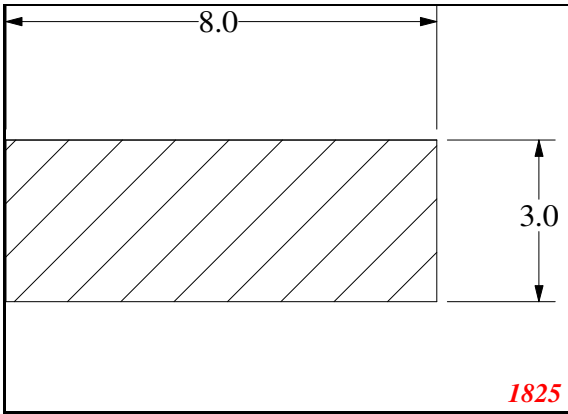
*Strip*



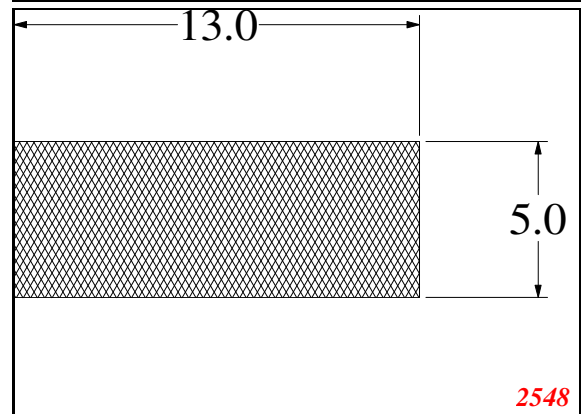
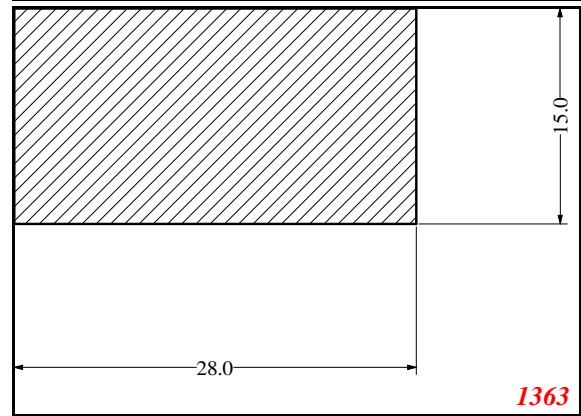
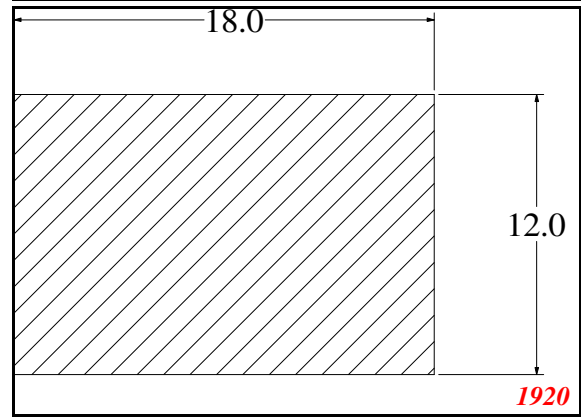
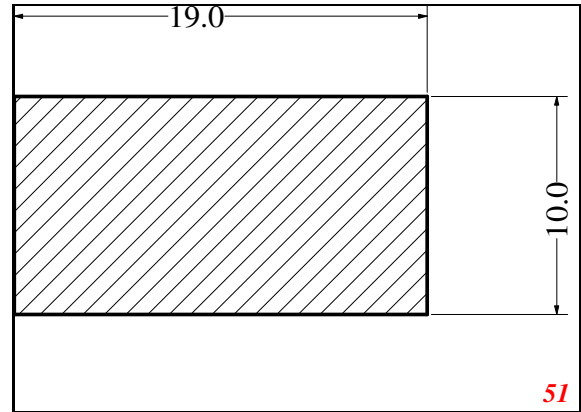
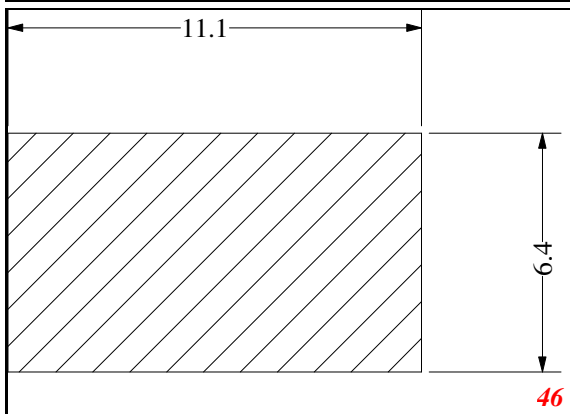
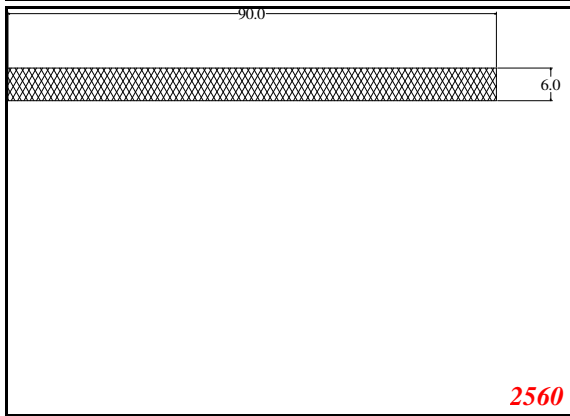
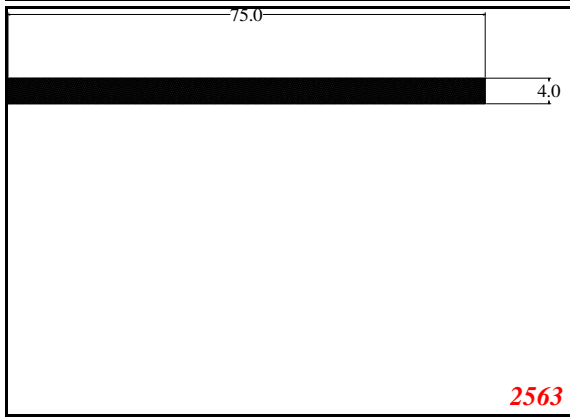
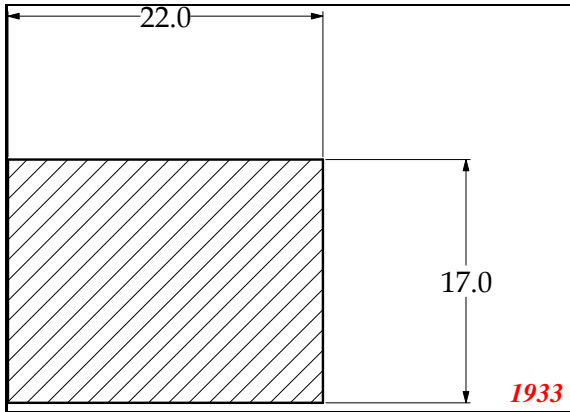
*Strip*



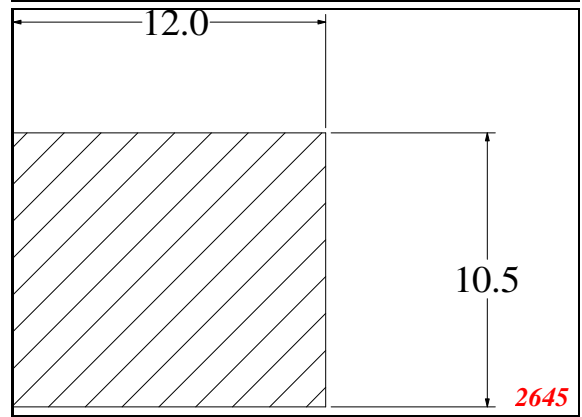
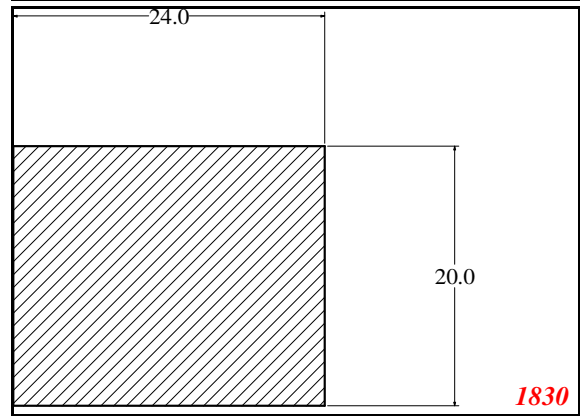
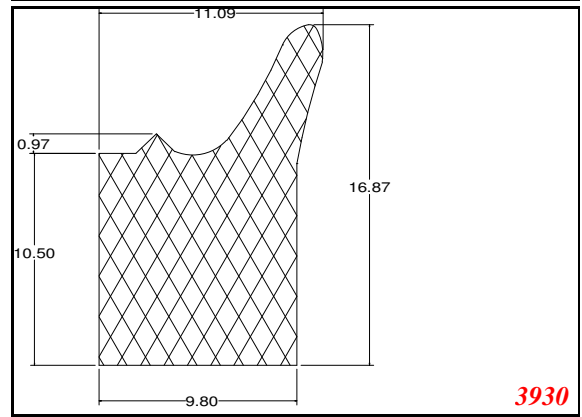
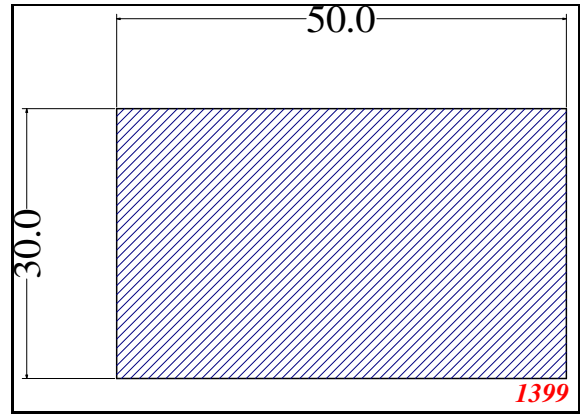
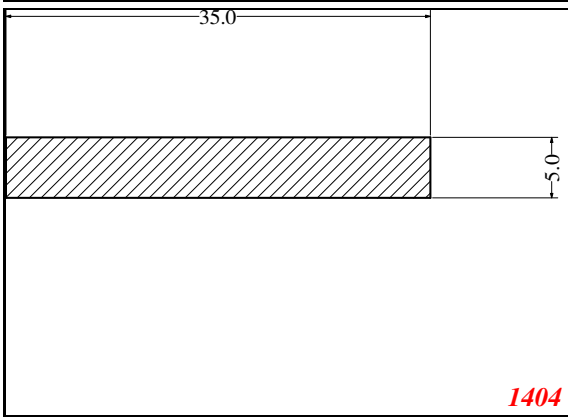
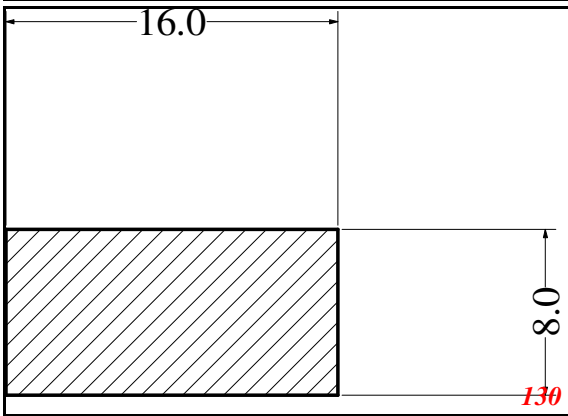
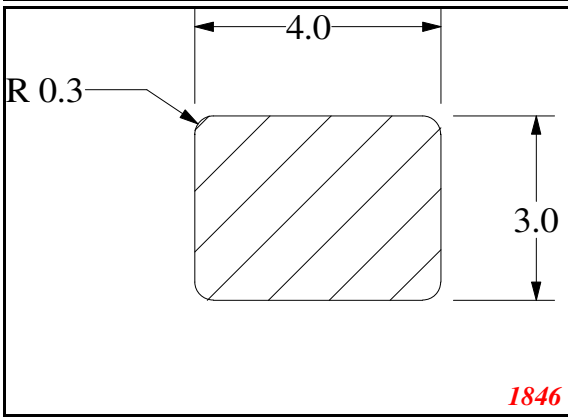
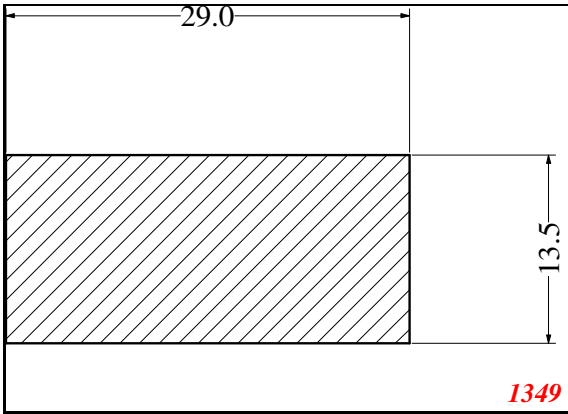
Strip



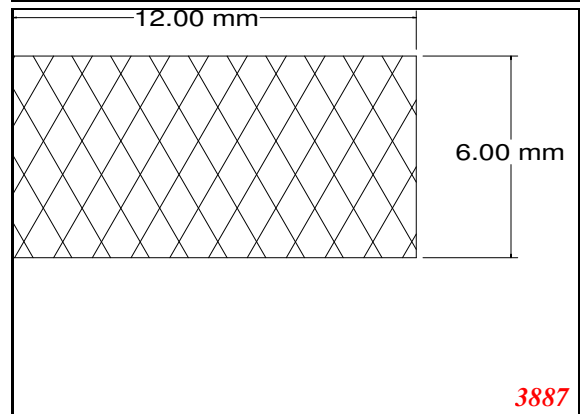
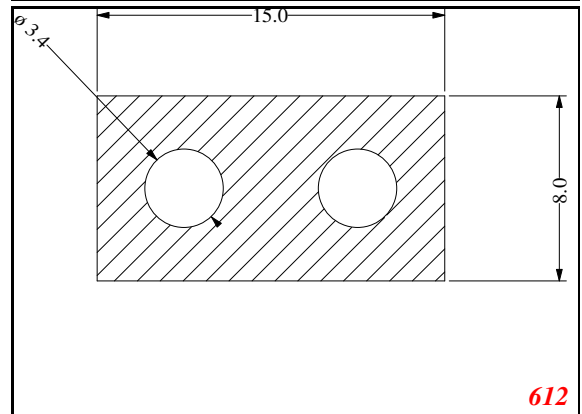
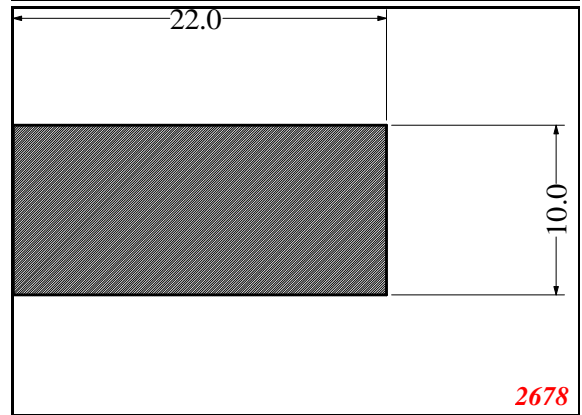
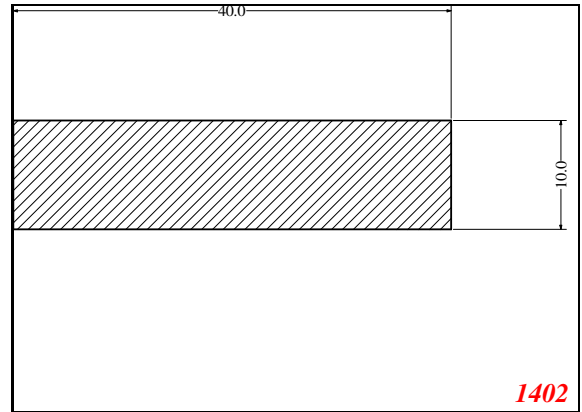
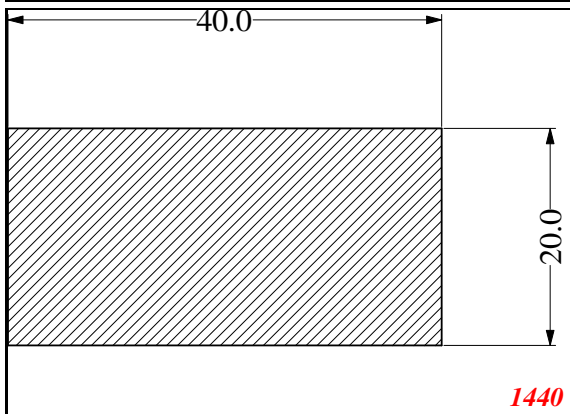
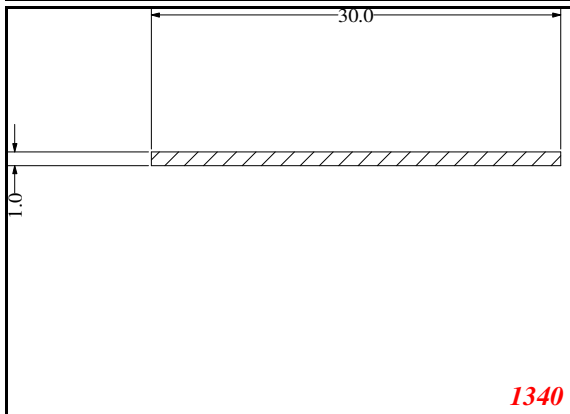
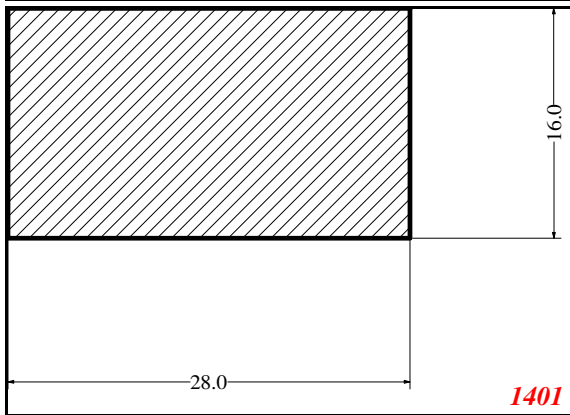
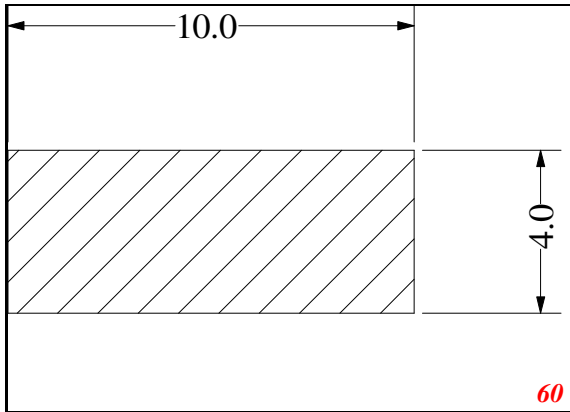
*Strip*



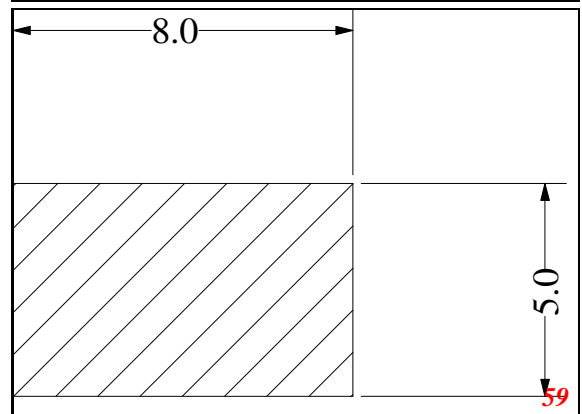
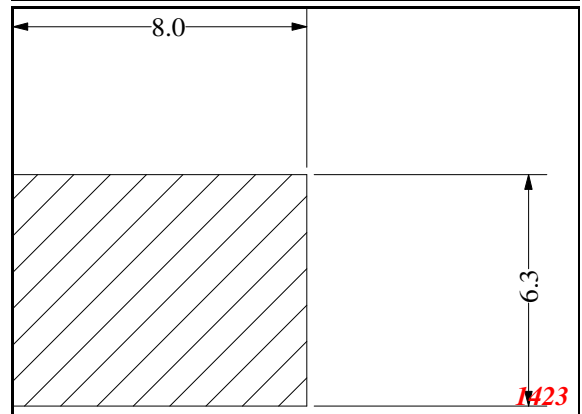
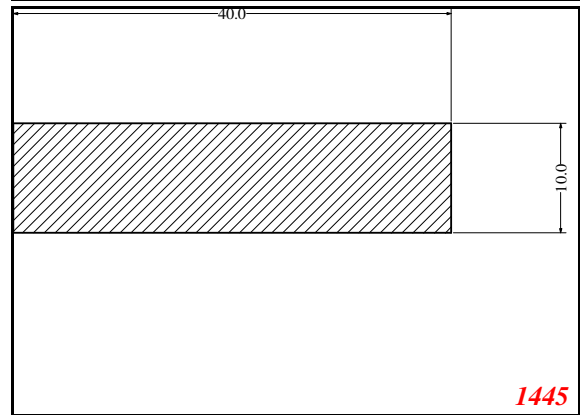
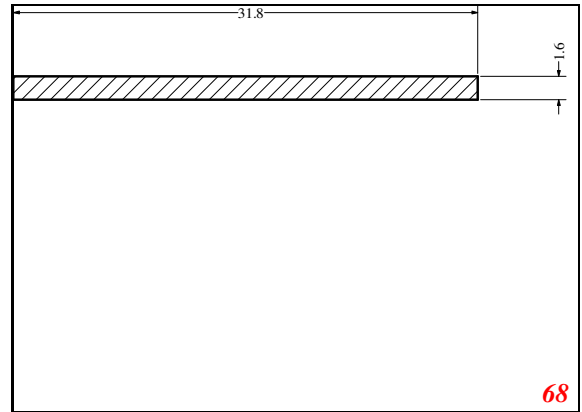
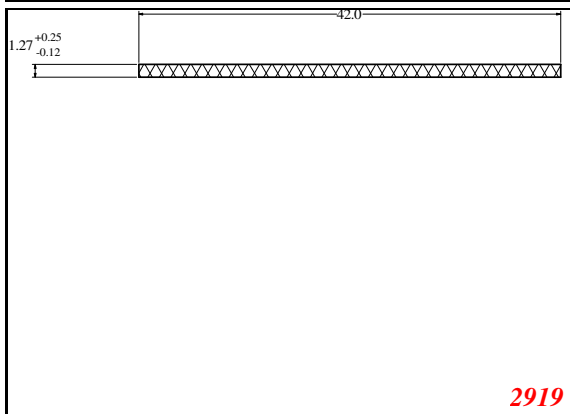
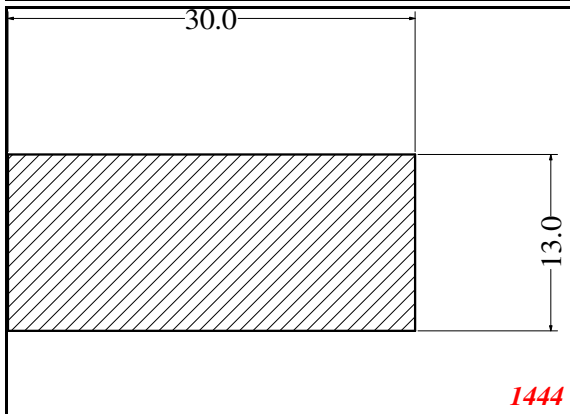
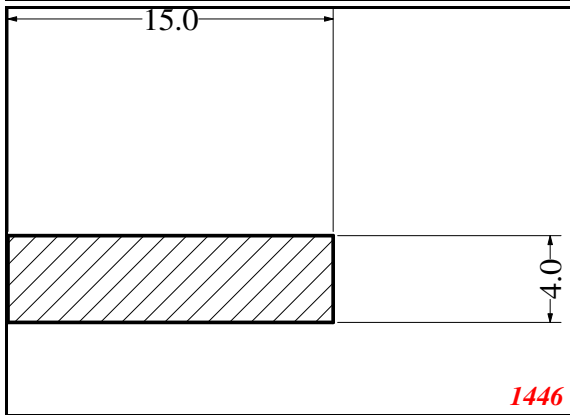
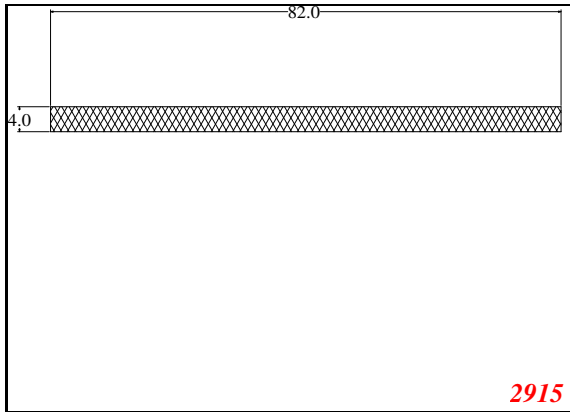
Strip



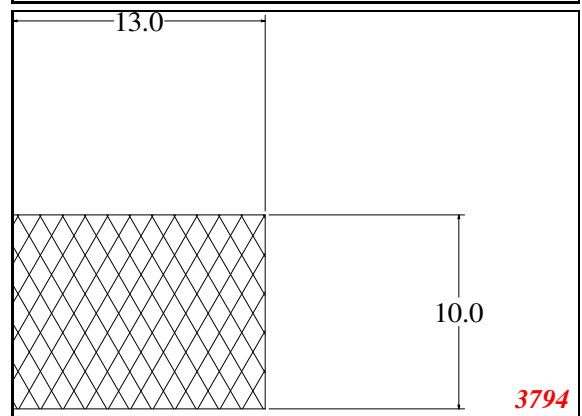
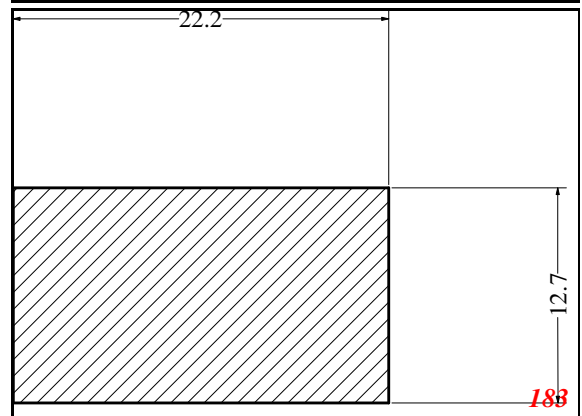
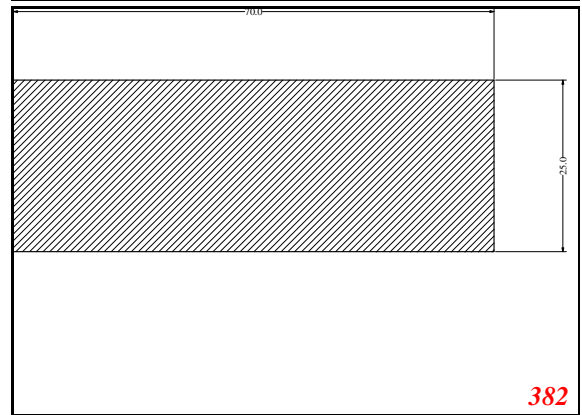
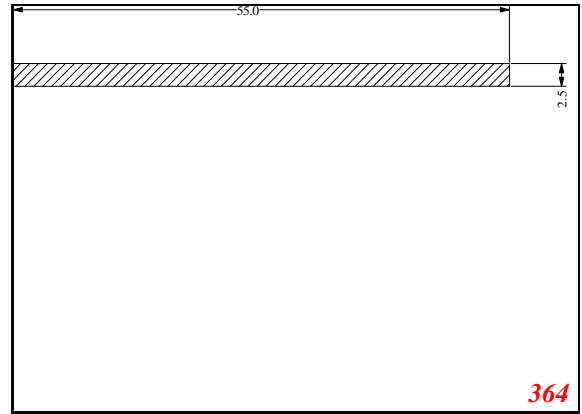
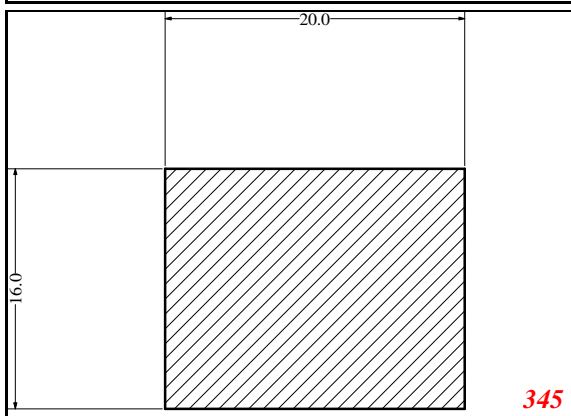
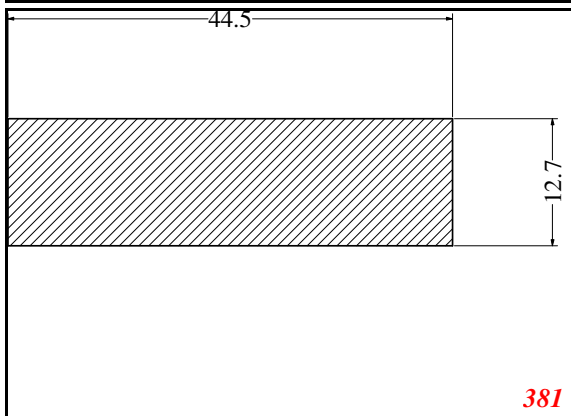
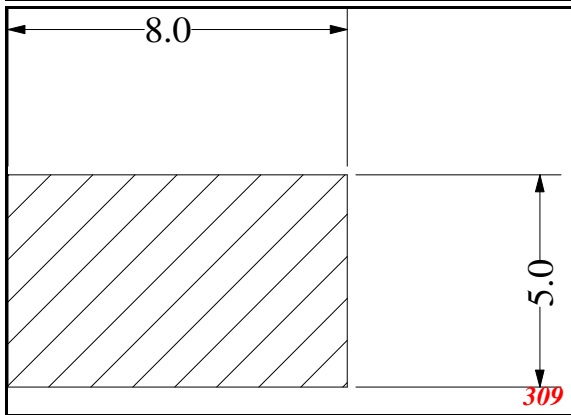
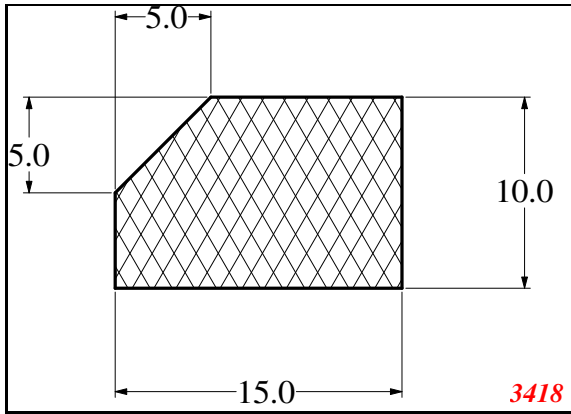
Strip



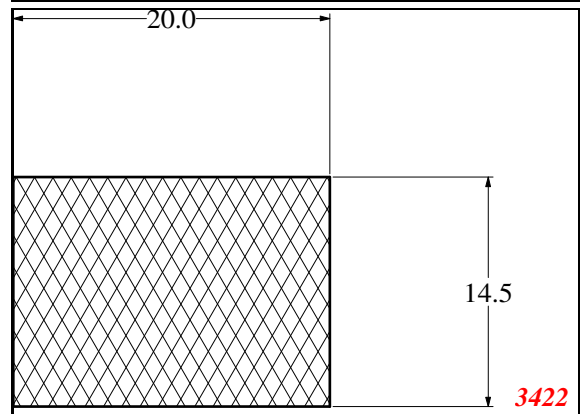
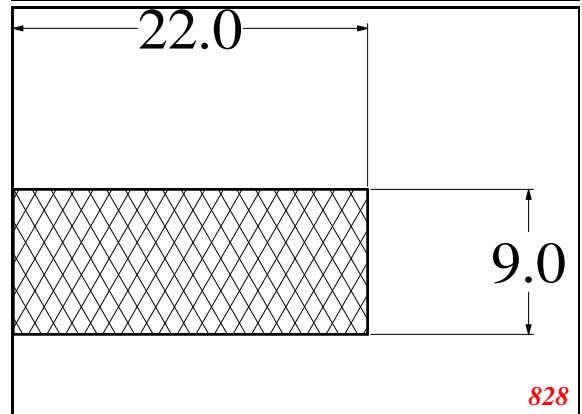
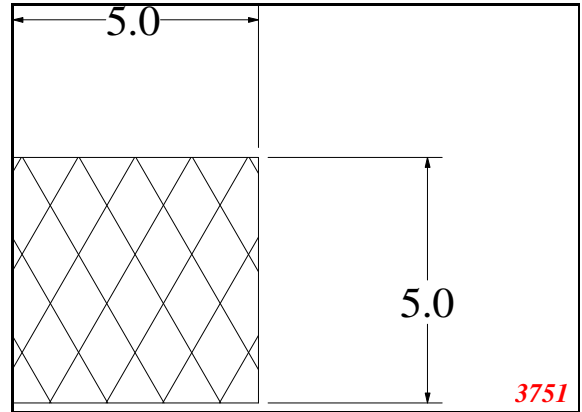
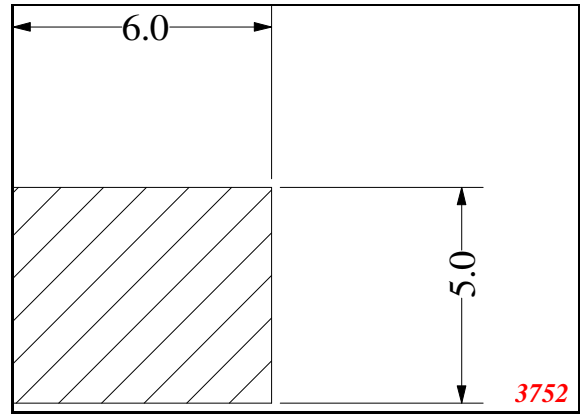
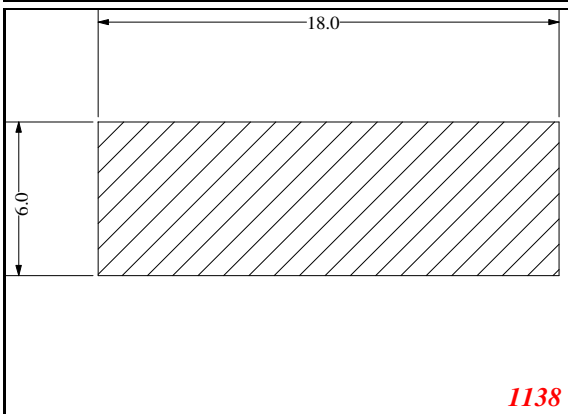
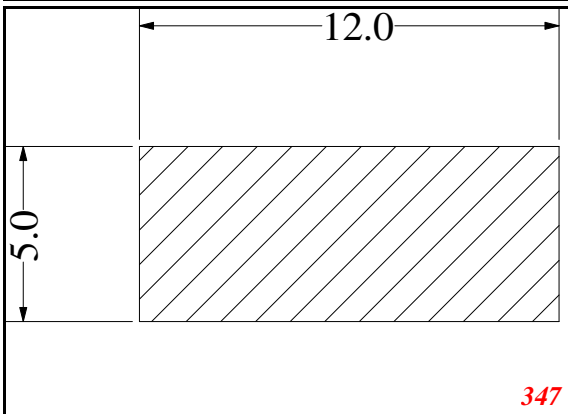
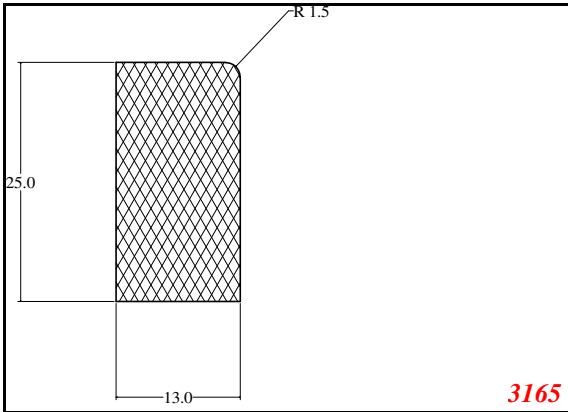
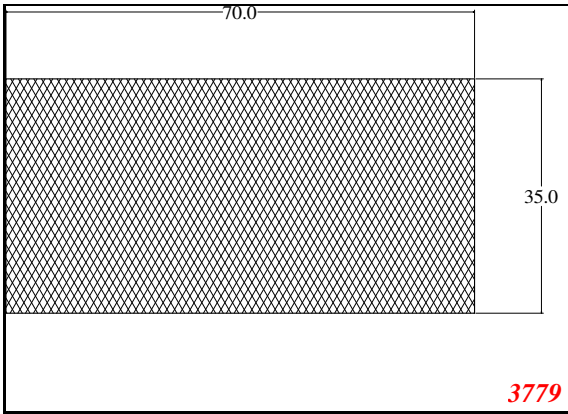
Strip



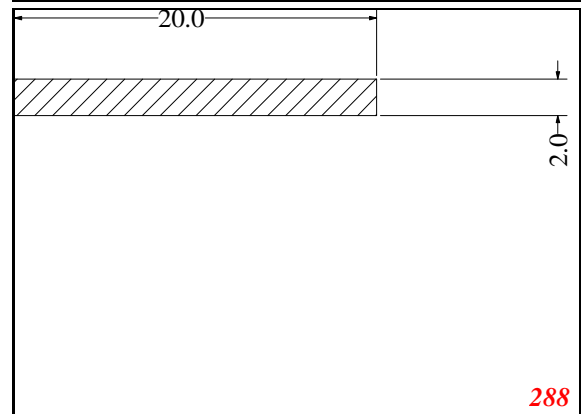
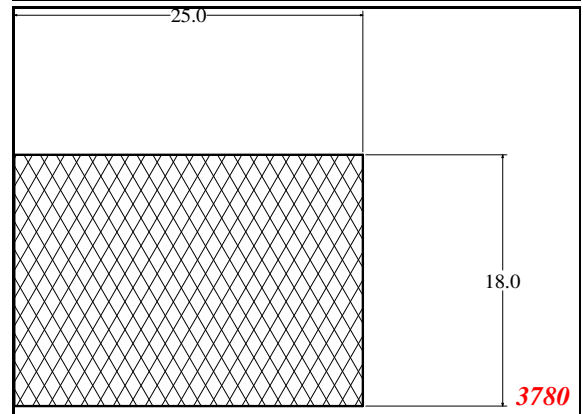
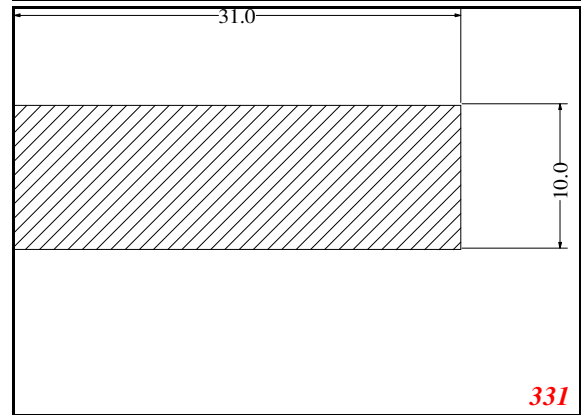
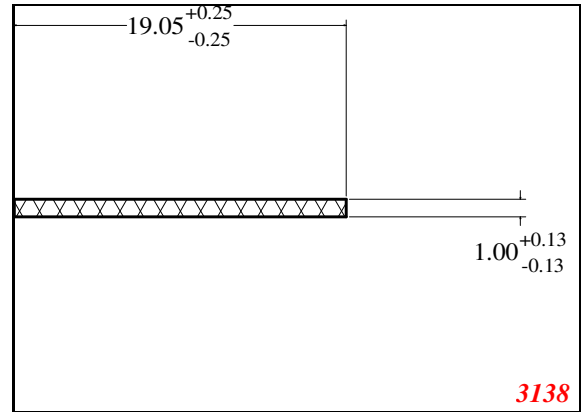
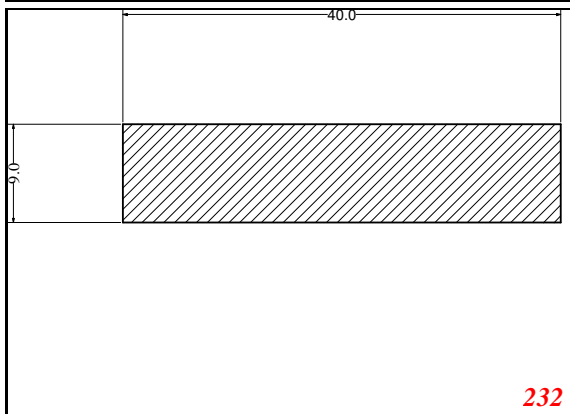
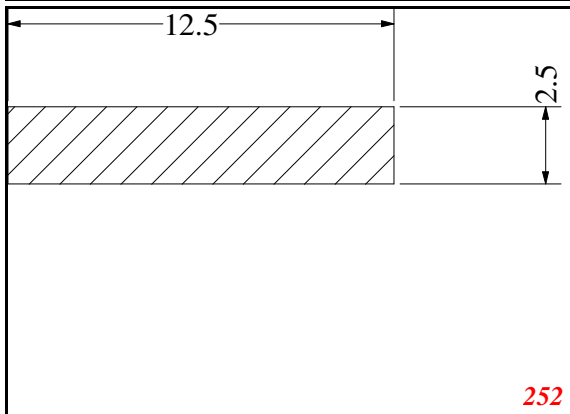
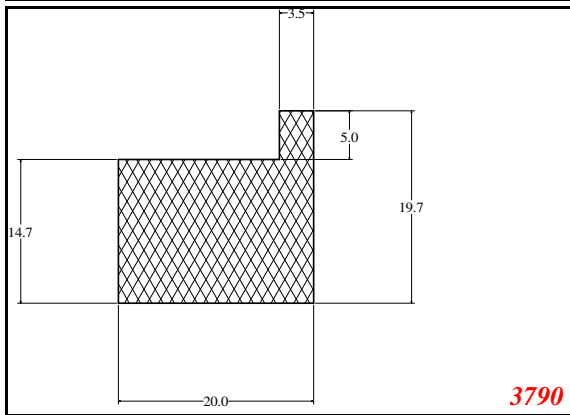
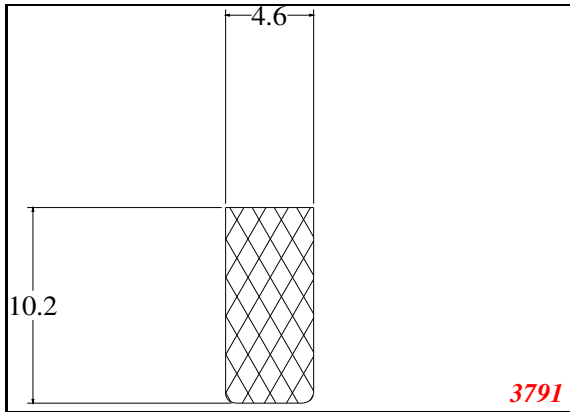
*Strip*



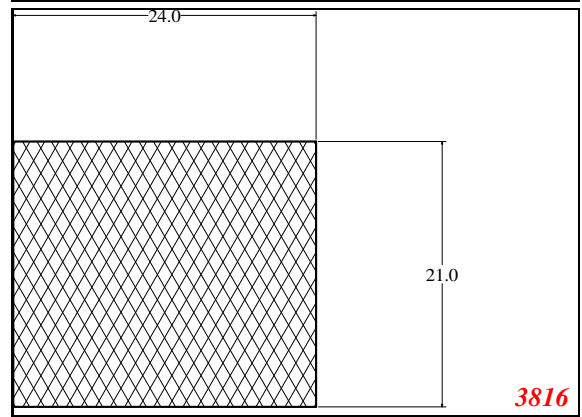
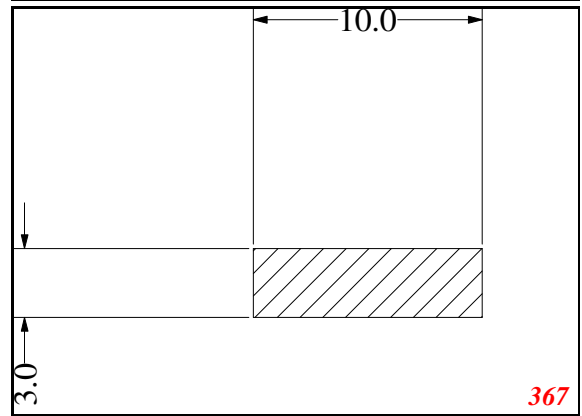
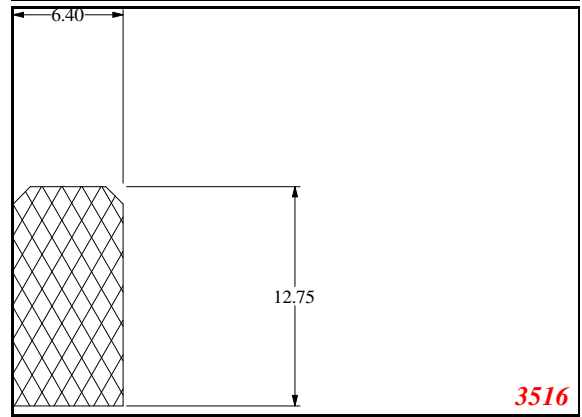
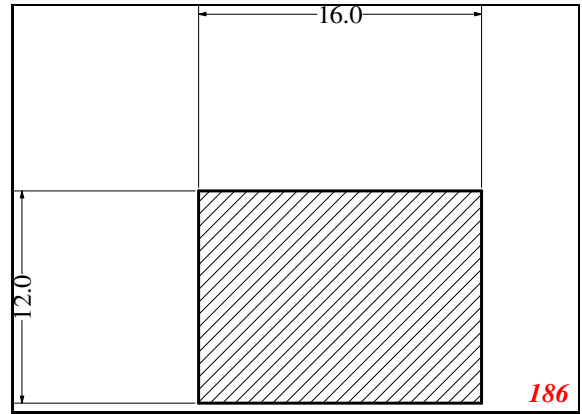
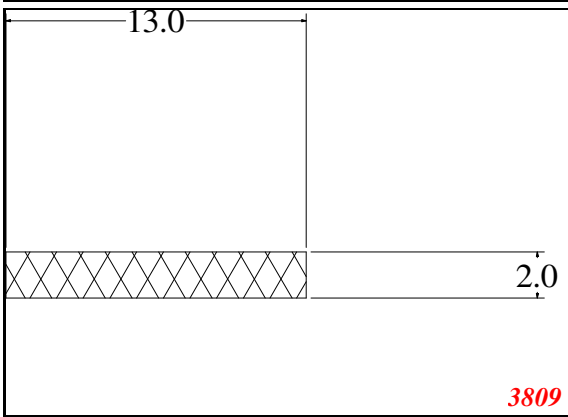
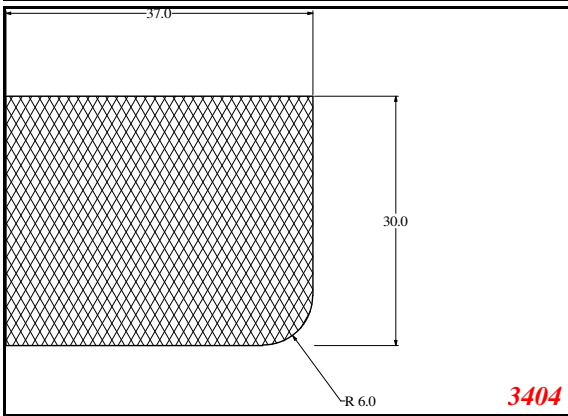
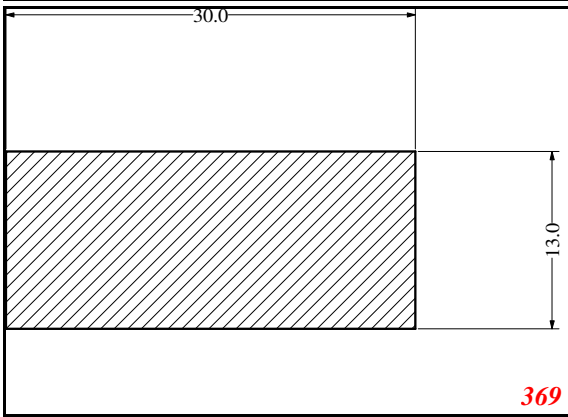
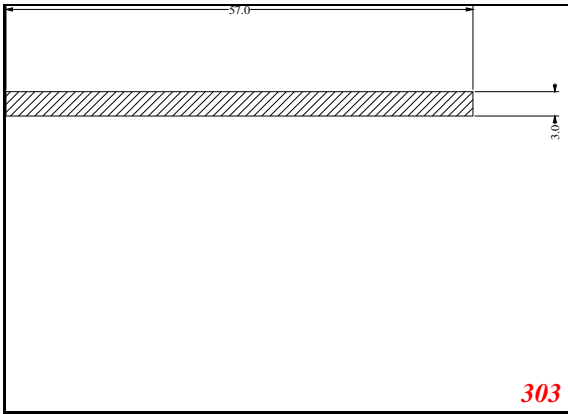
*Strip*



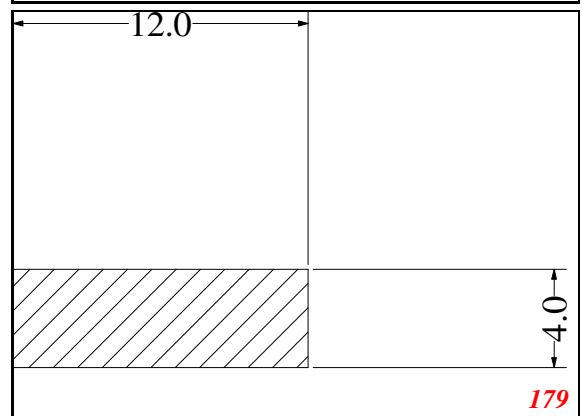
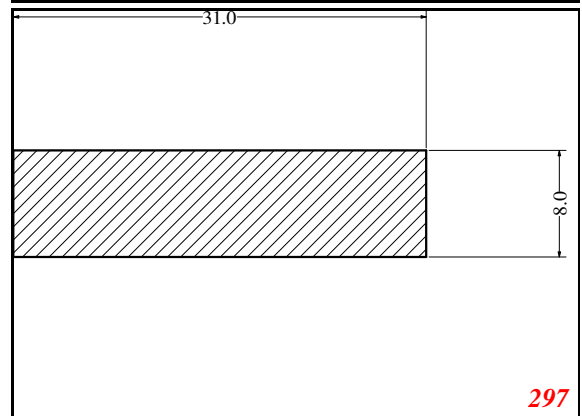
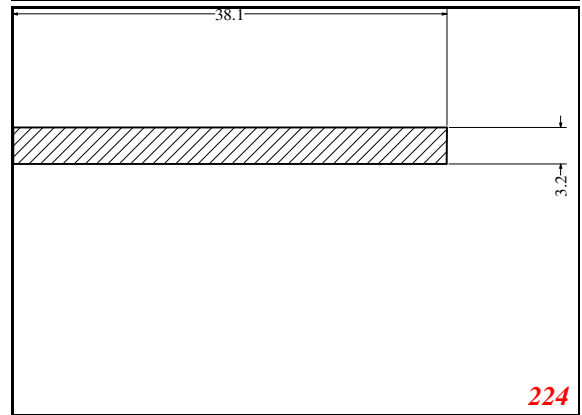
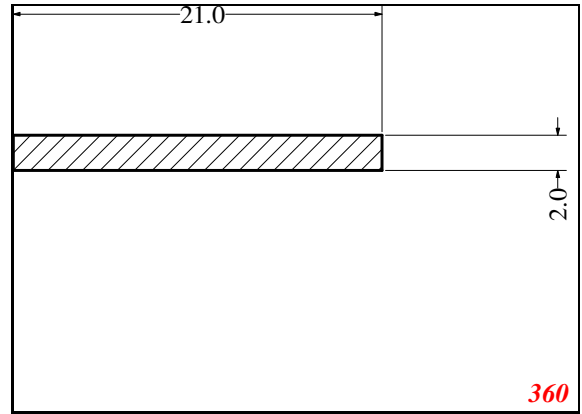
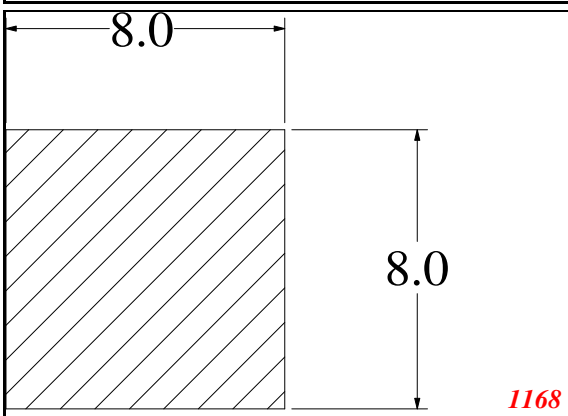
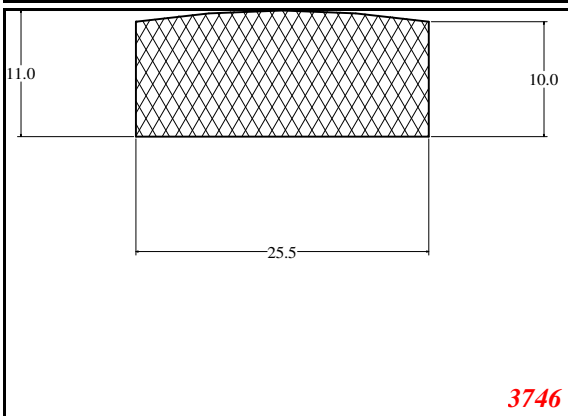
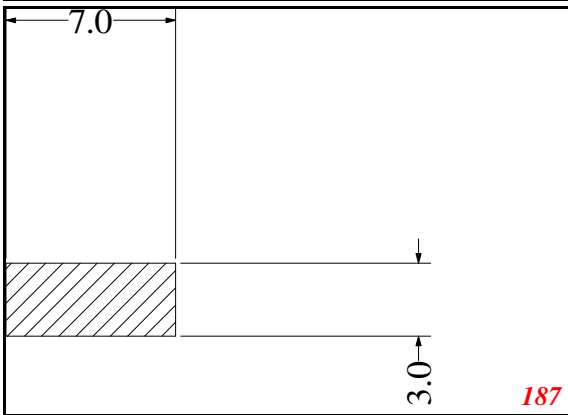
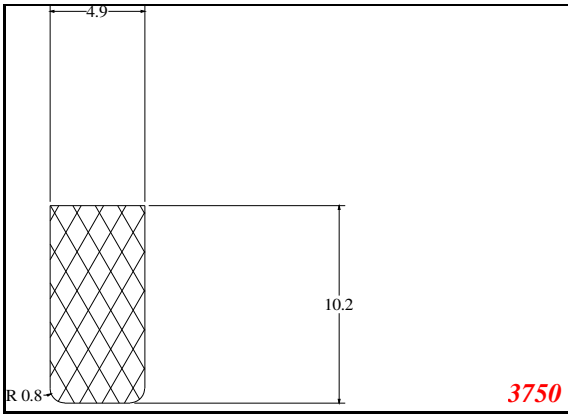
Strip



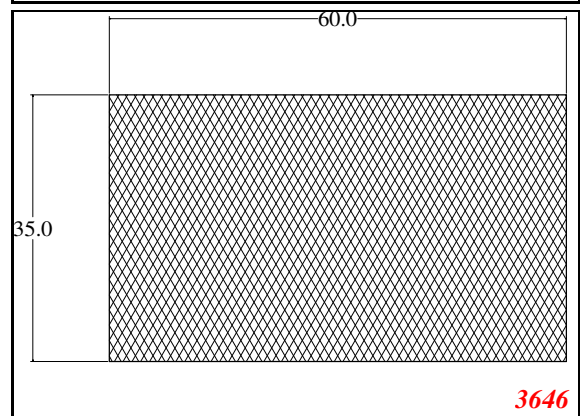
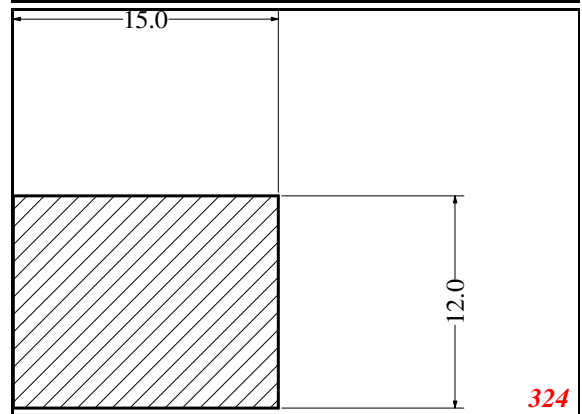
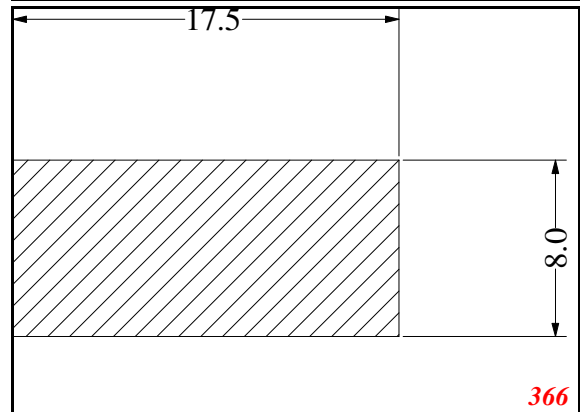
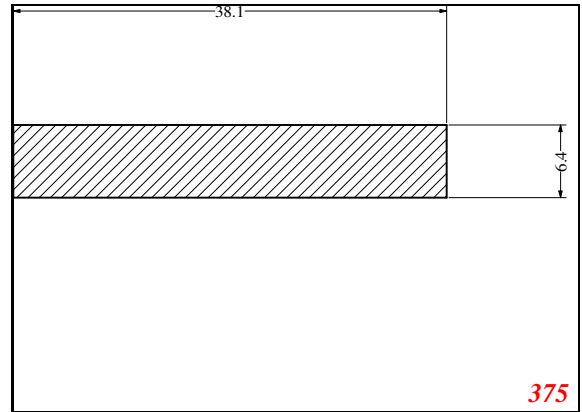
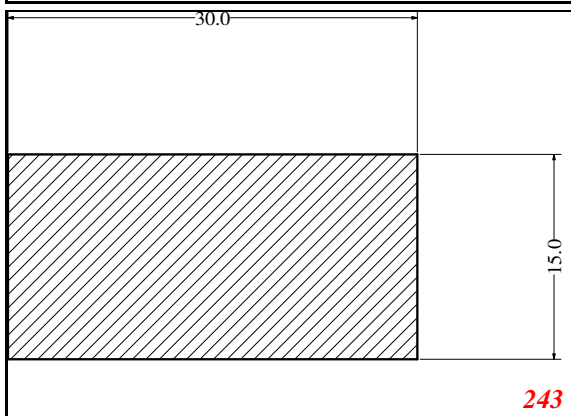
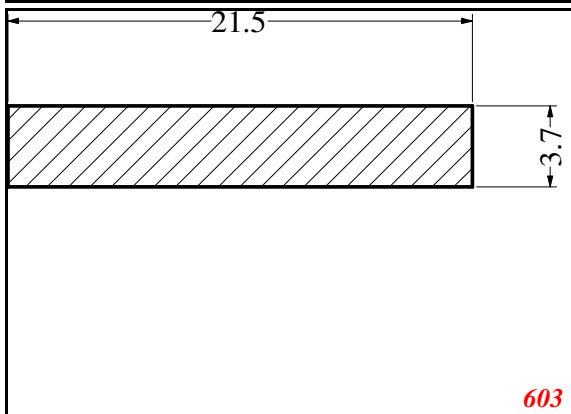
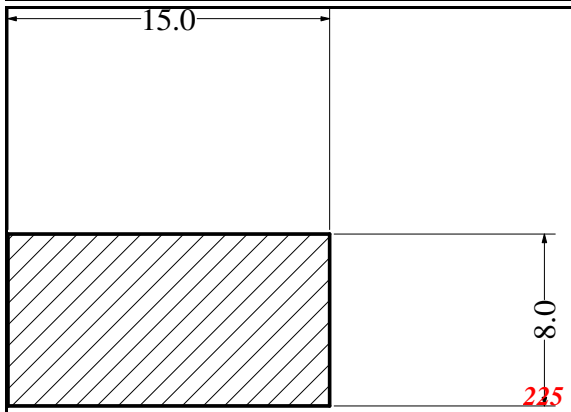
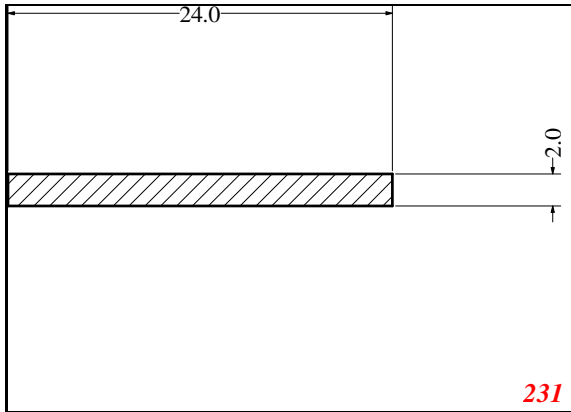
*Strip*



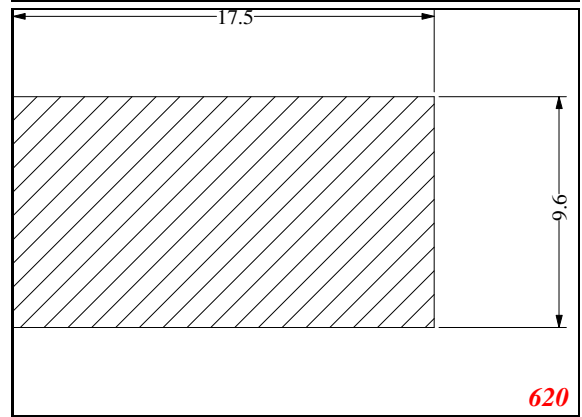
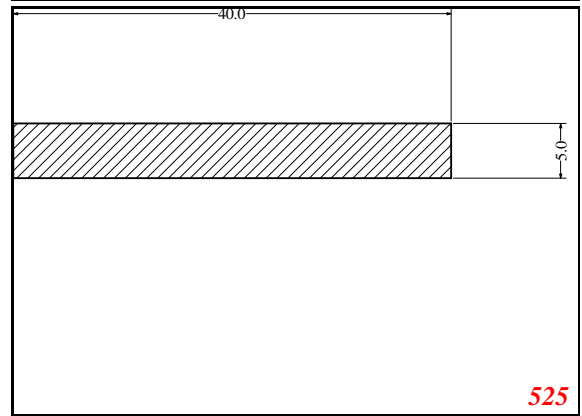
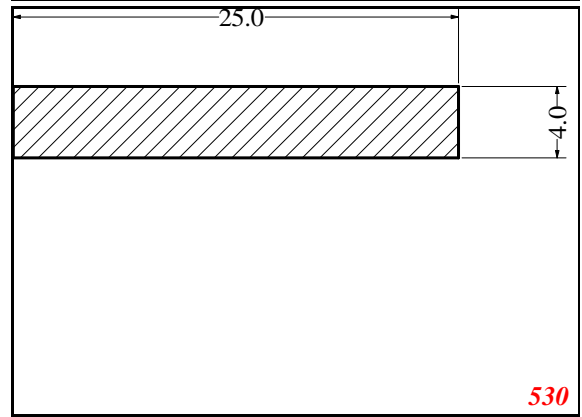
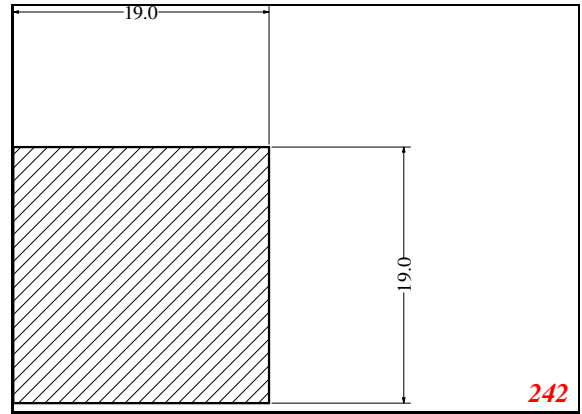
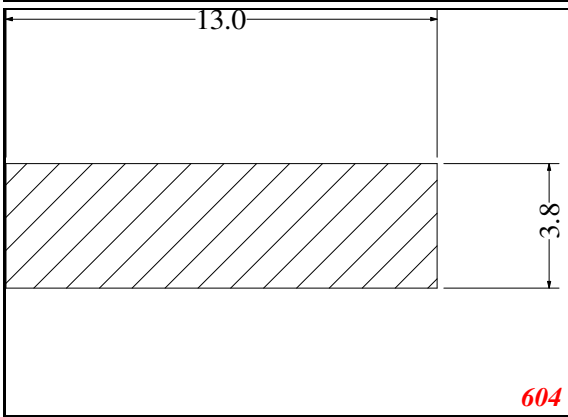
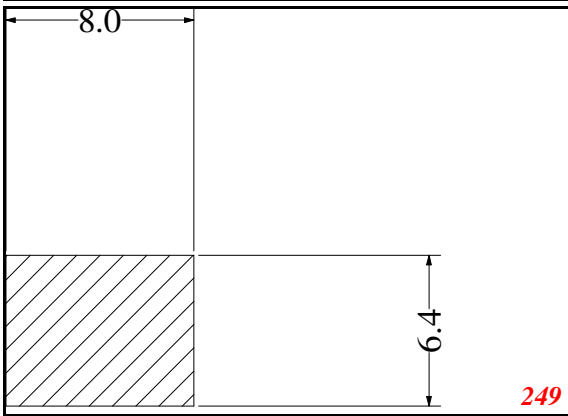
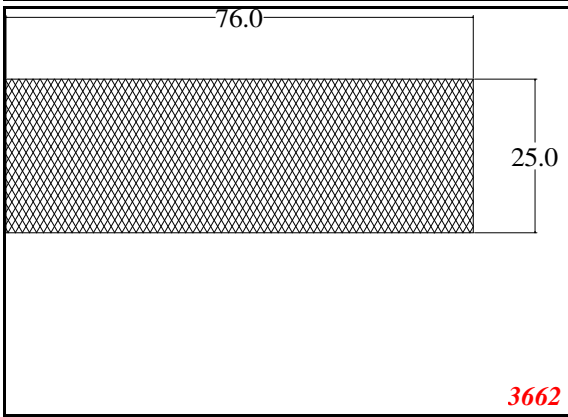
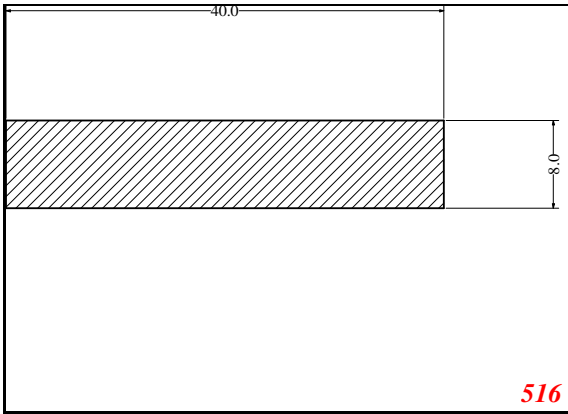
*Strip*



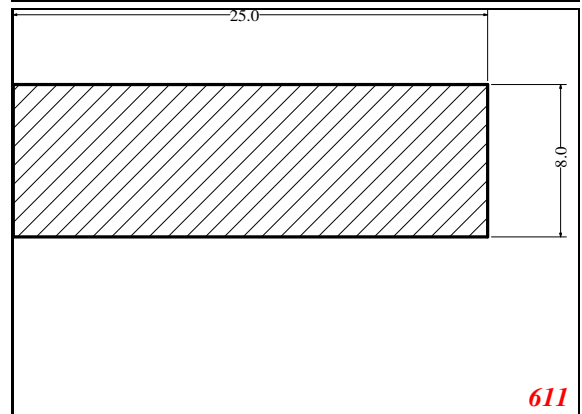
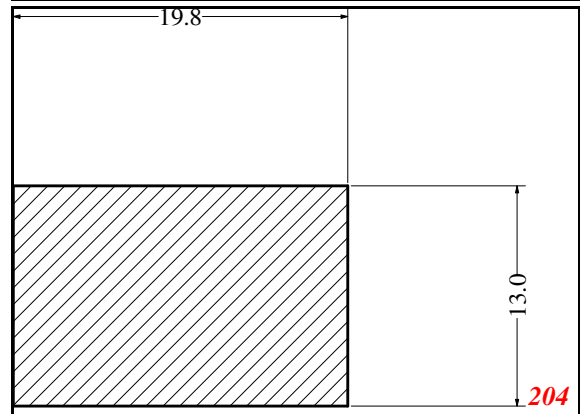
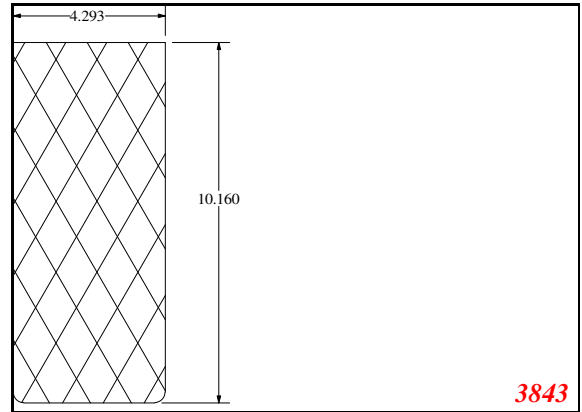
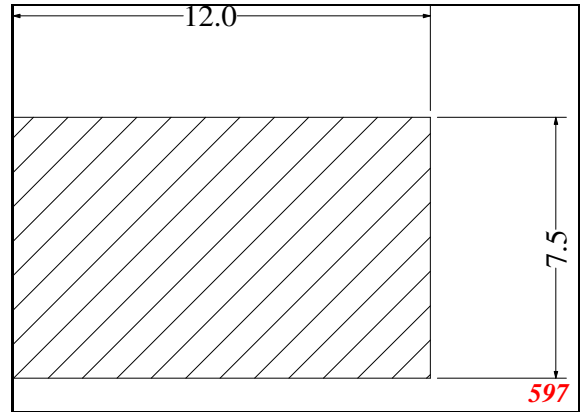
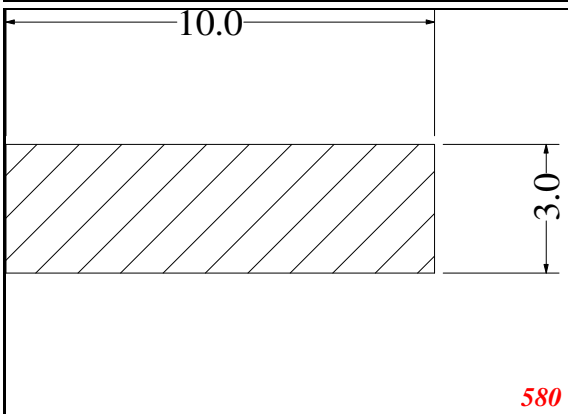
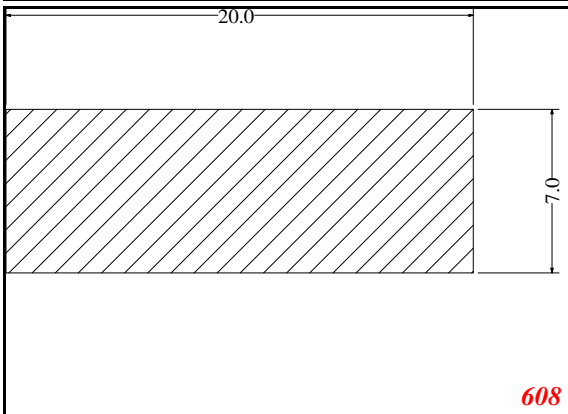
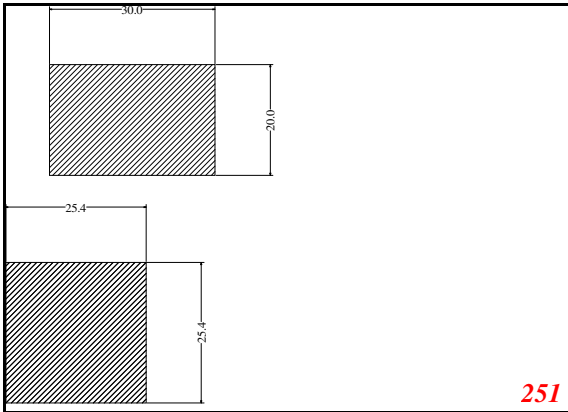
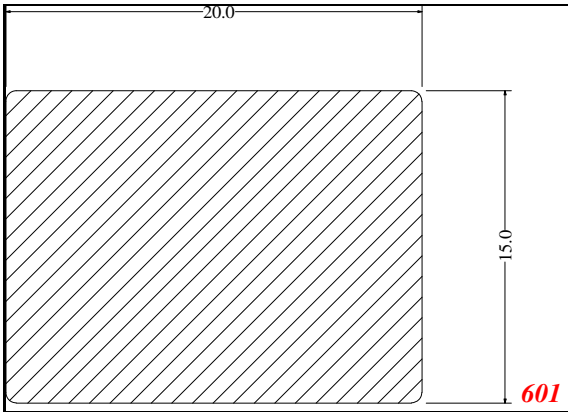
*Strip*



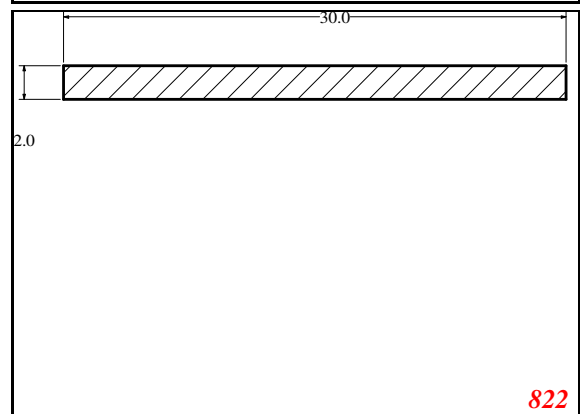
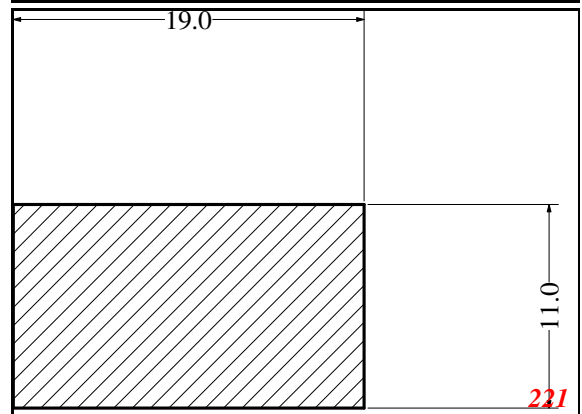
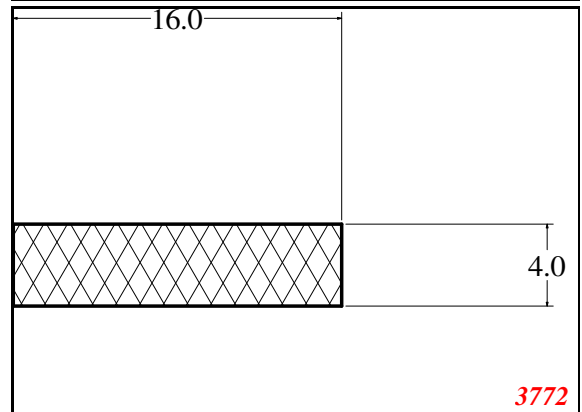
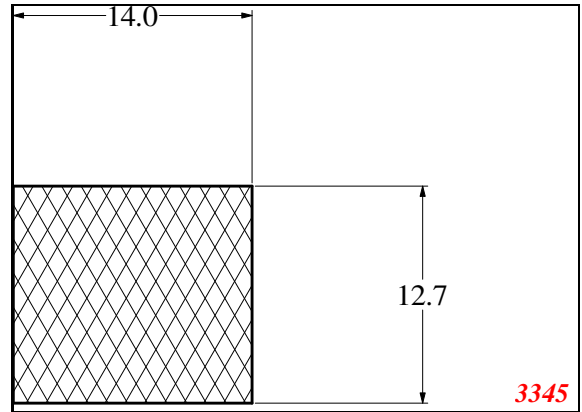
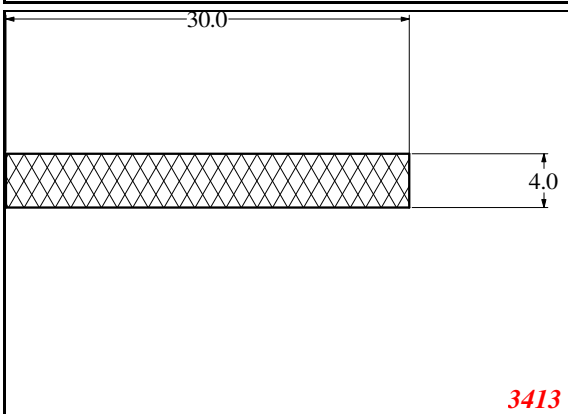
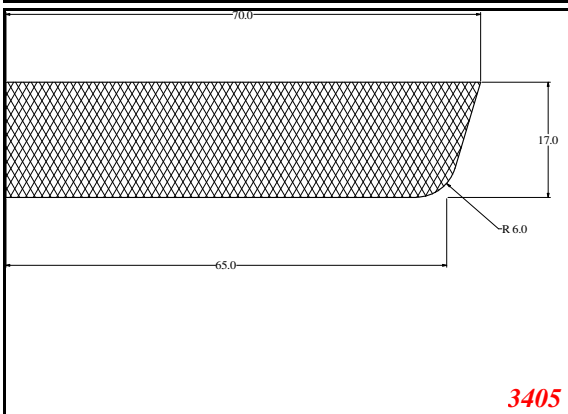
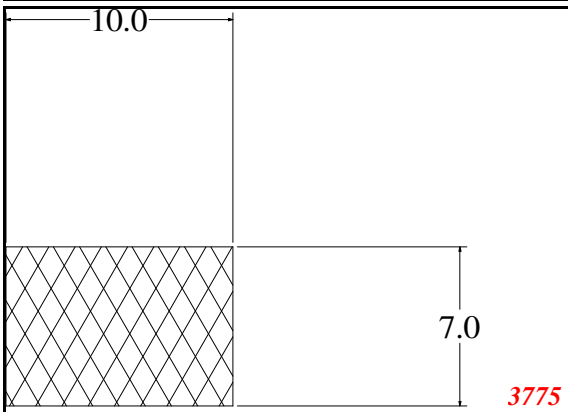
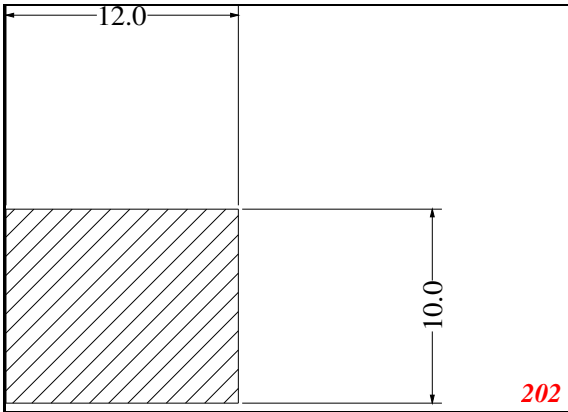
*Strip*



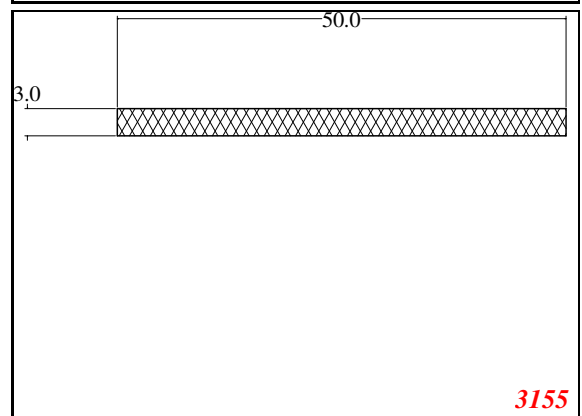
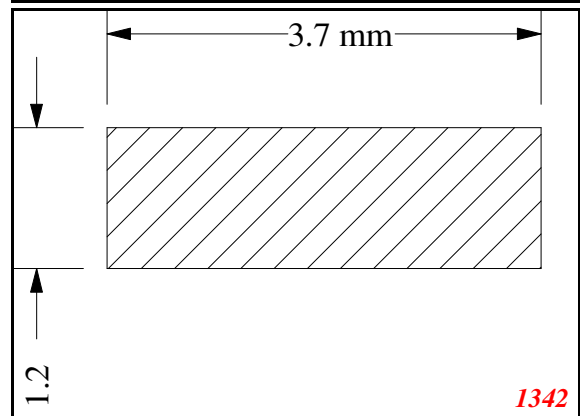
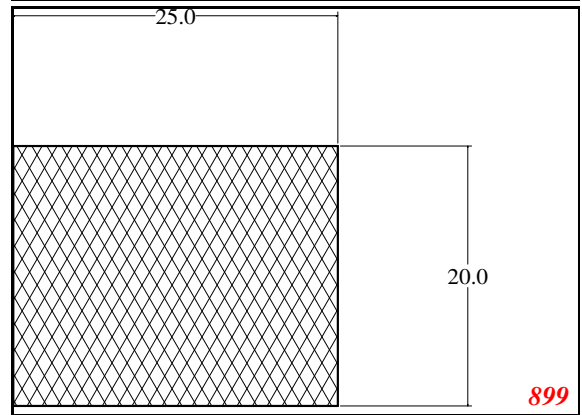
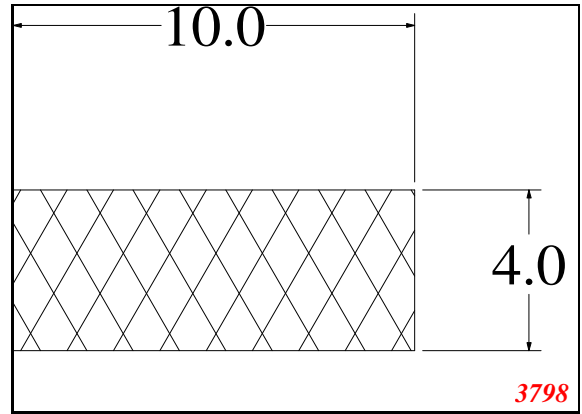
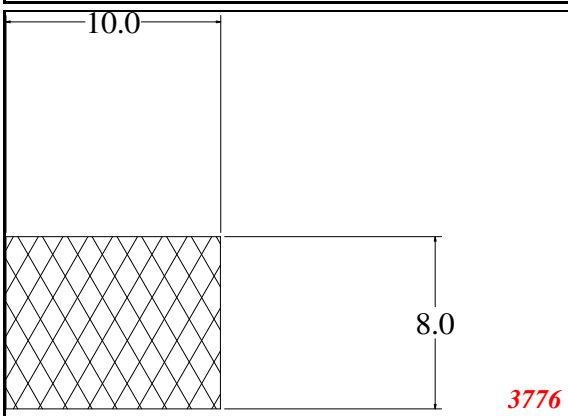
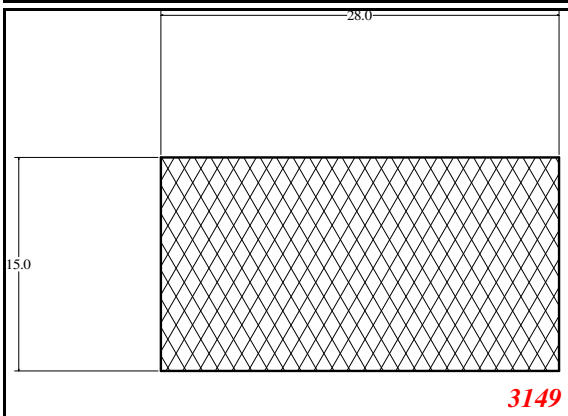
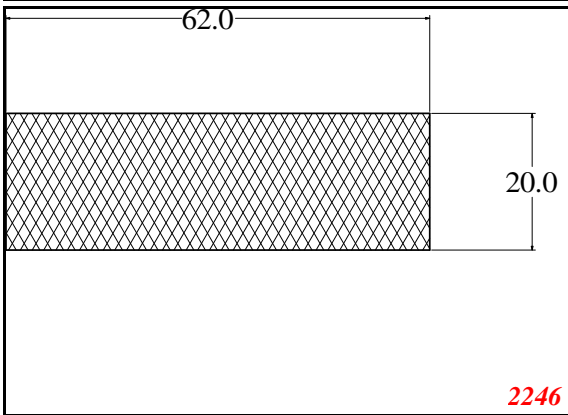
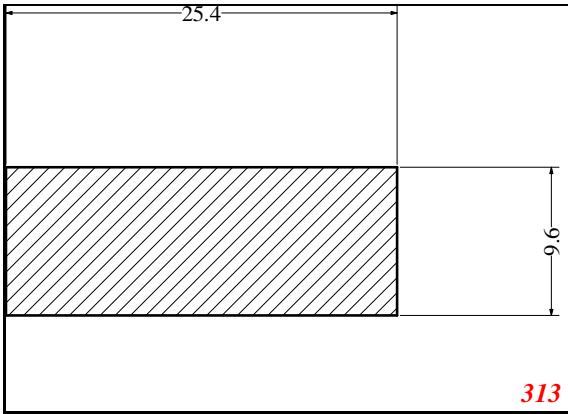
*Strip*



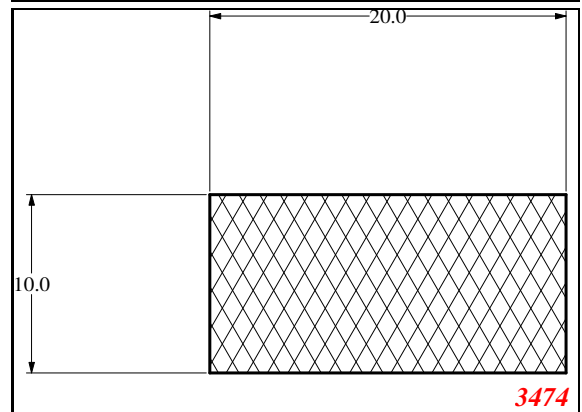
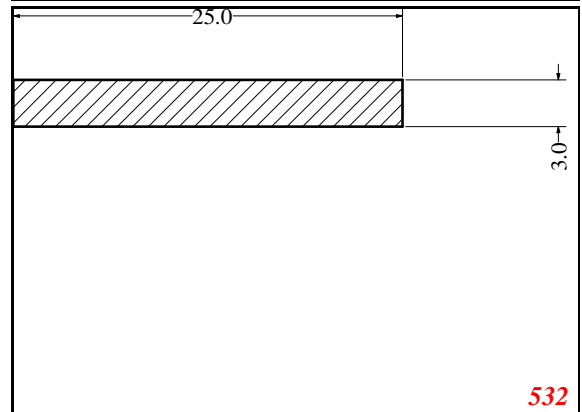
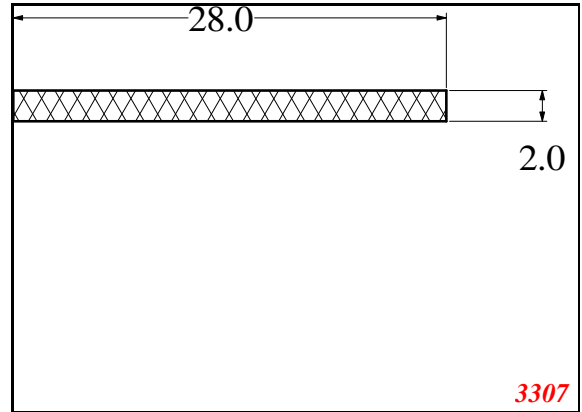
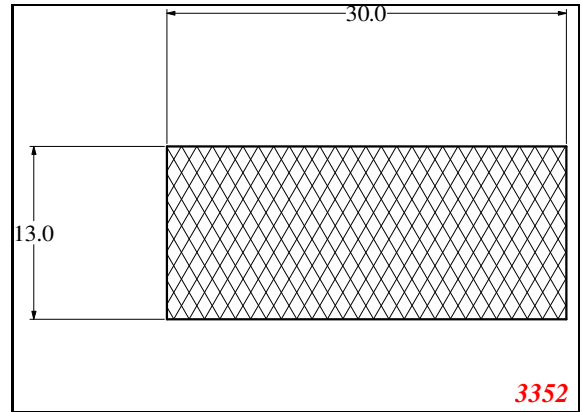
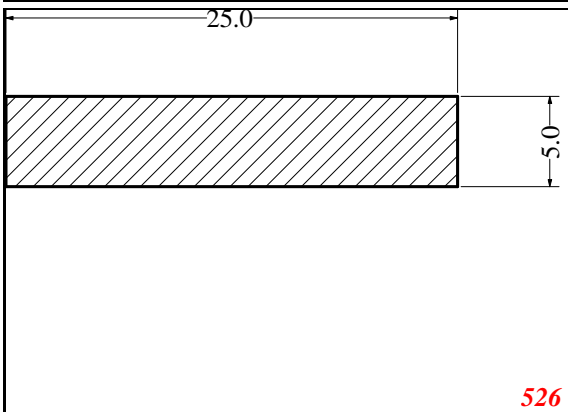
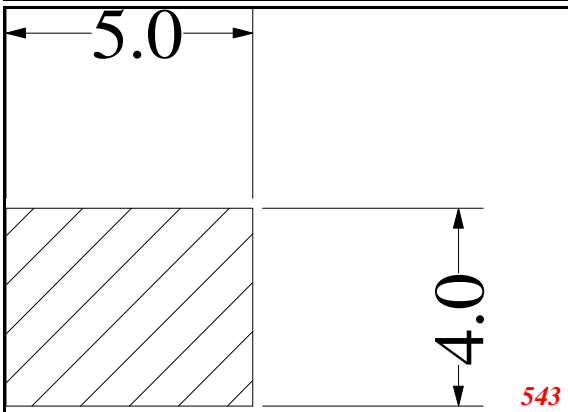
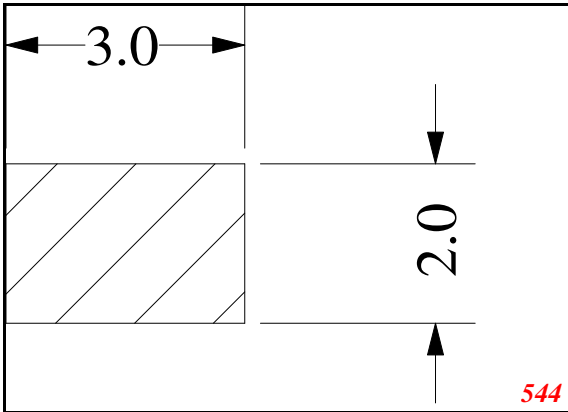
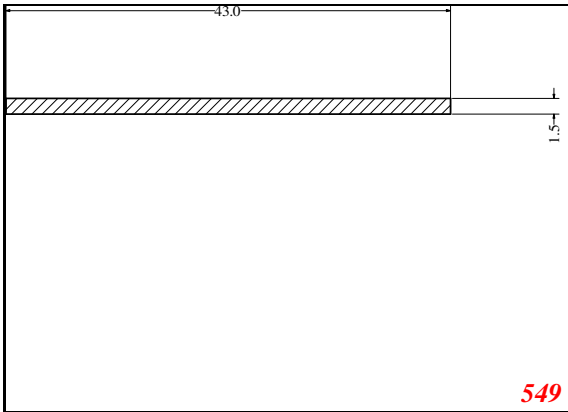
*Strip*



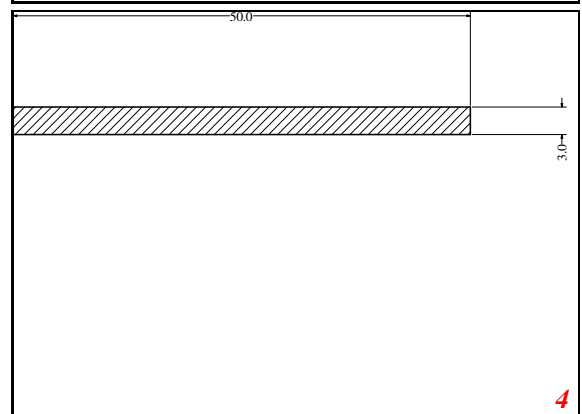
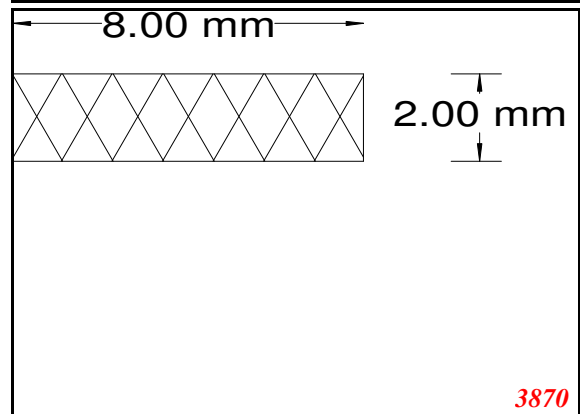
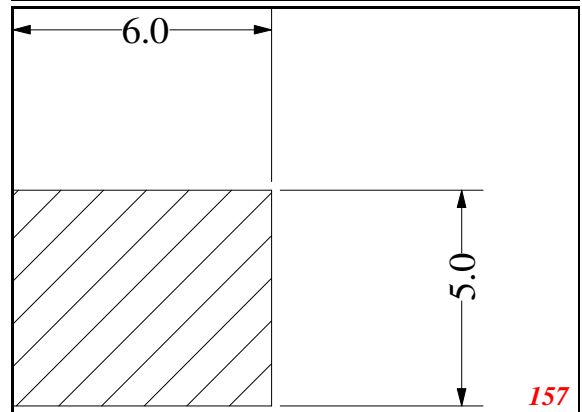
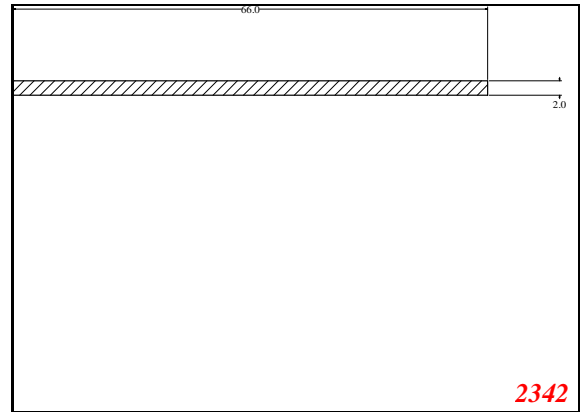
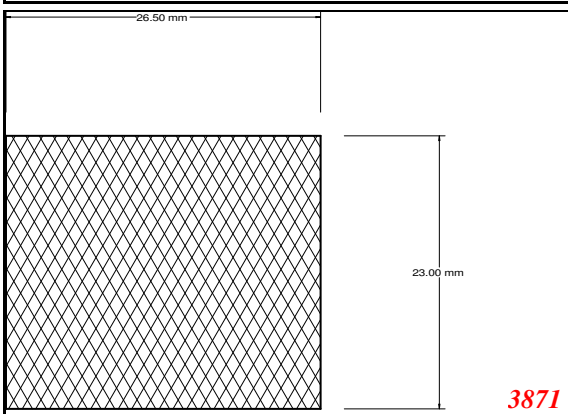
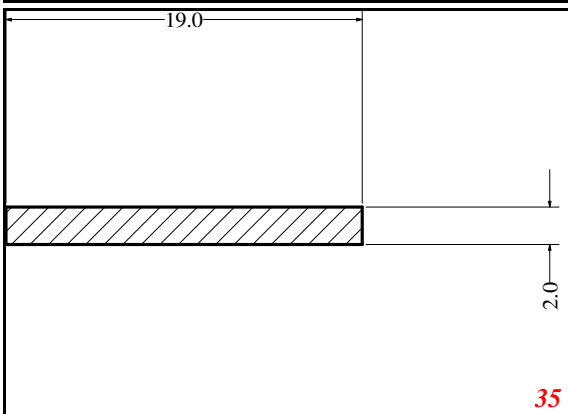
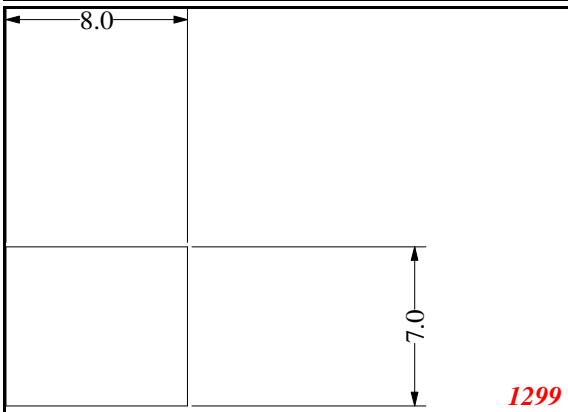
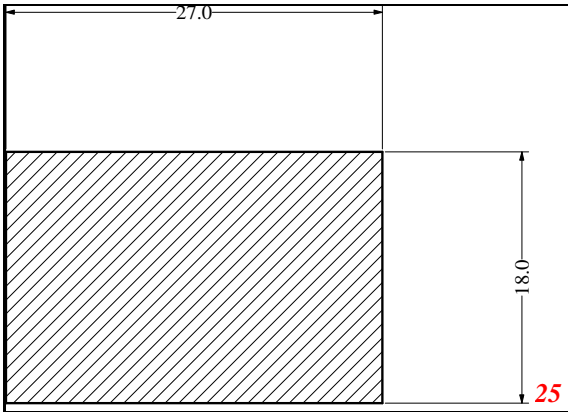
*Strip*



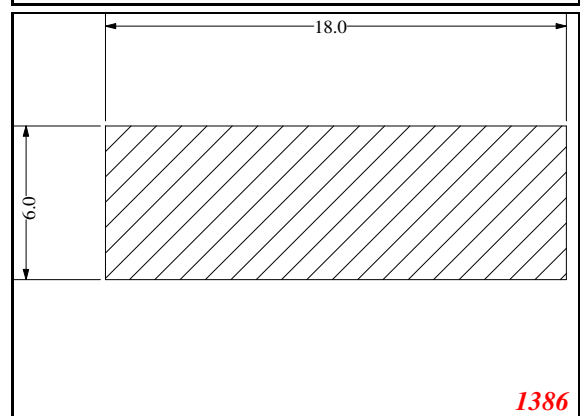
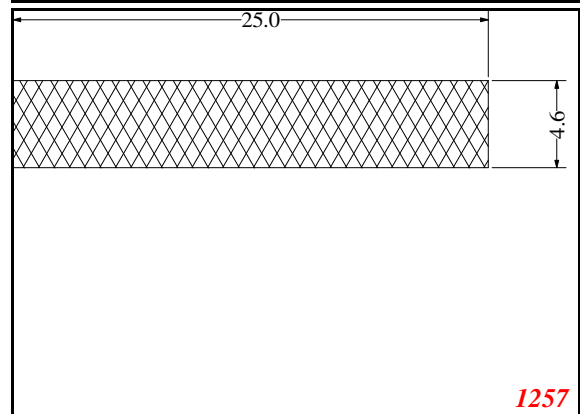
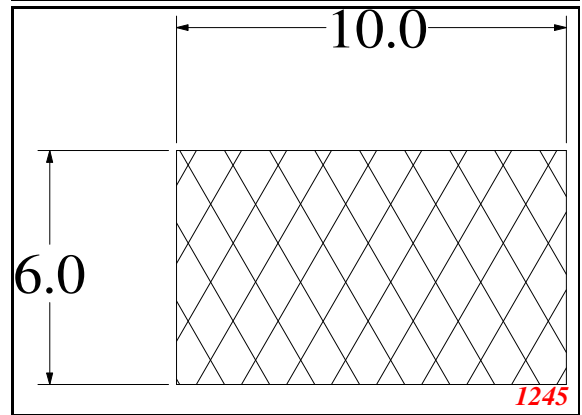
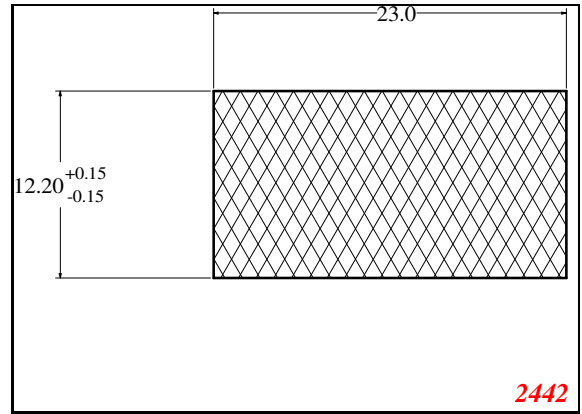
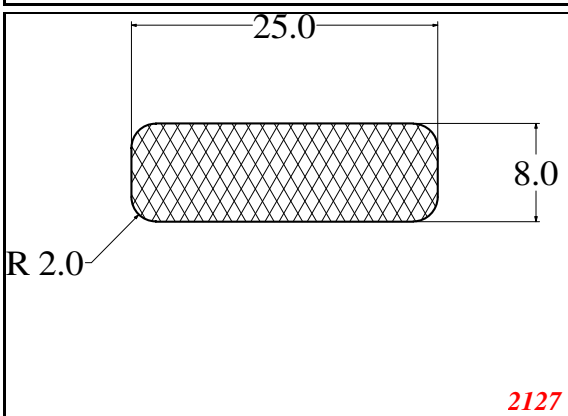
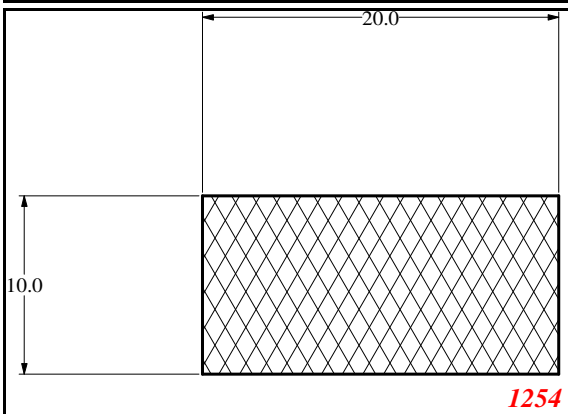
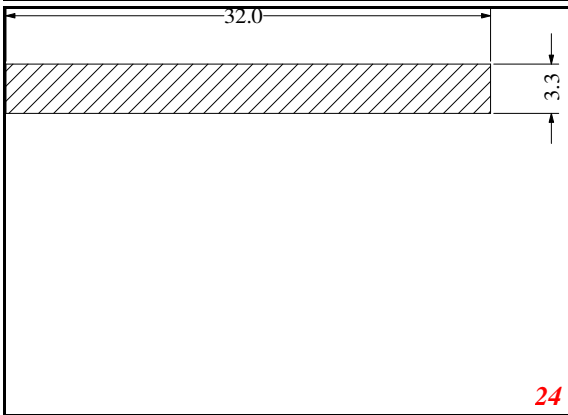
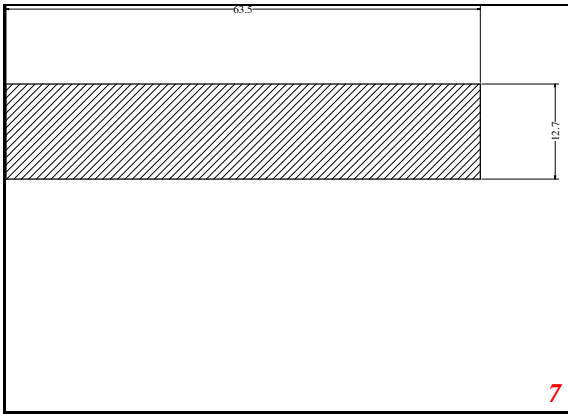
Strip



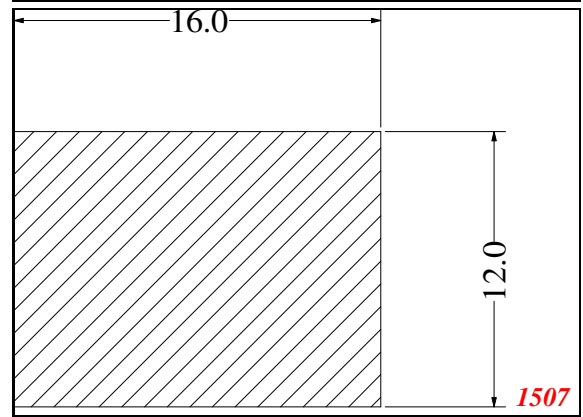
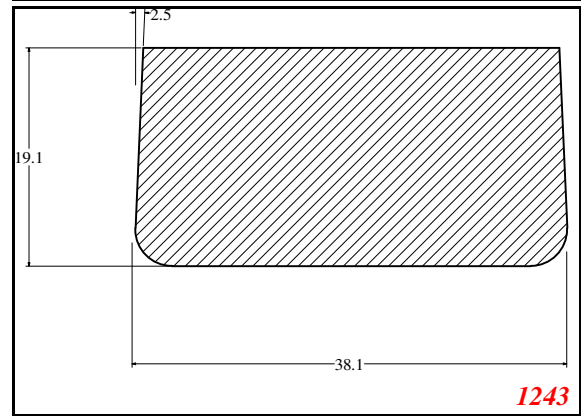
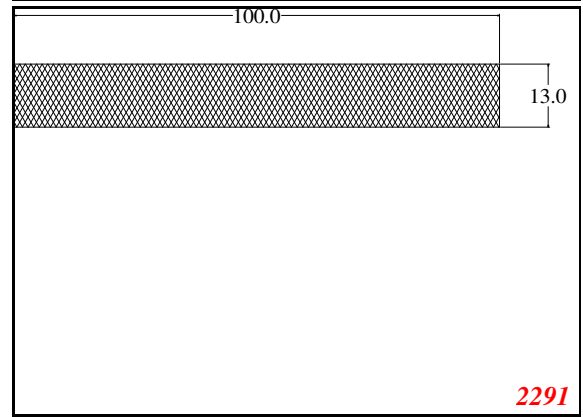
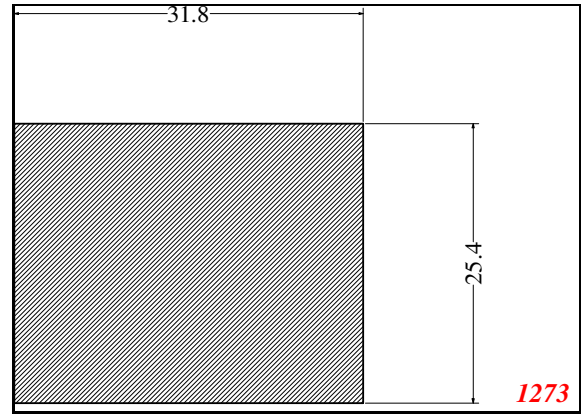
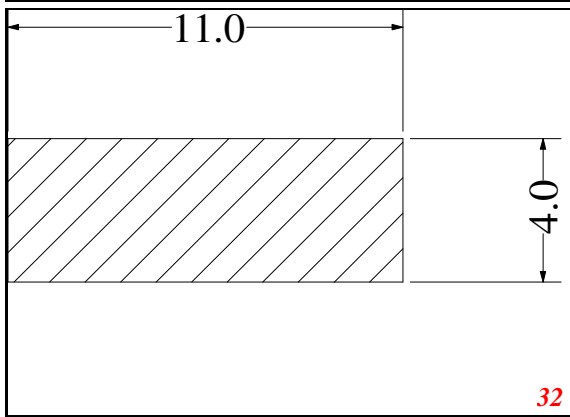
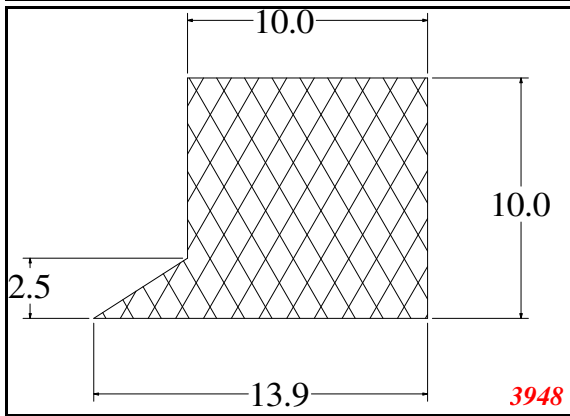
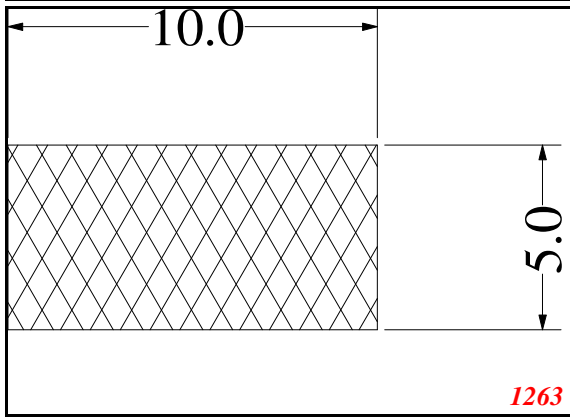
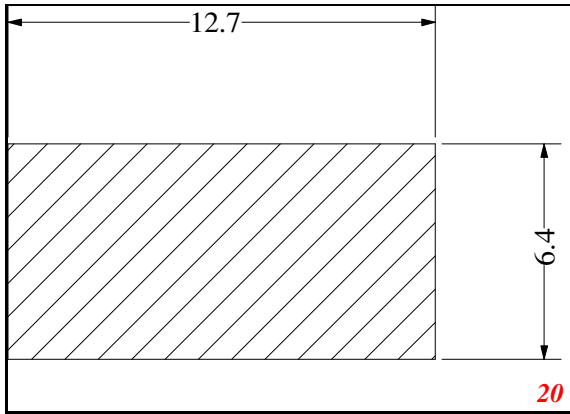
Strip



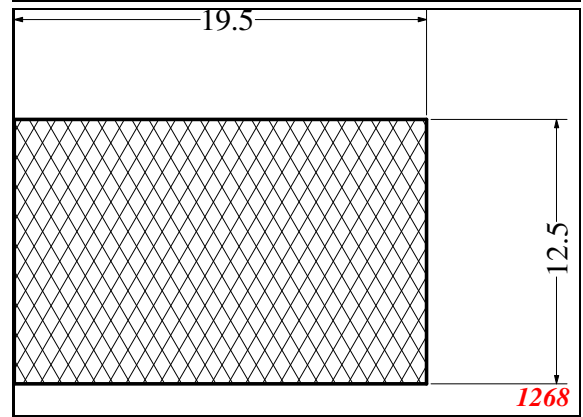
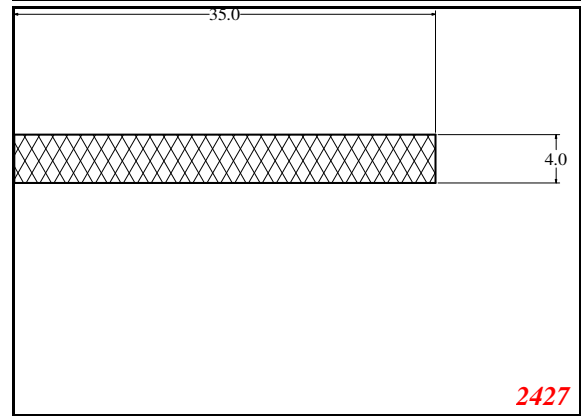
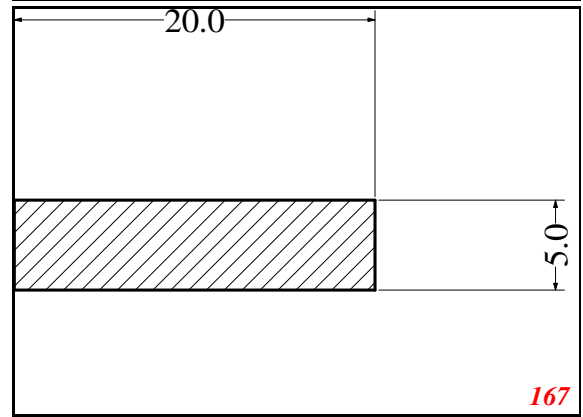
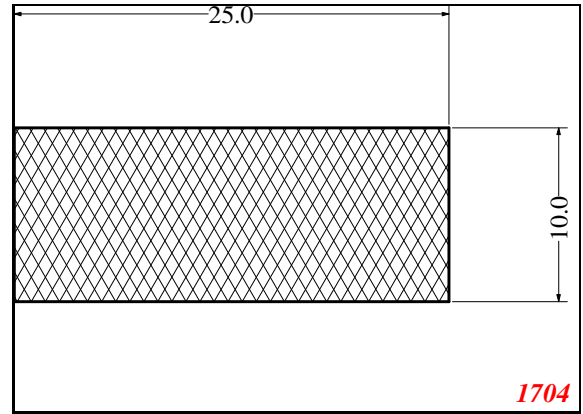
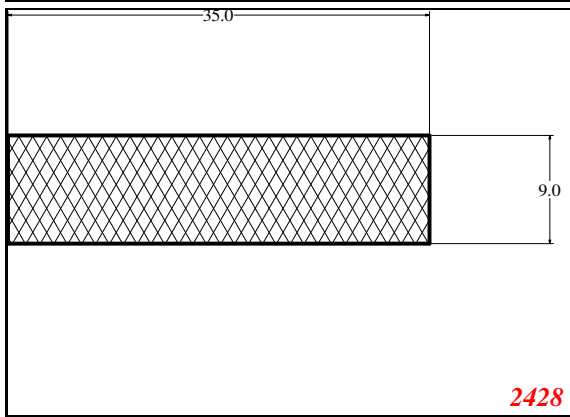
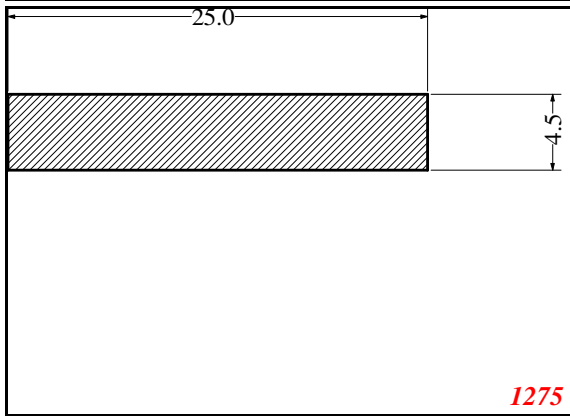
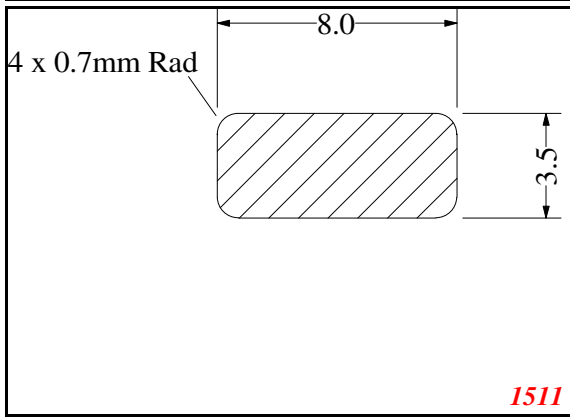
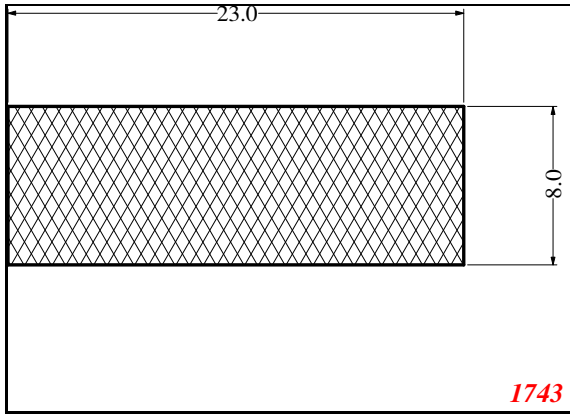
*Strip*



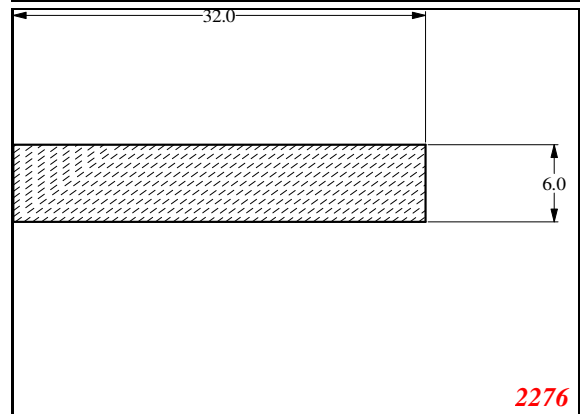
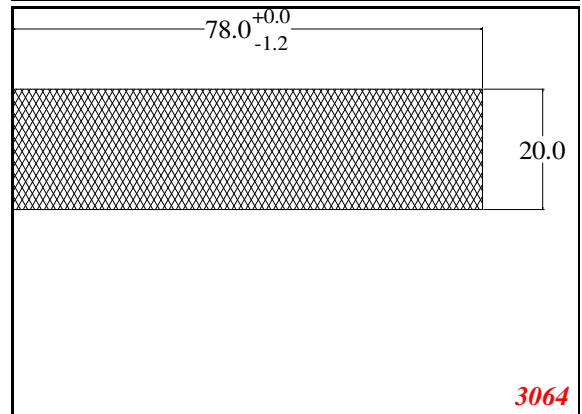
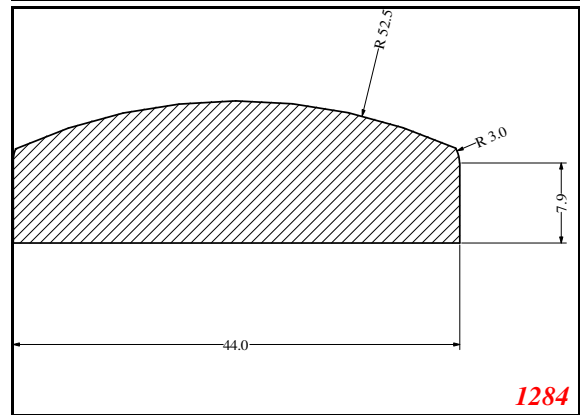
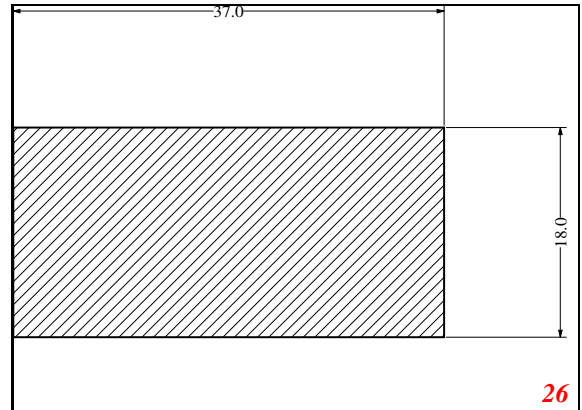
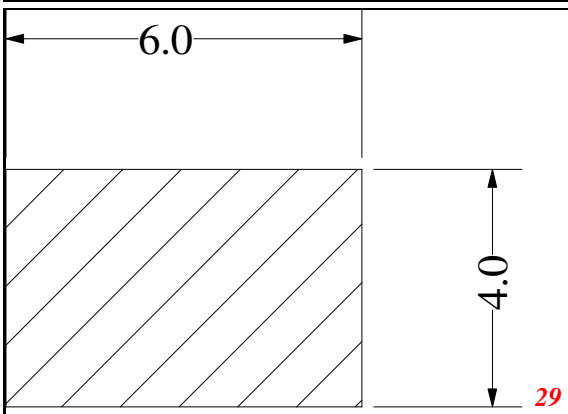
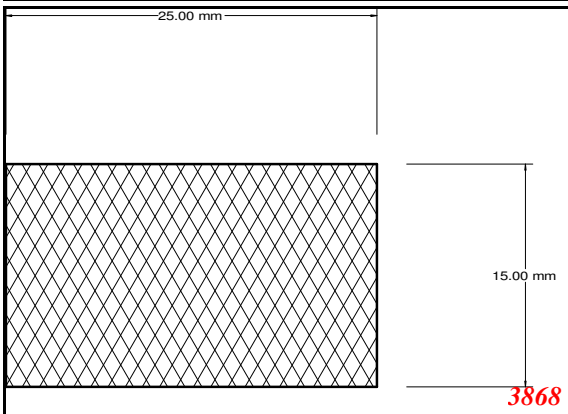
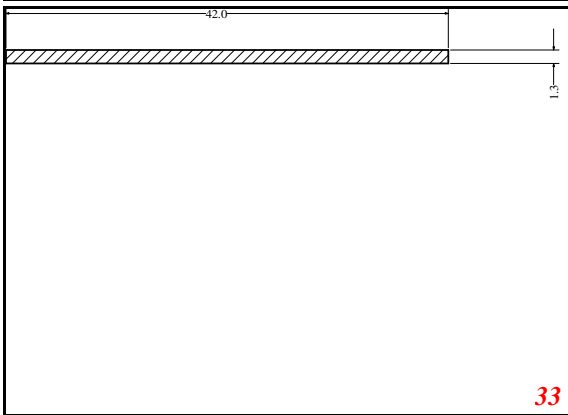
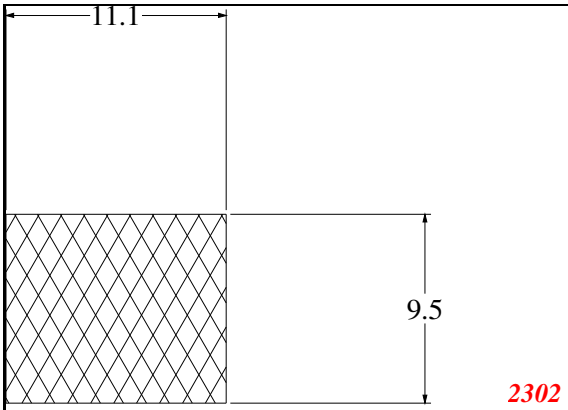
Strip



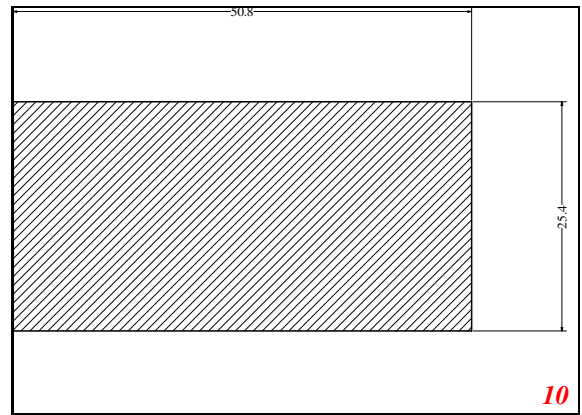
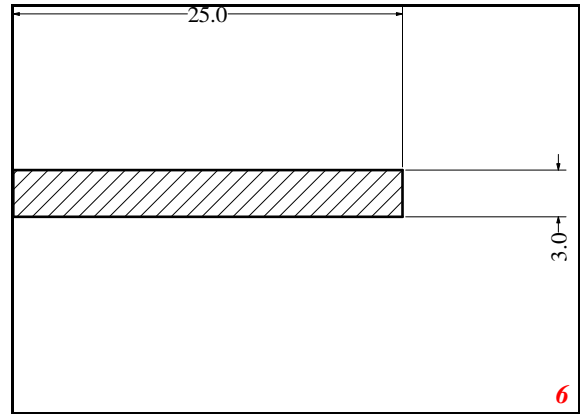
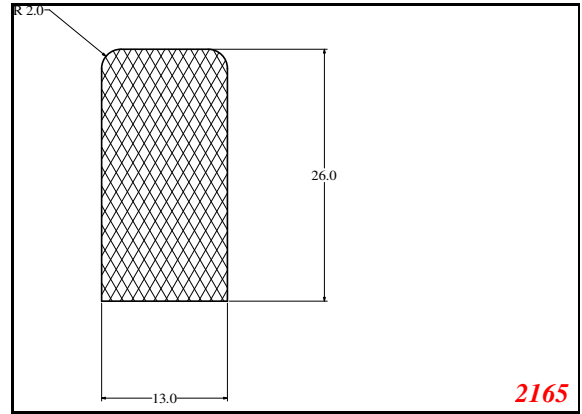
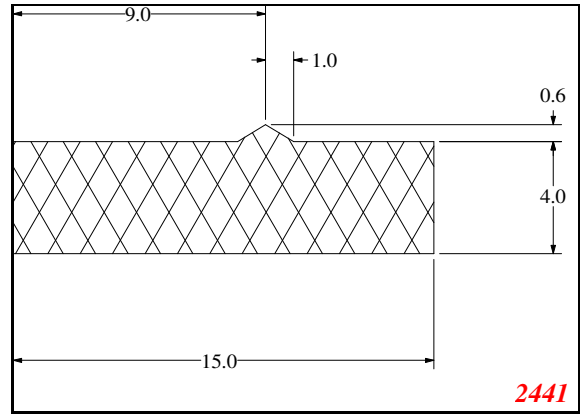
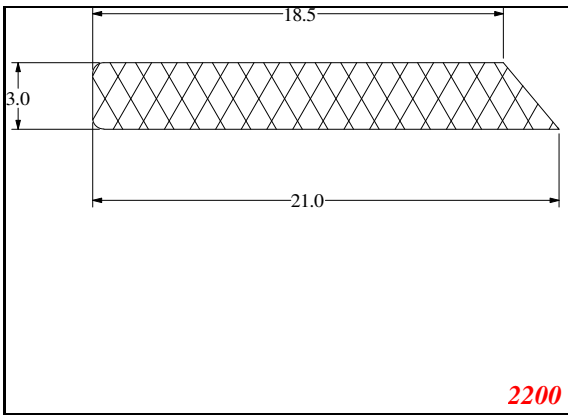
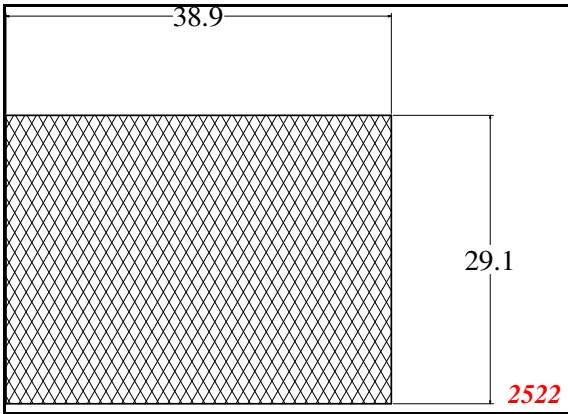
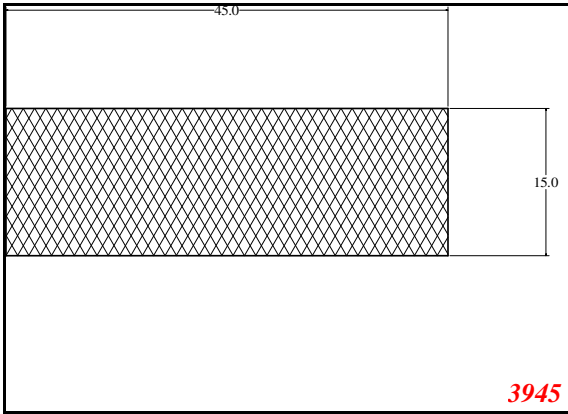
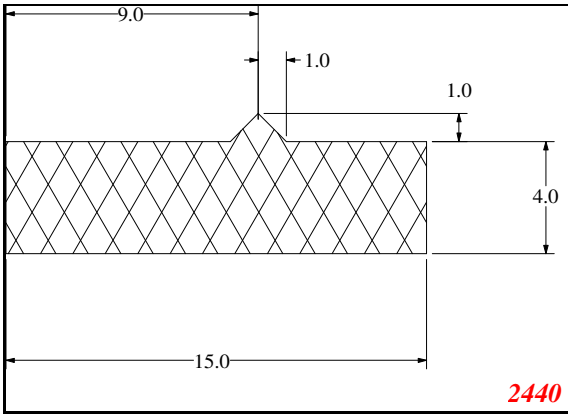
*Strip*



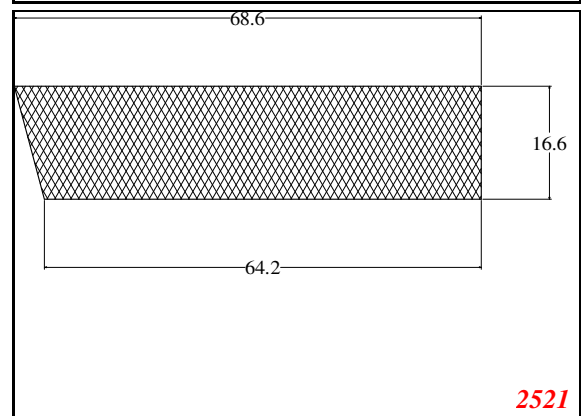
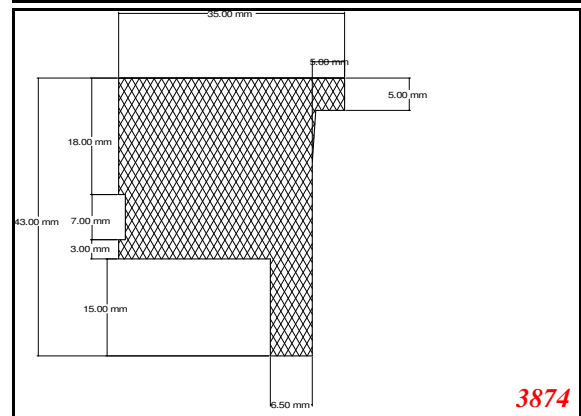
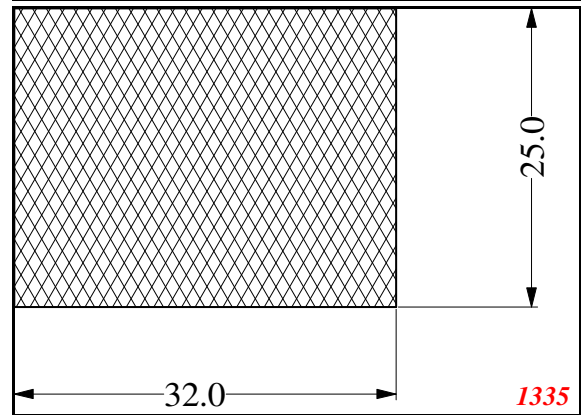
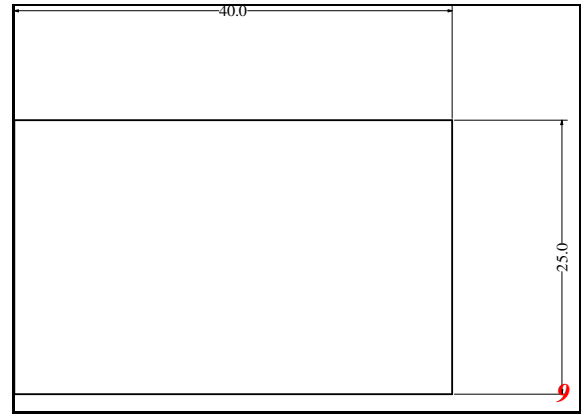
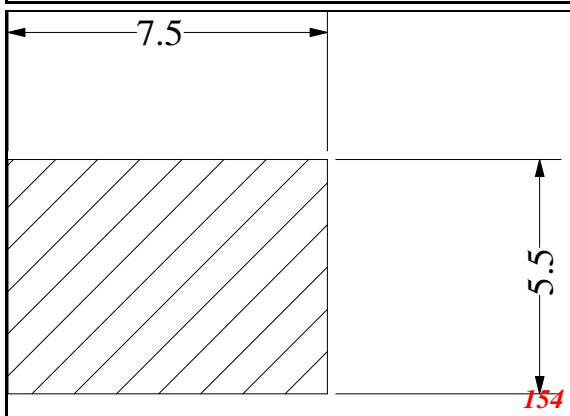
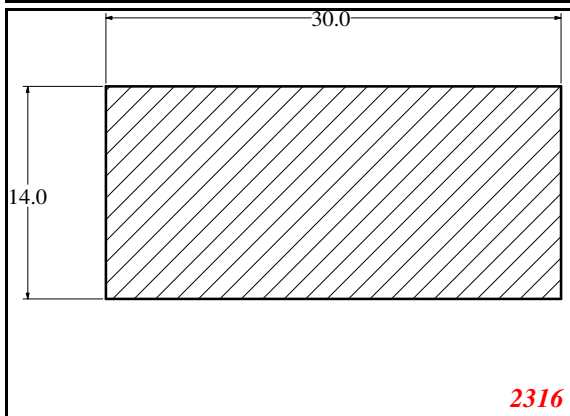
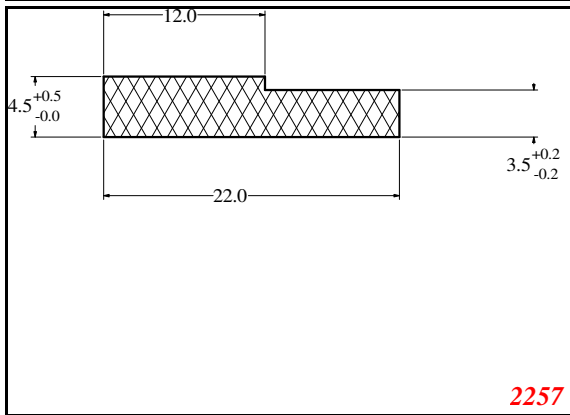
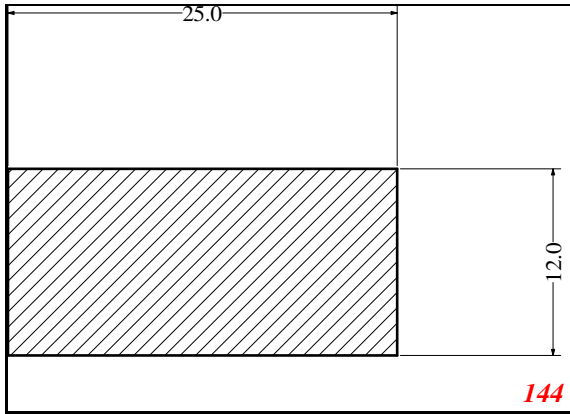
*Strip*



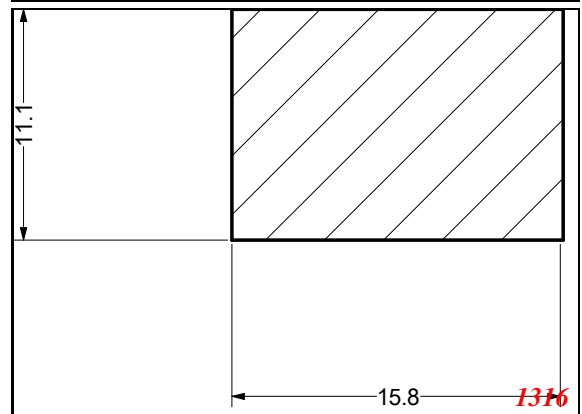
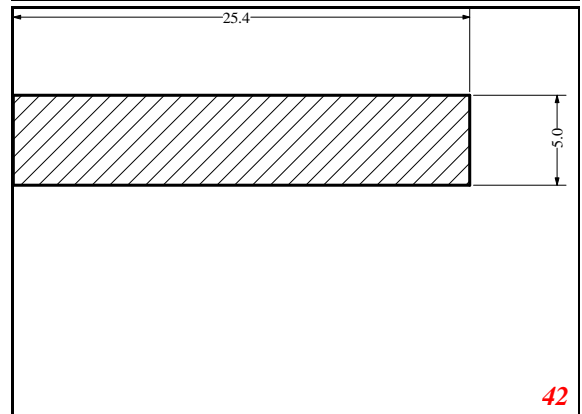
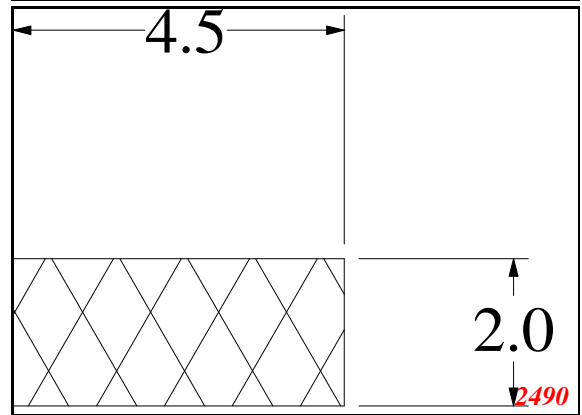
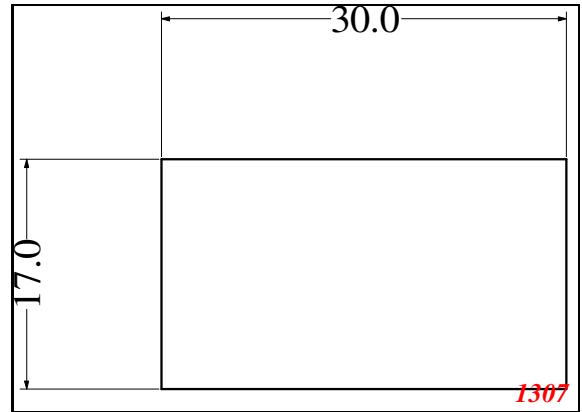
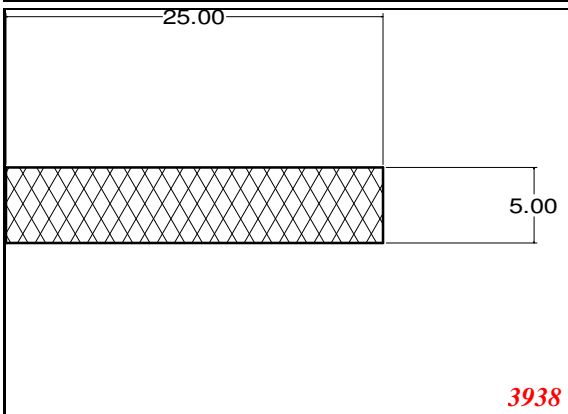
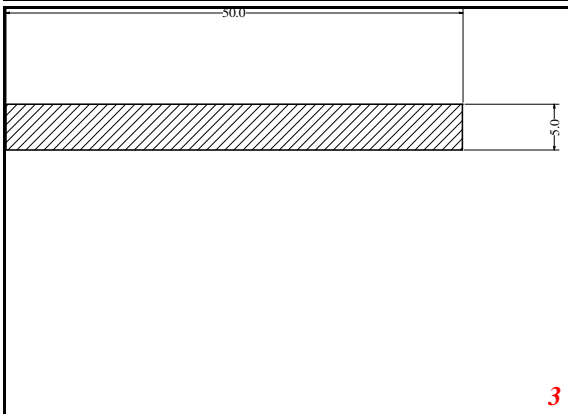
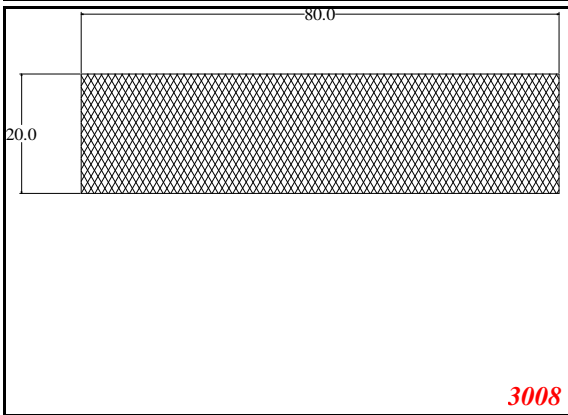
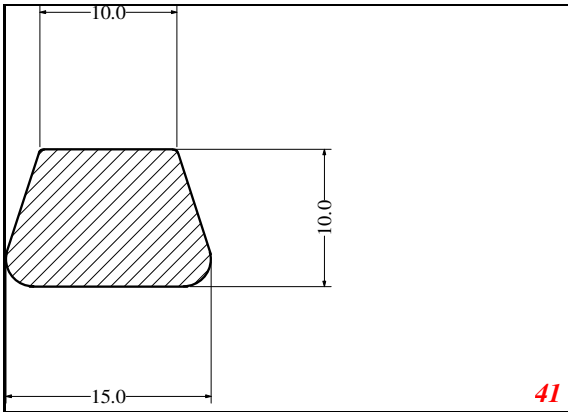
**Strip**



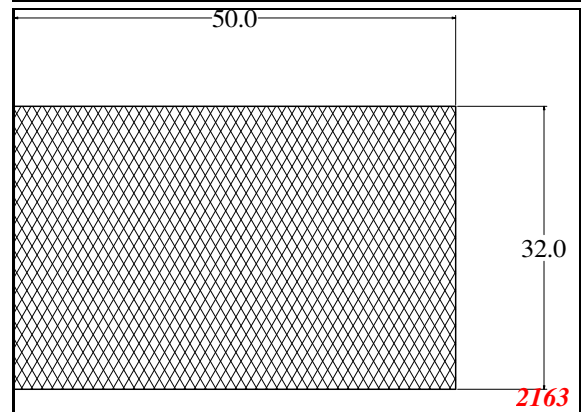
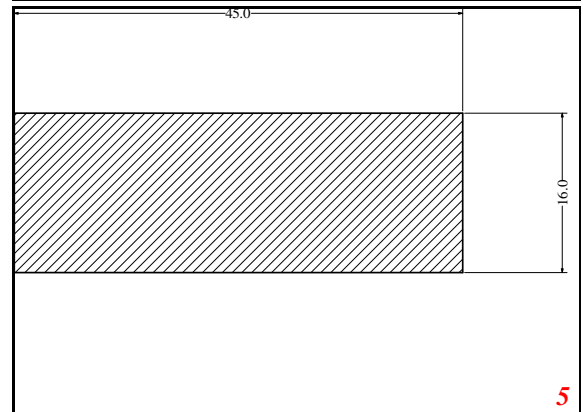
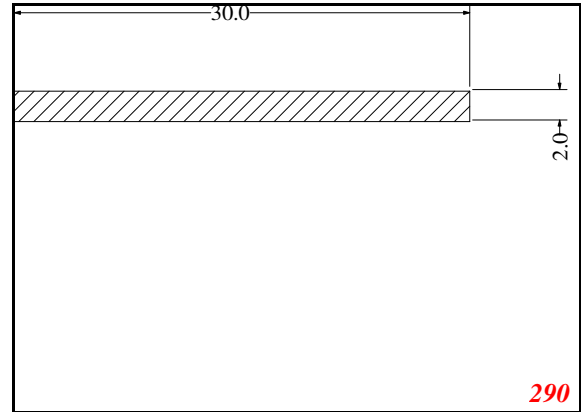
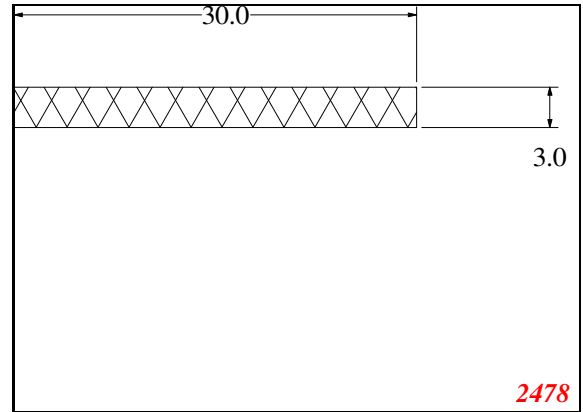
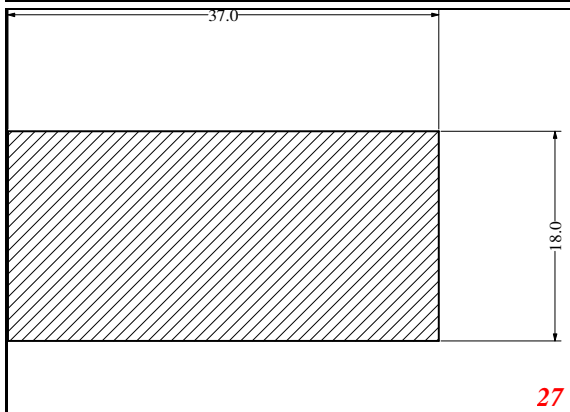
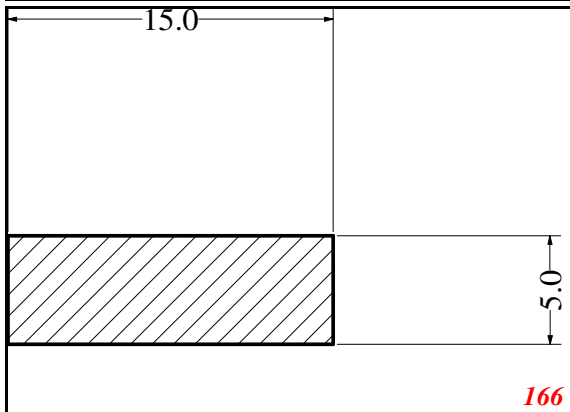
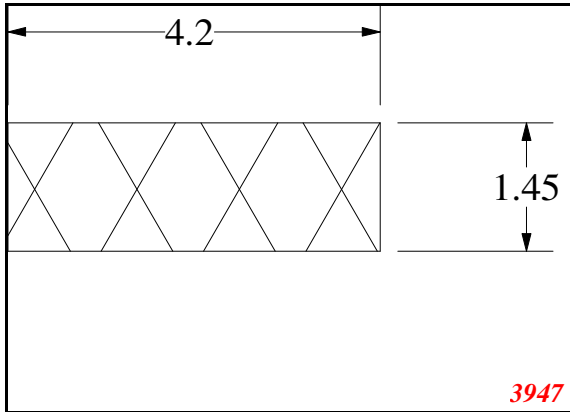
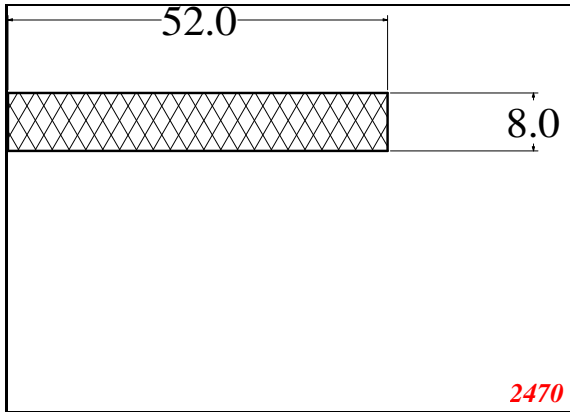
Strip



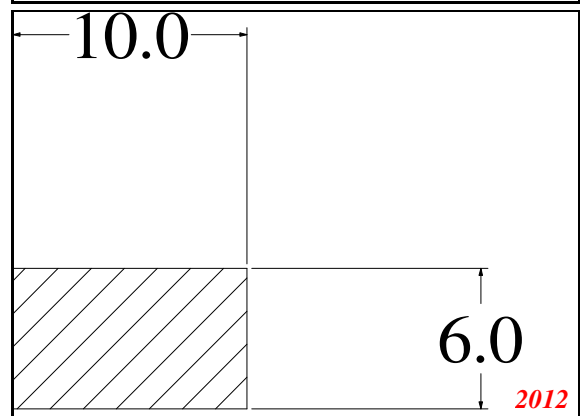
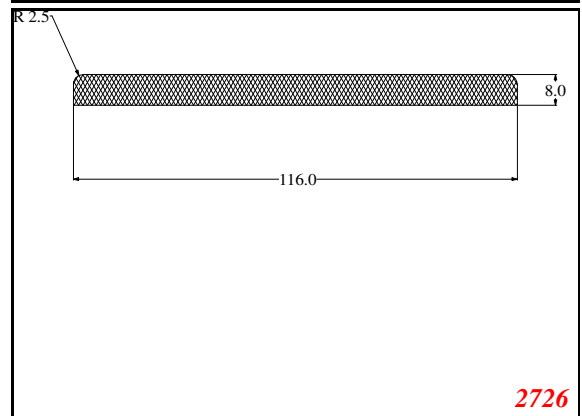
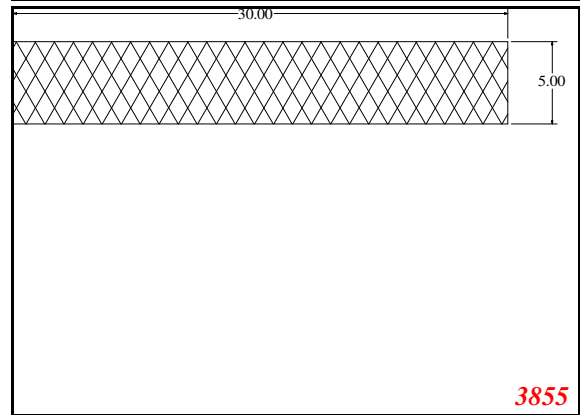
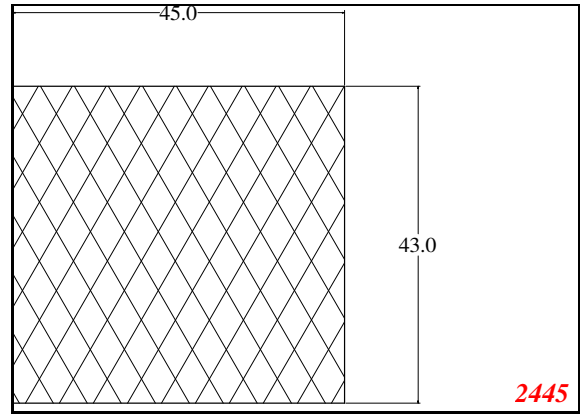
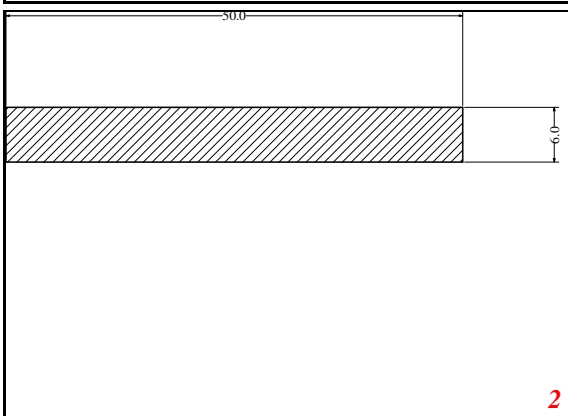
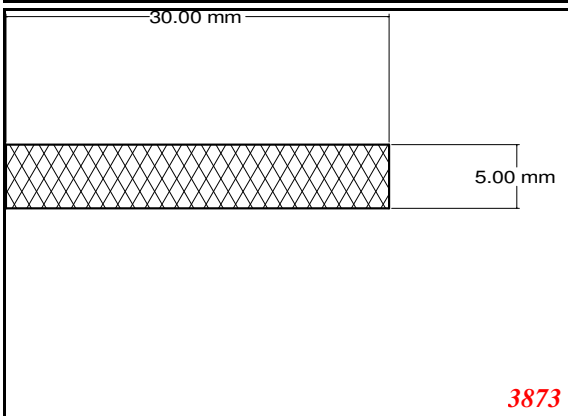
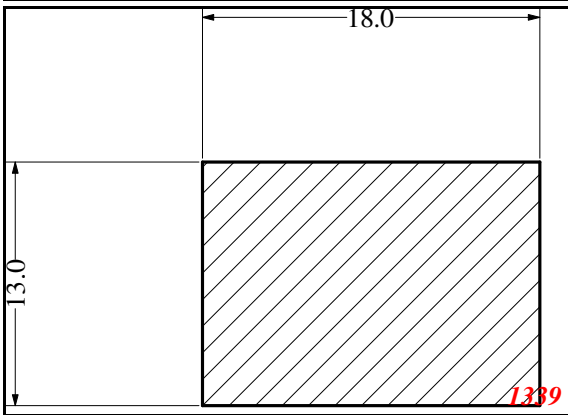
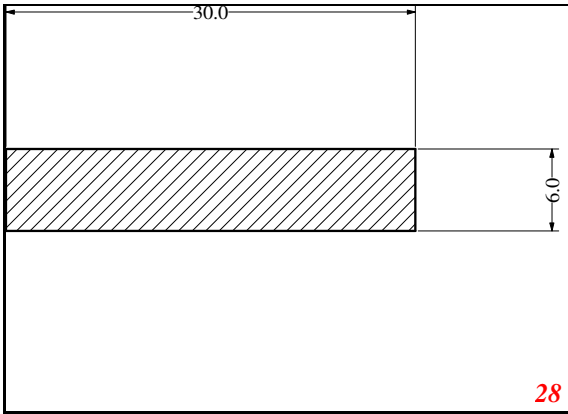
*Strip*



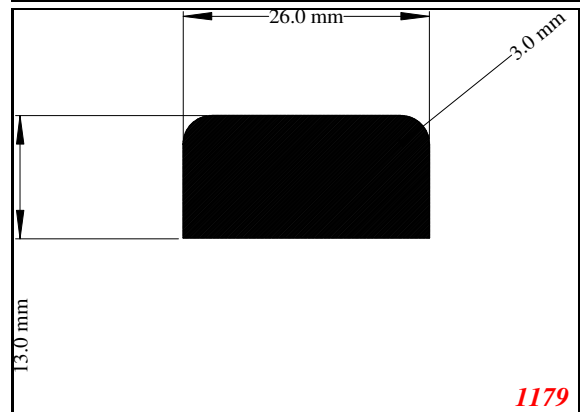
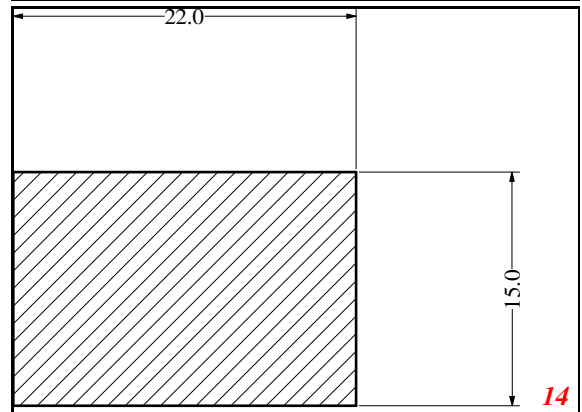
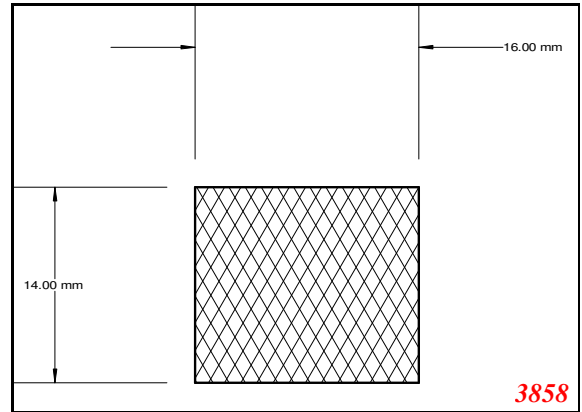
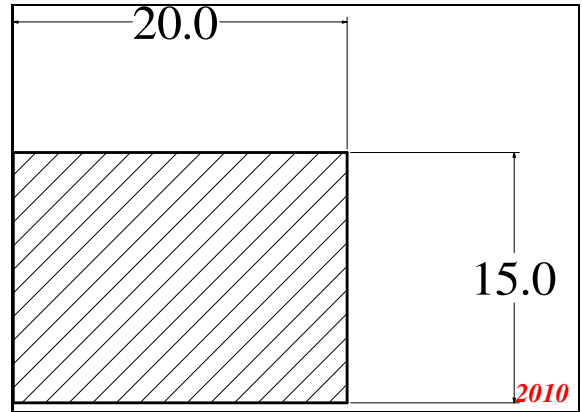
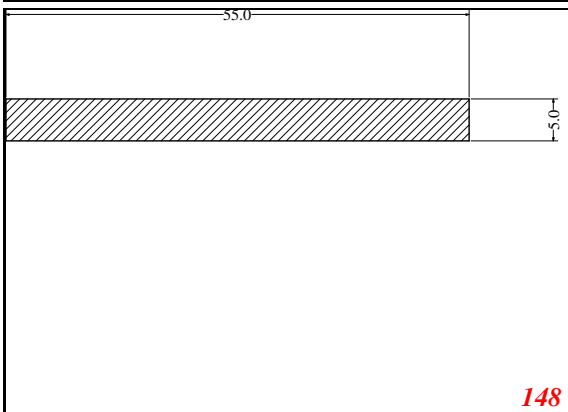
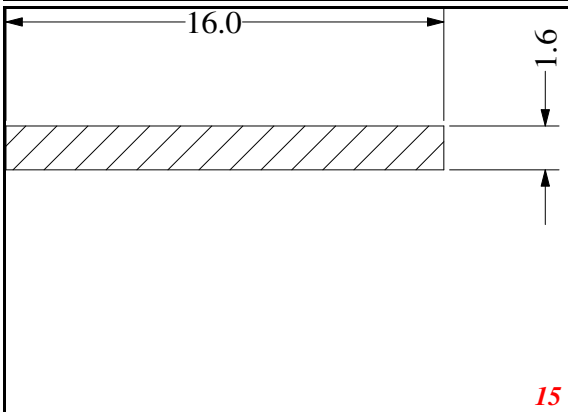
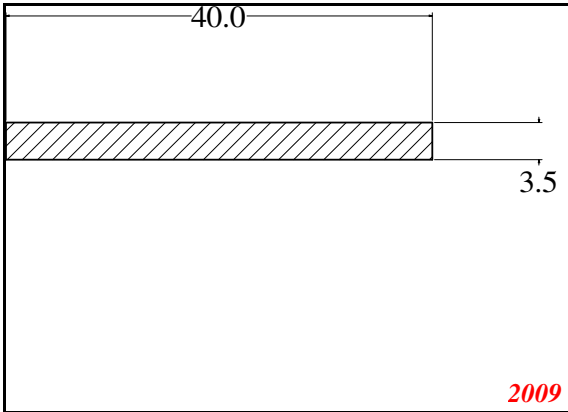
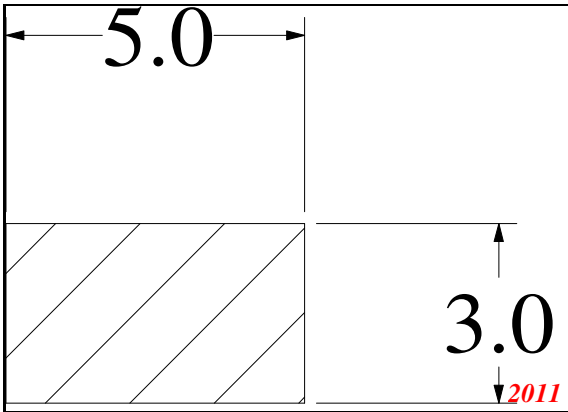
Strip



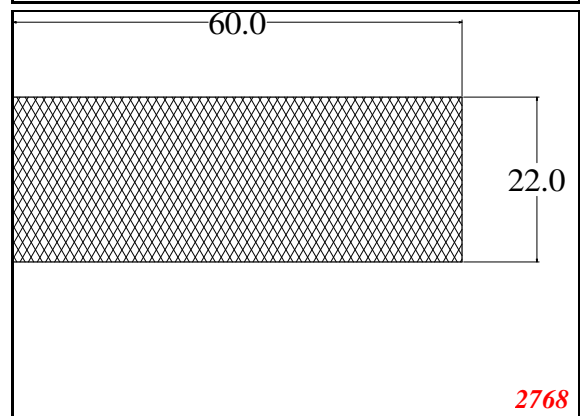
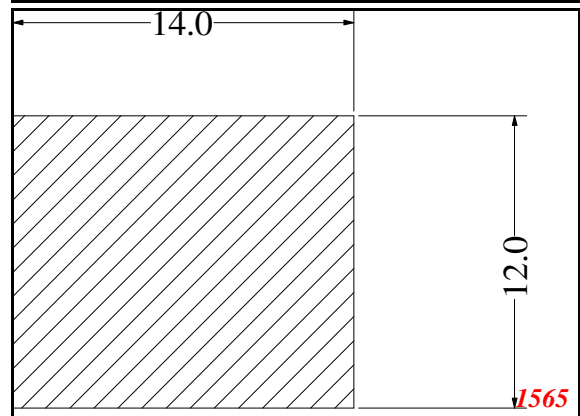
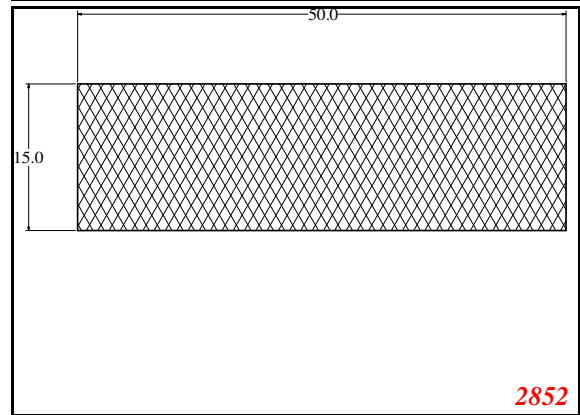
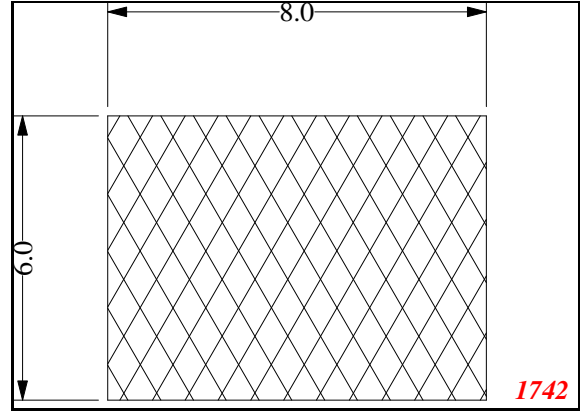
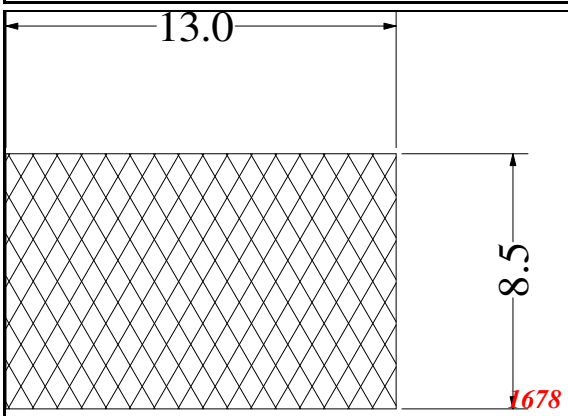
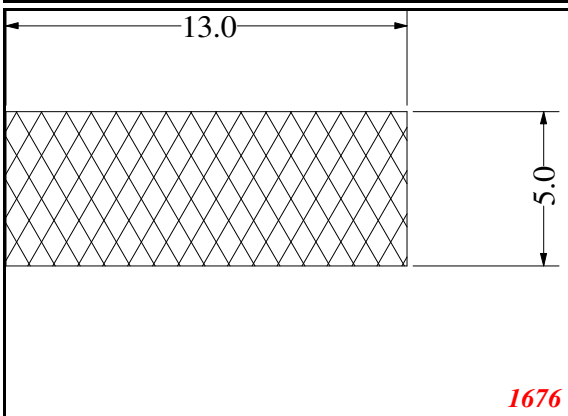
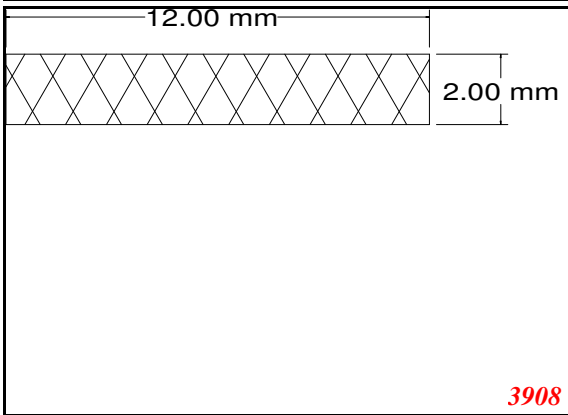
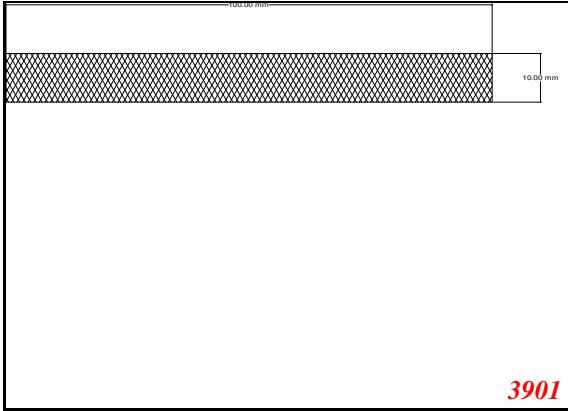
Strip



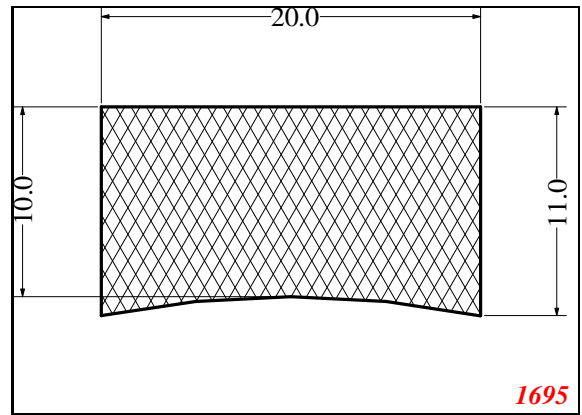
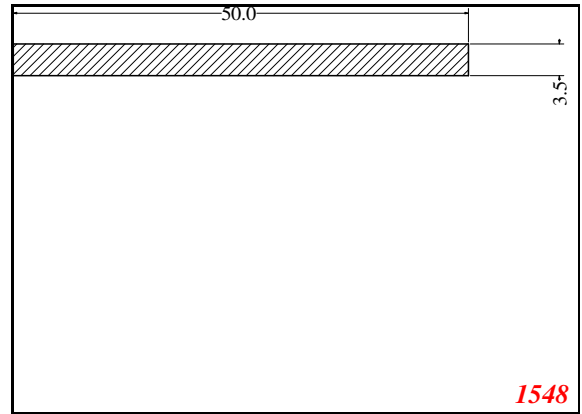
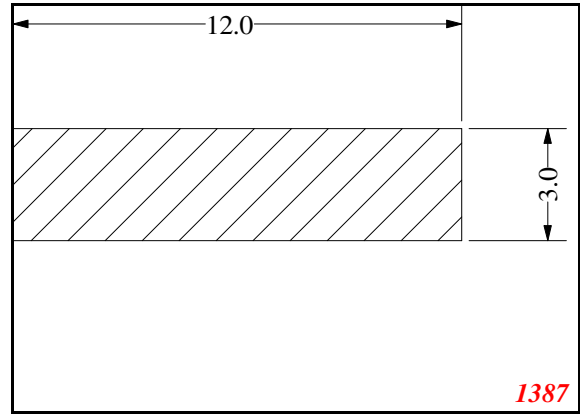
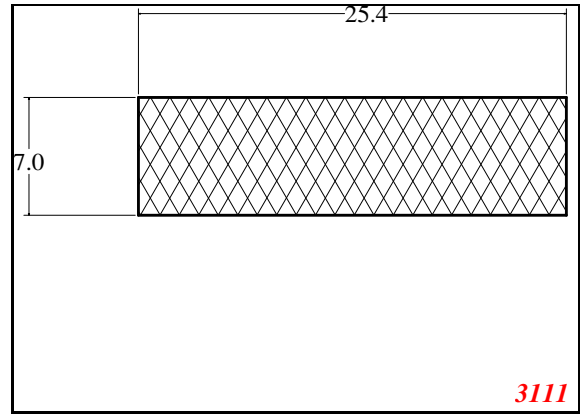
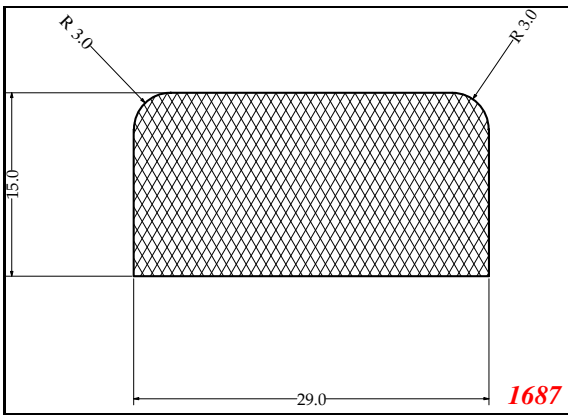
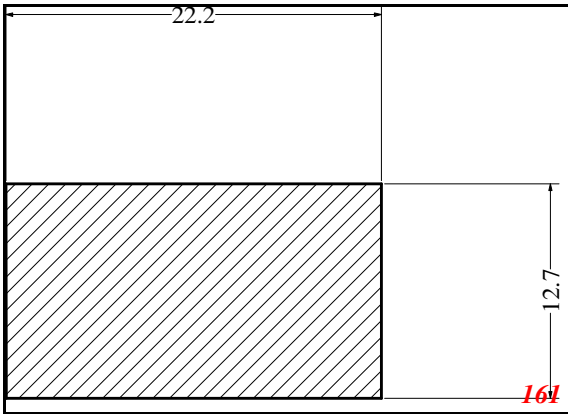
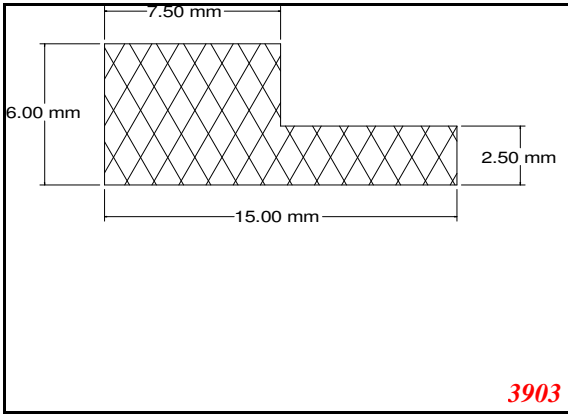
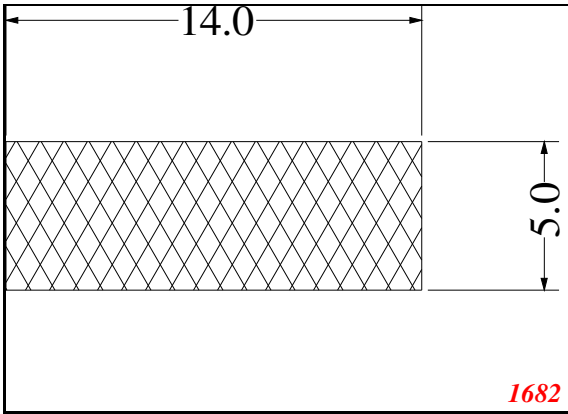
Strip



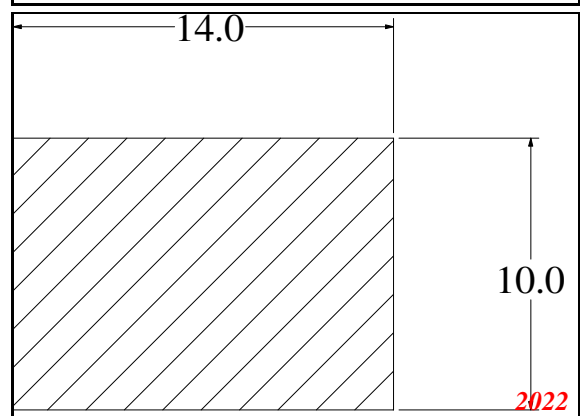
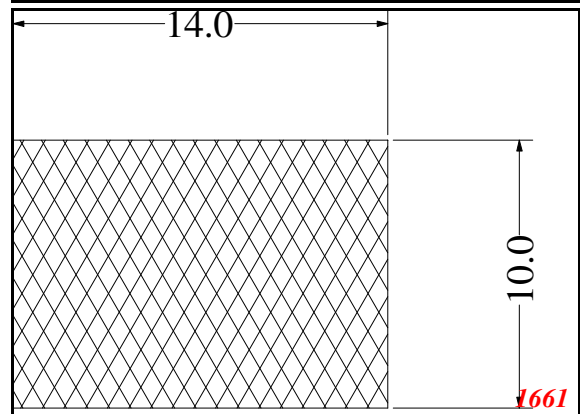
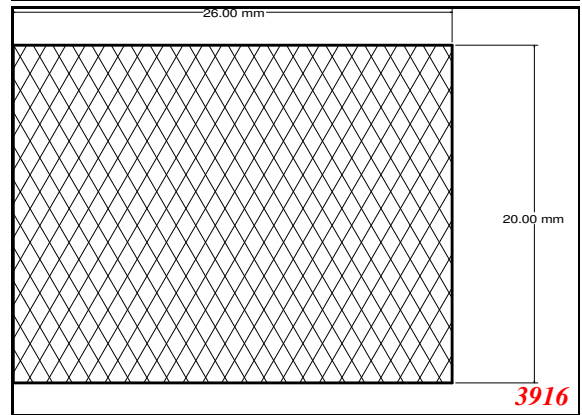
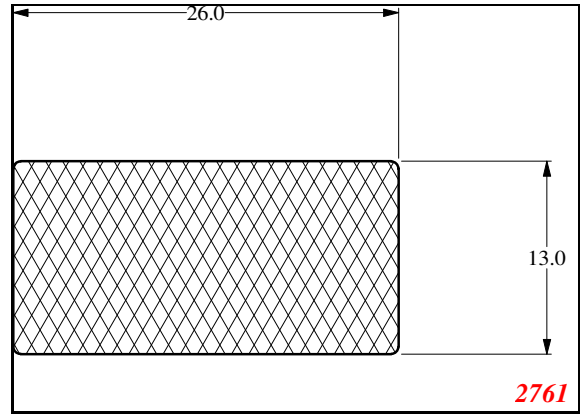
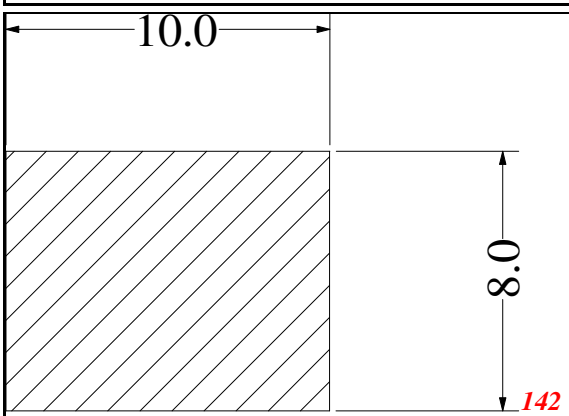
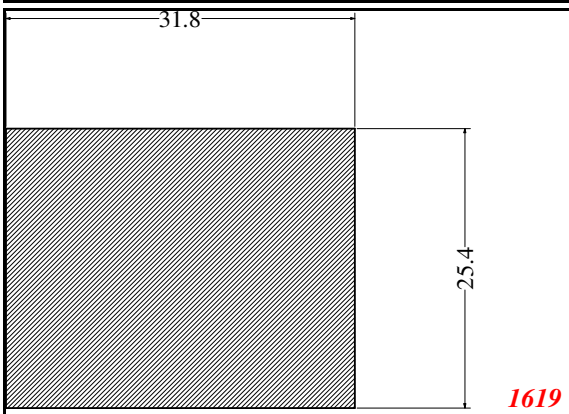
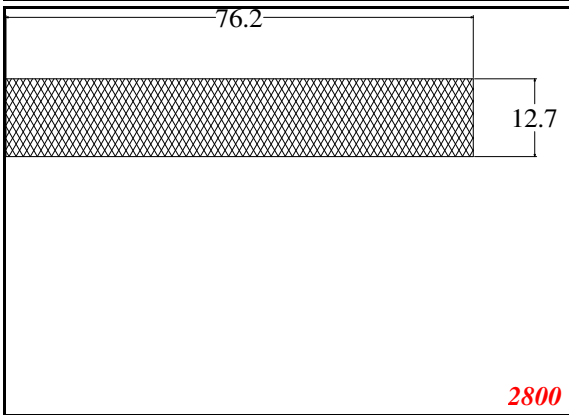
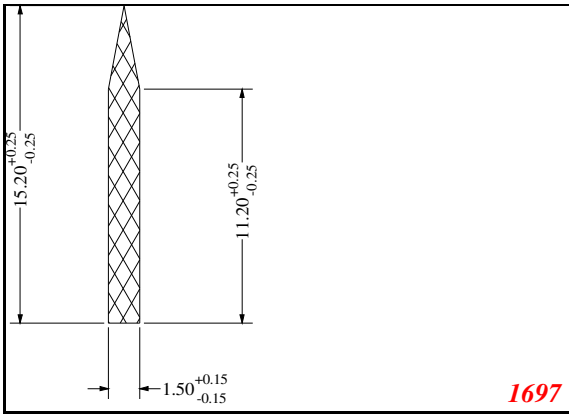
*Strip*



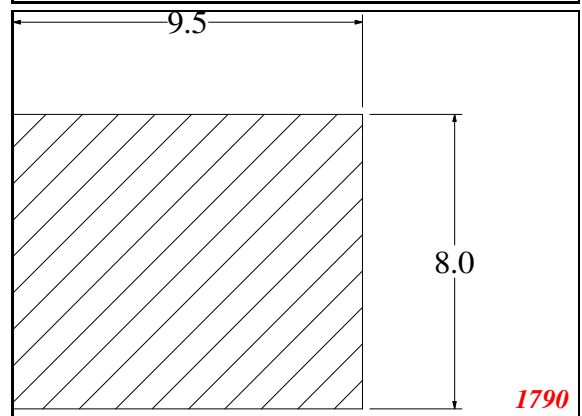
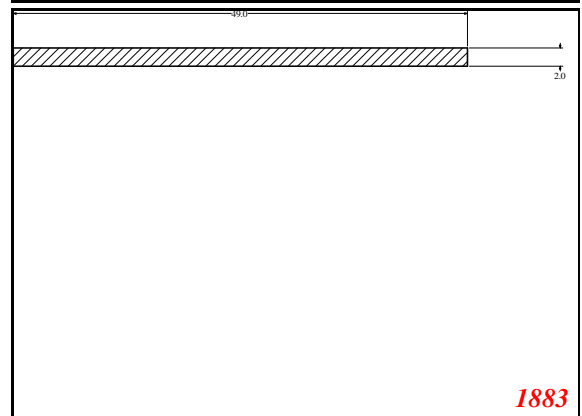
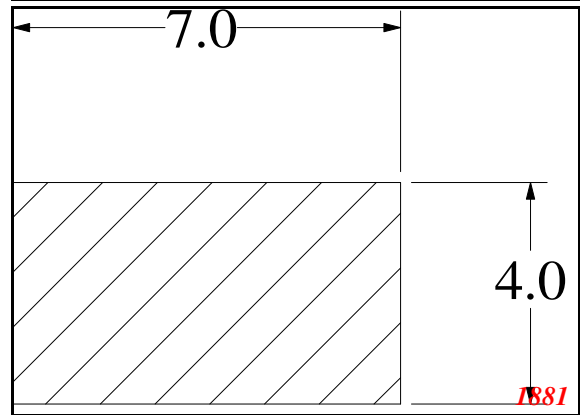
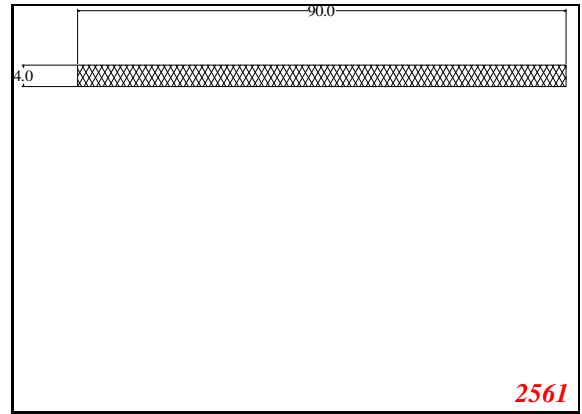
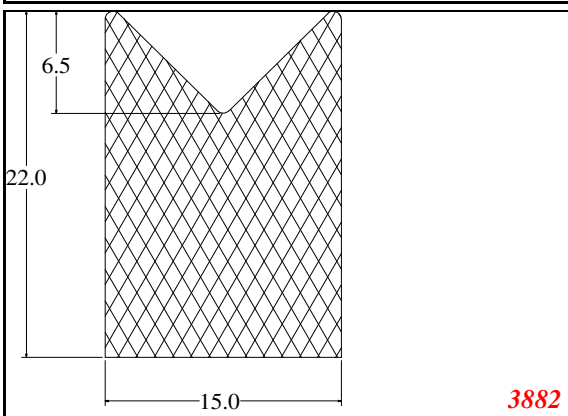
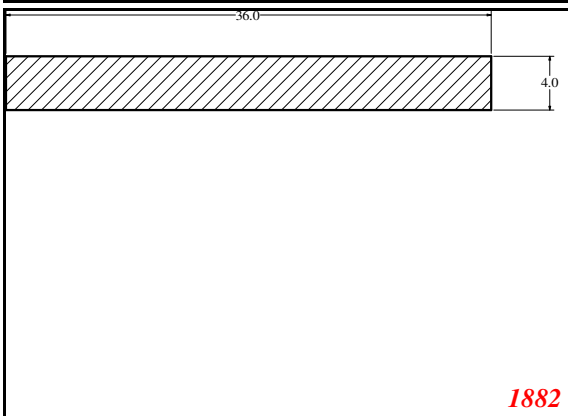
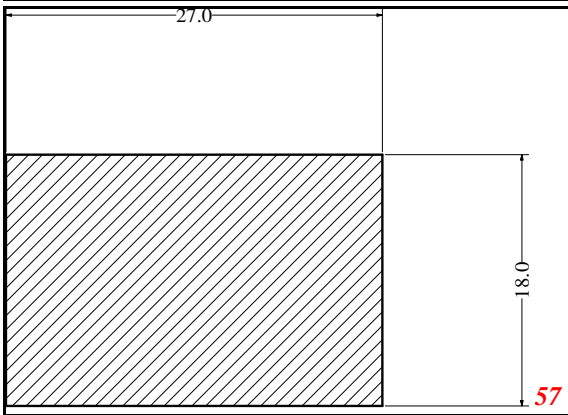
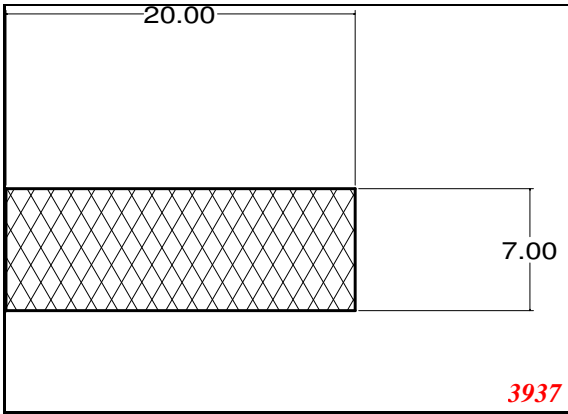
Strip



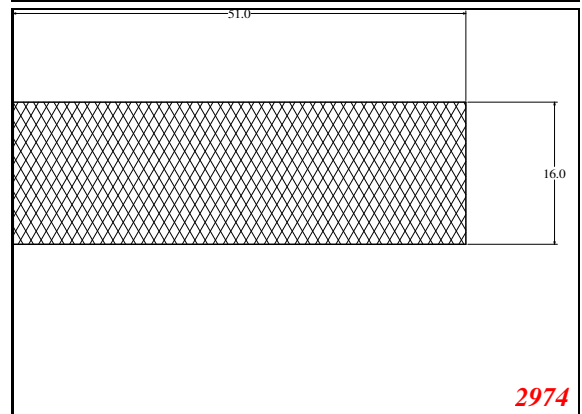
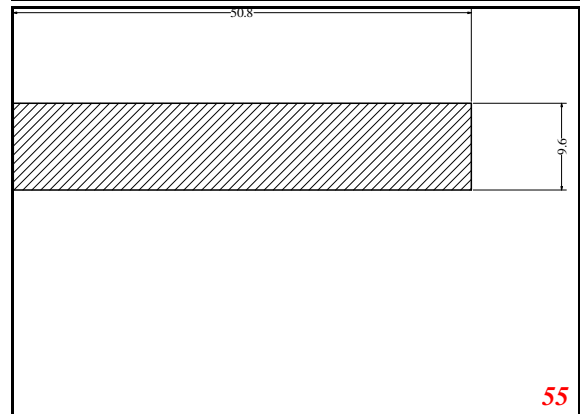
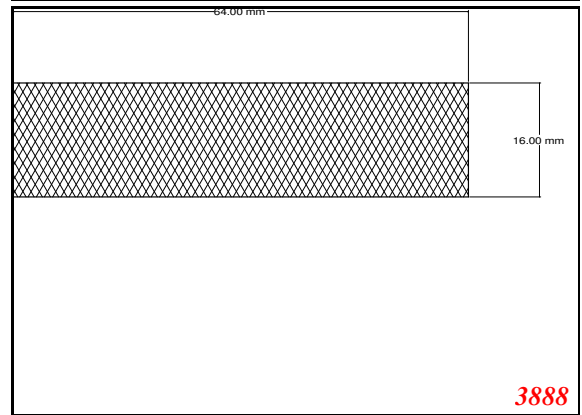
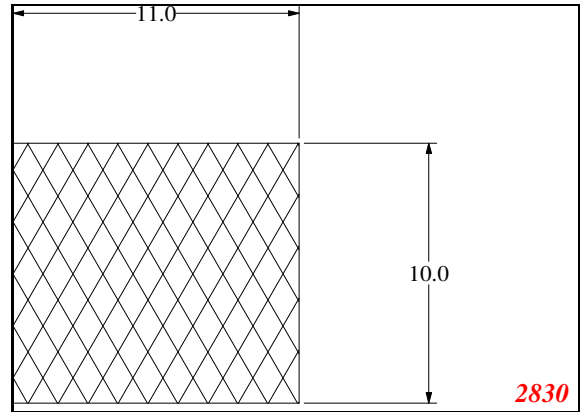
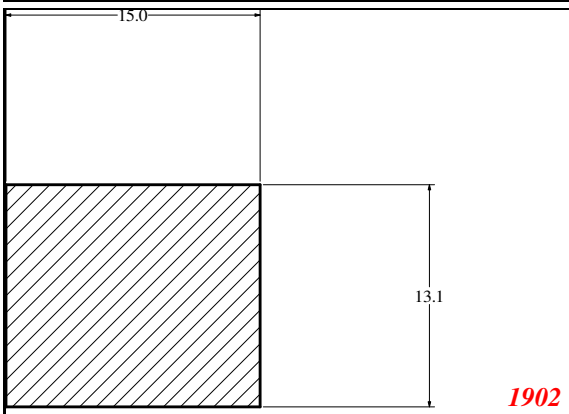
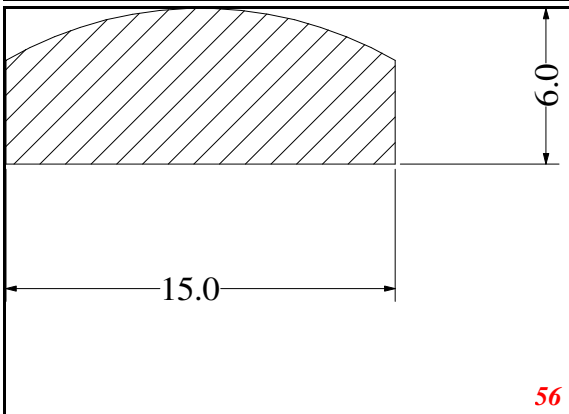
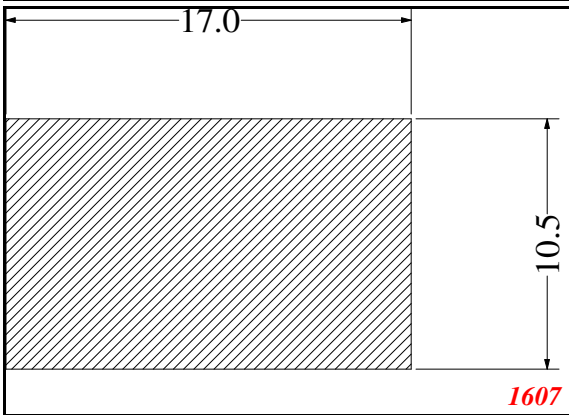
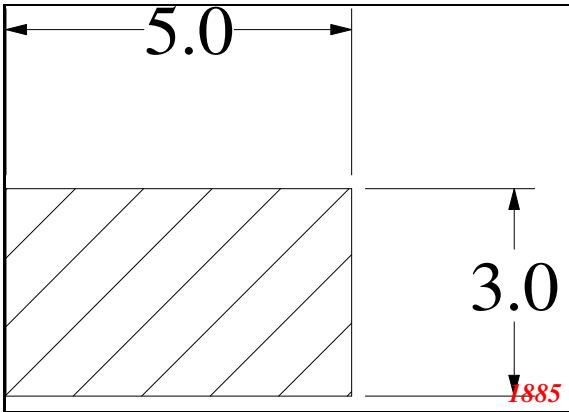
*Strip*



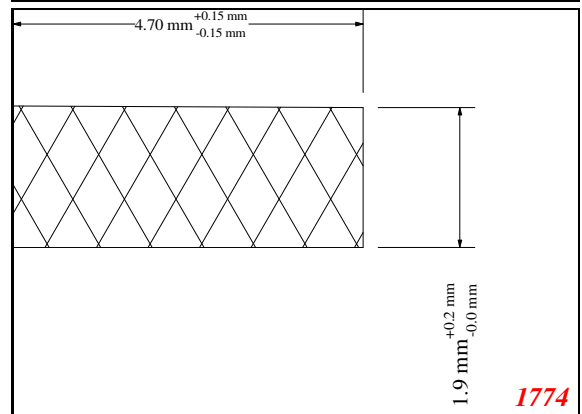
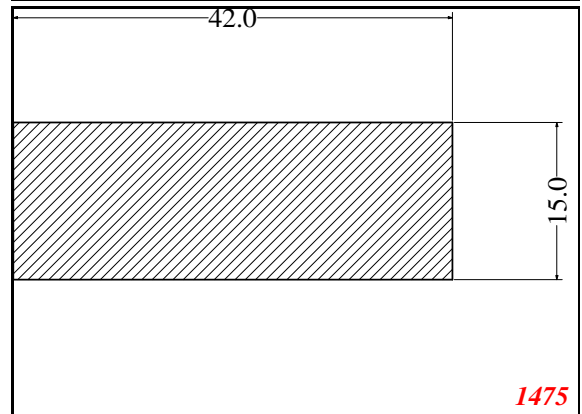
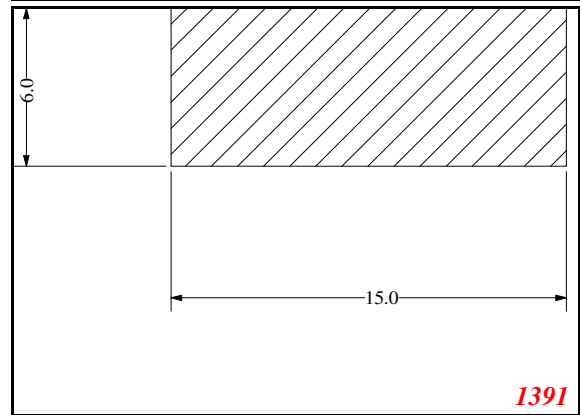
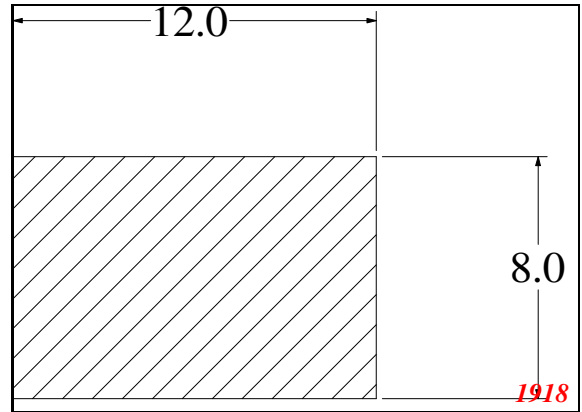
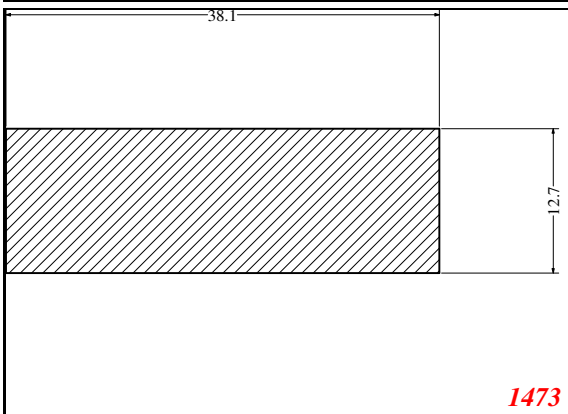
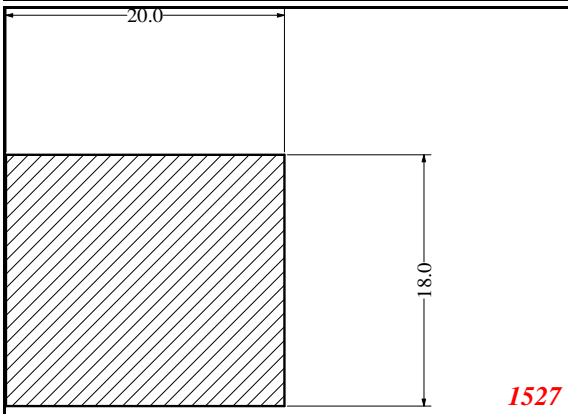
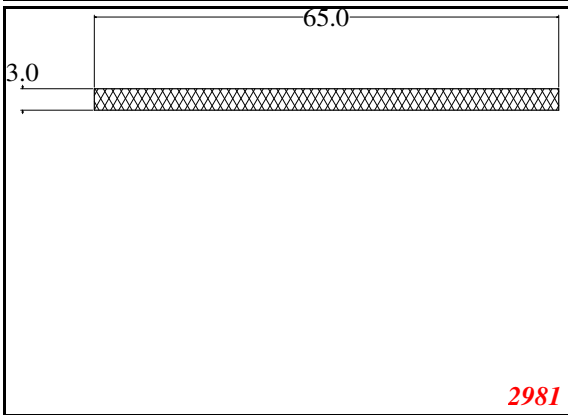
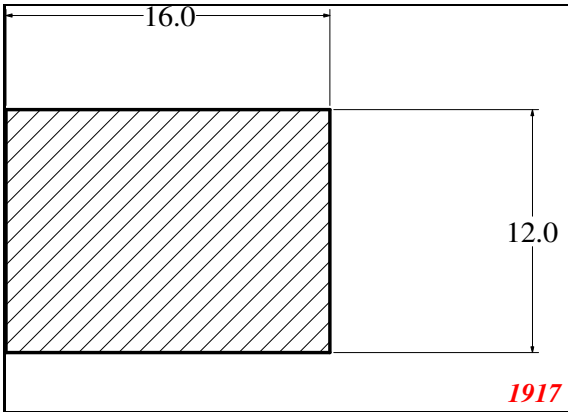
Strip



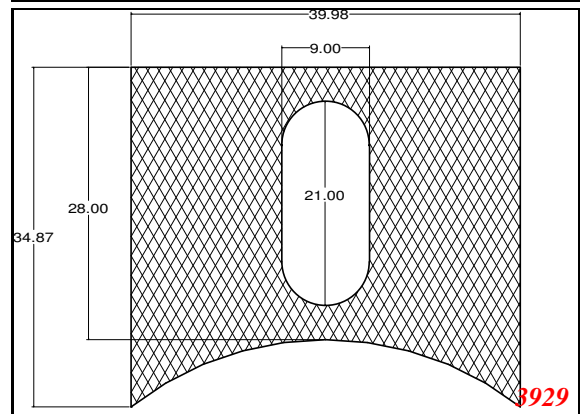
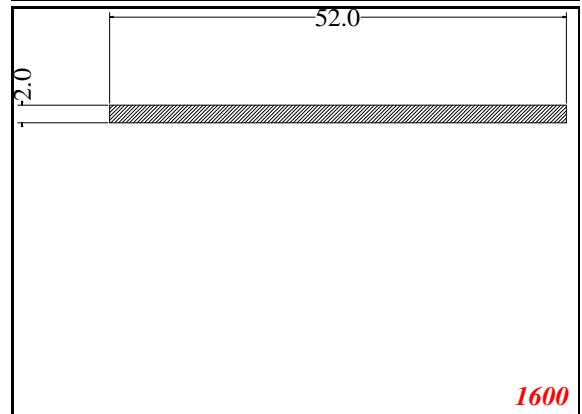
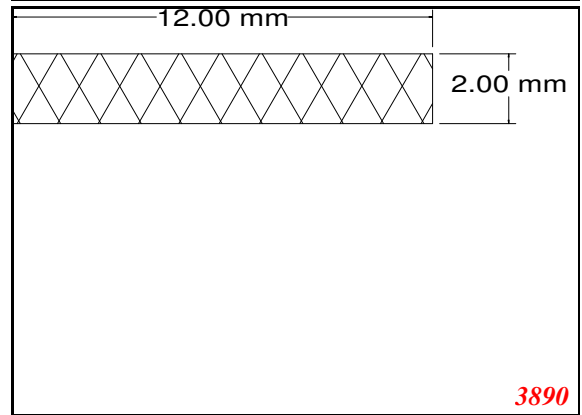
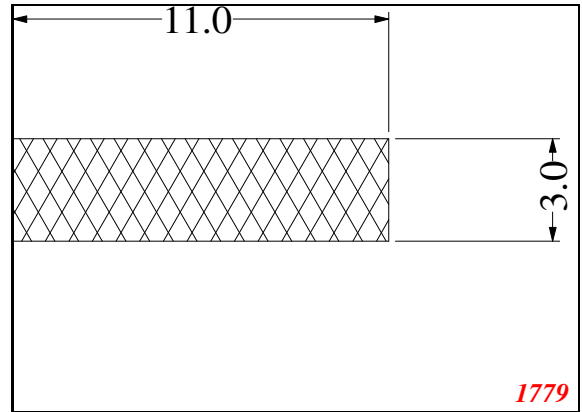
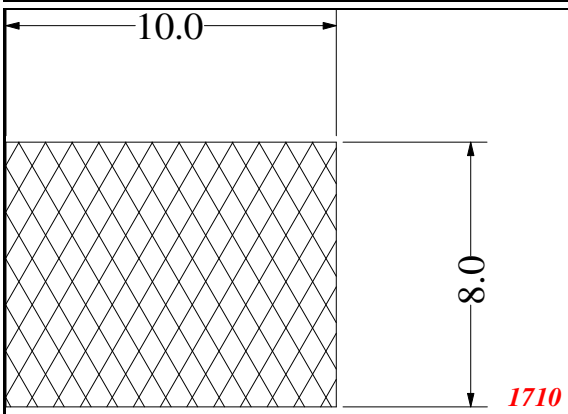
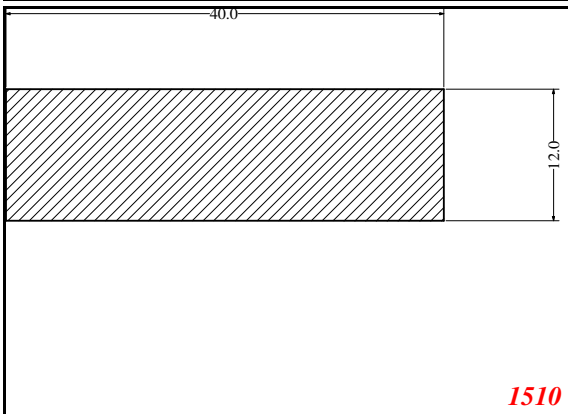
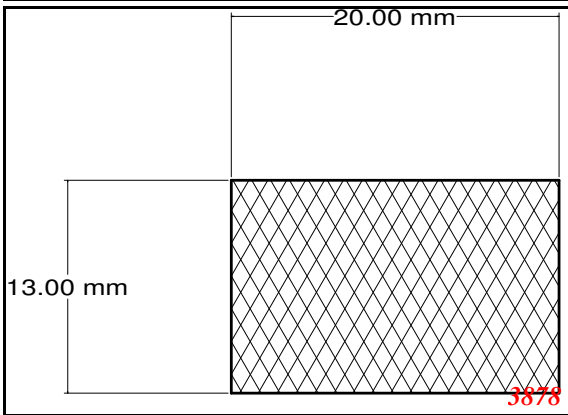
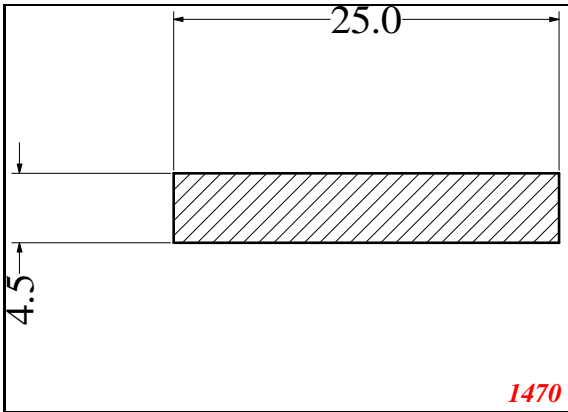
*Strip*



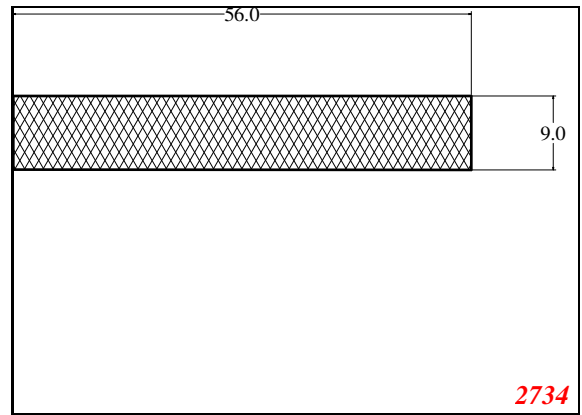
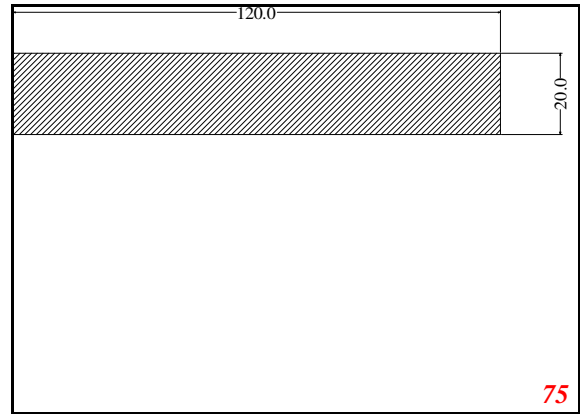
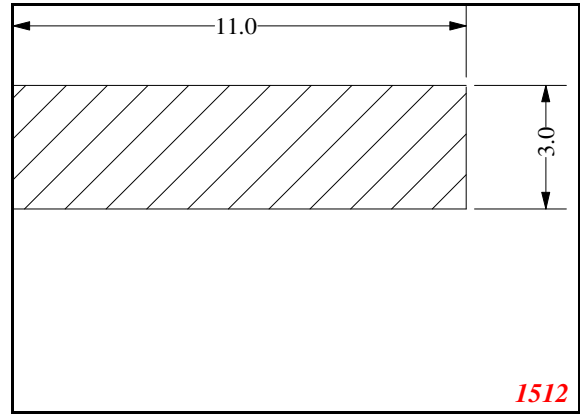
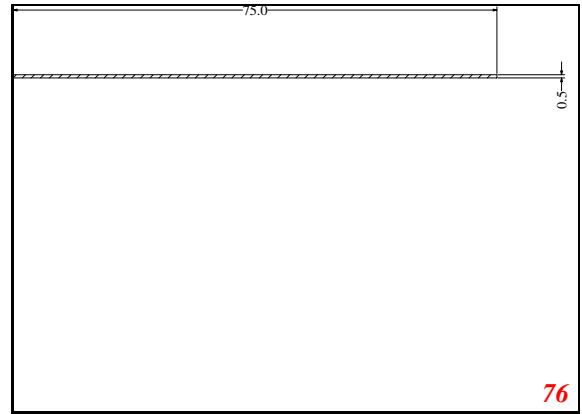
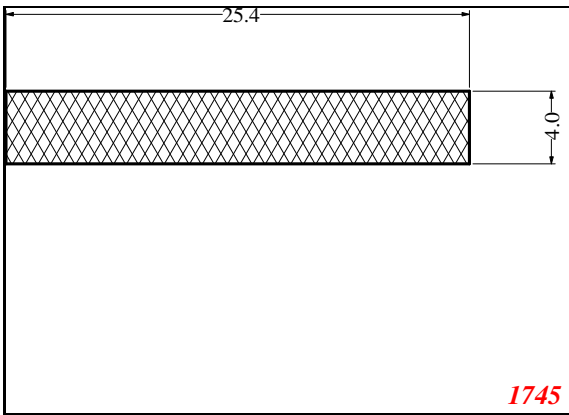
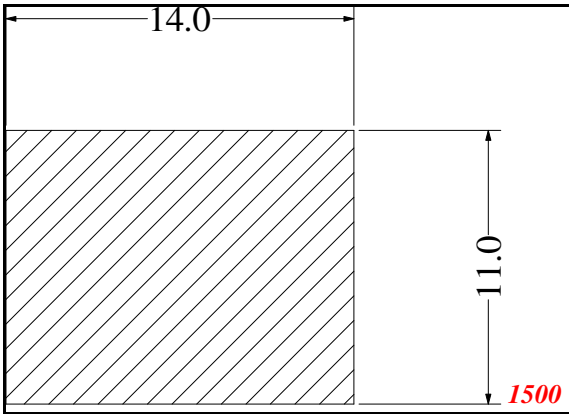
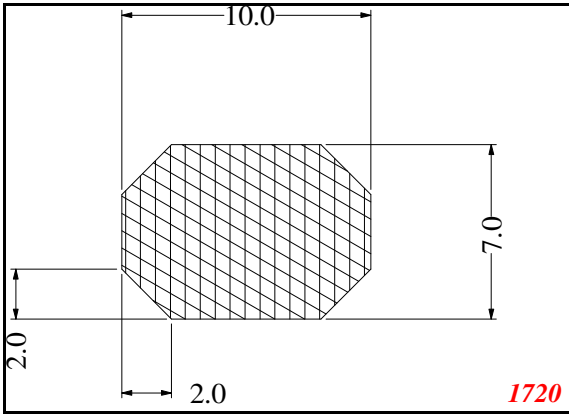
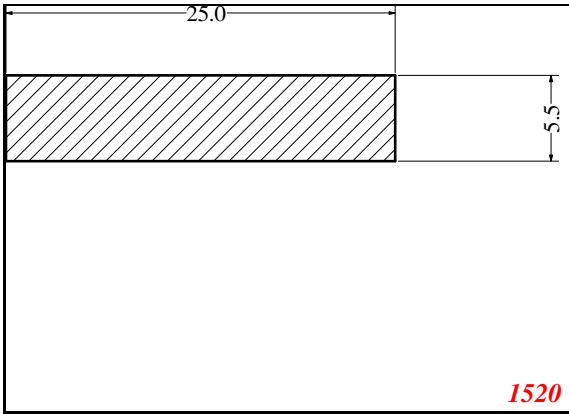
Strip



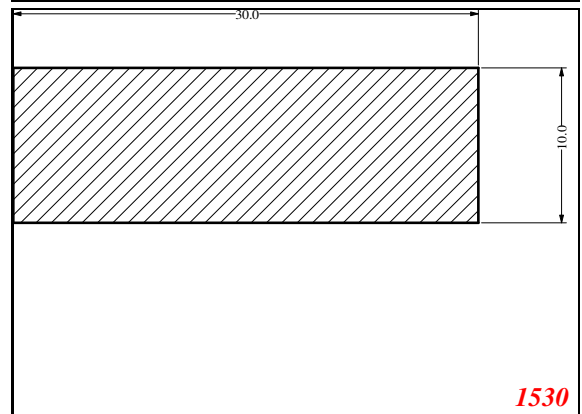
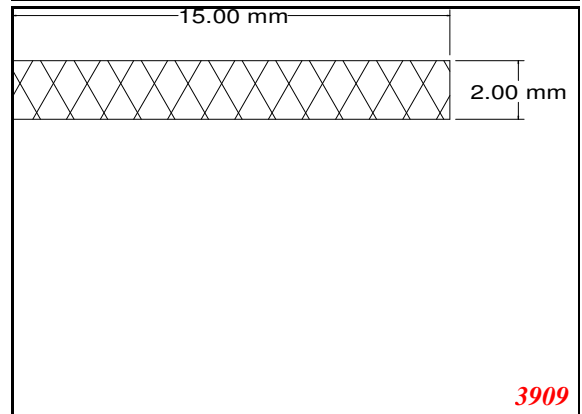
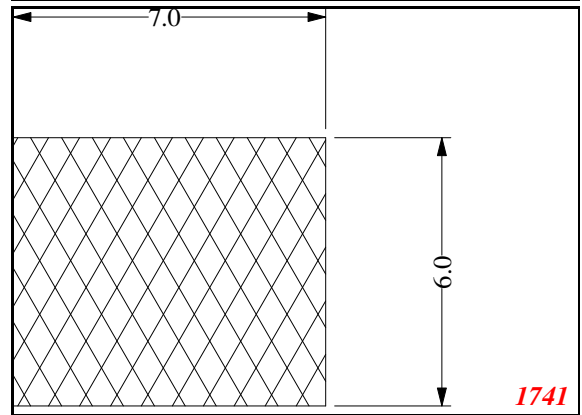
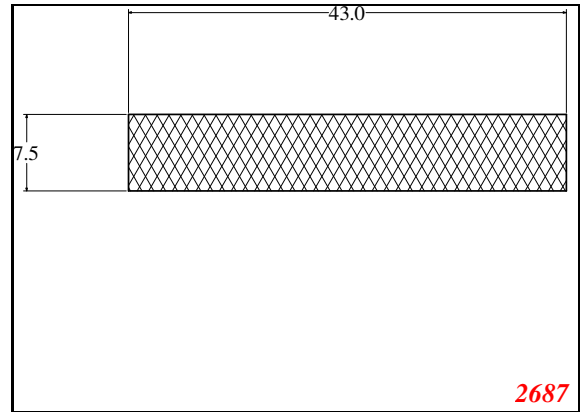
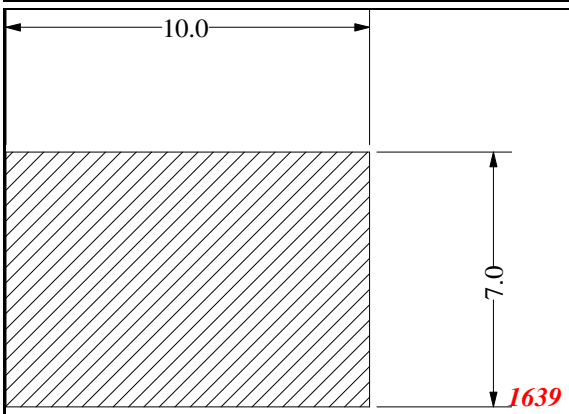
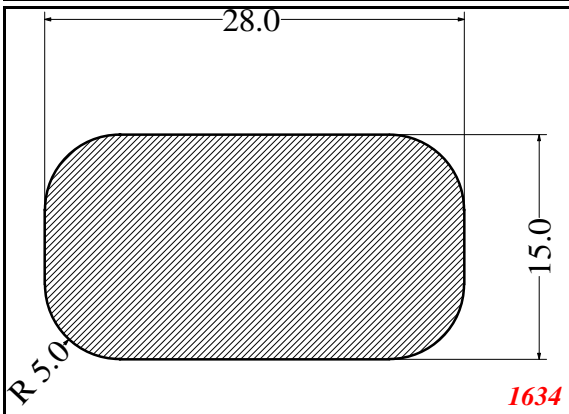
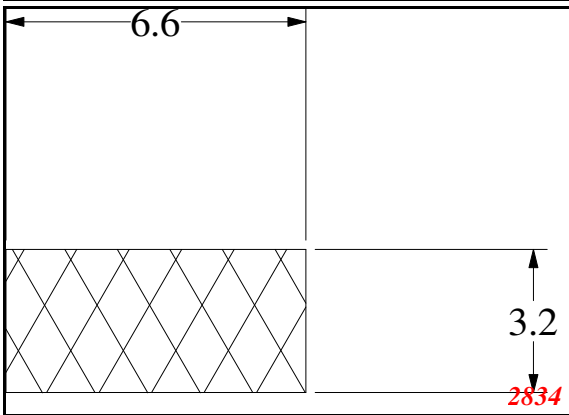
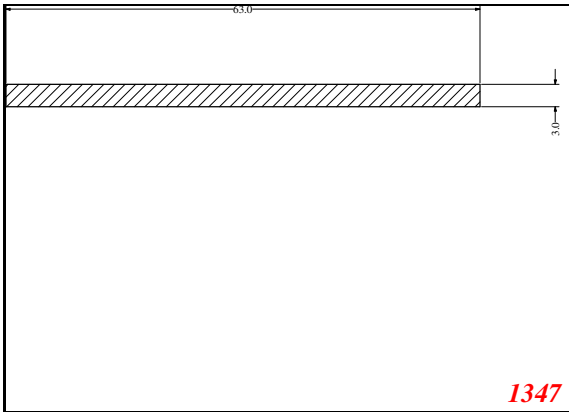
Strip



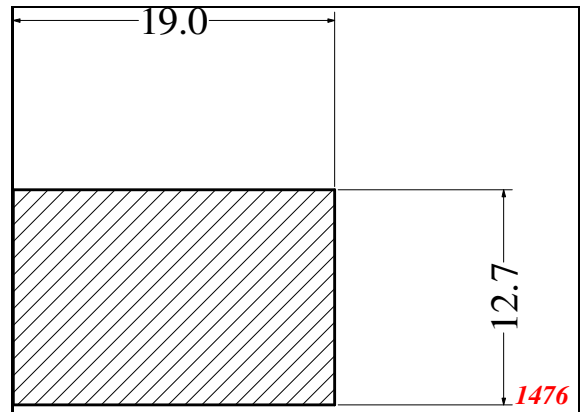
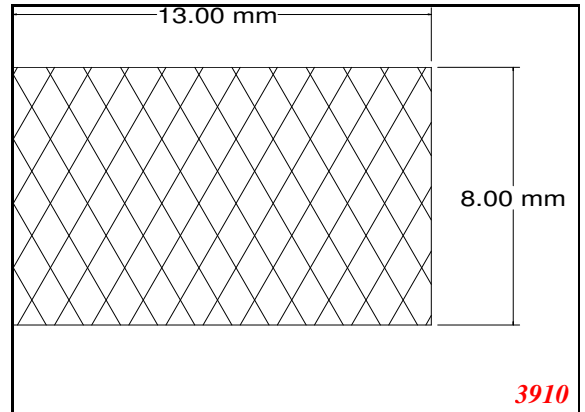
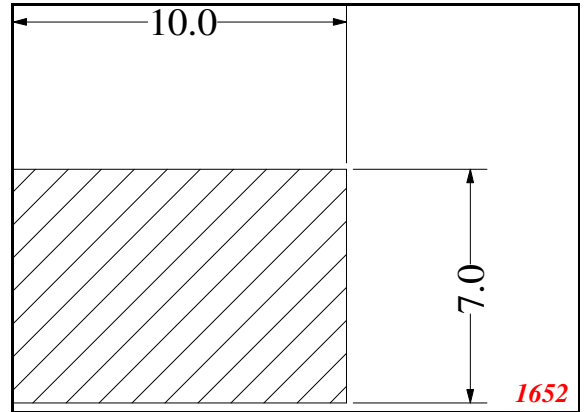
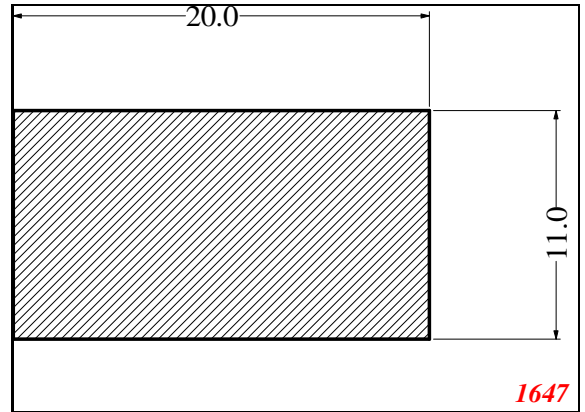
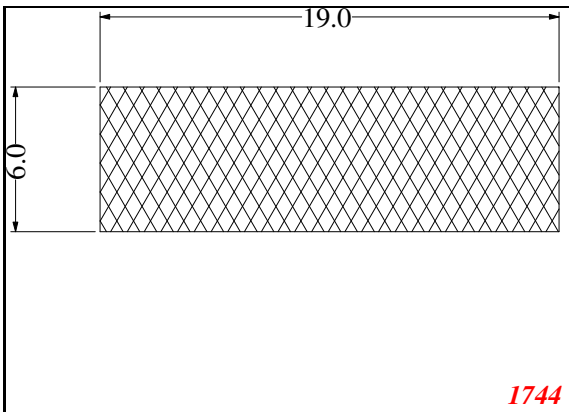
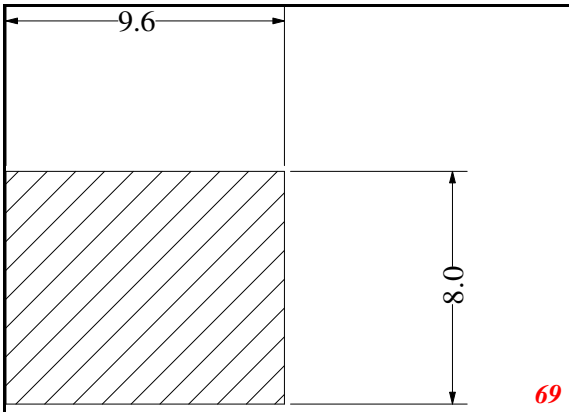
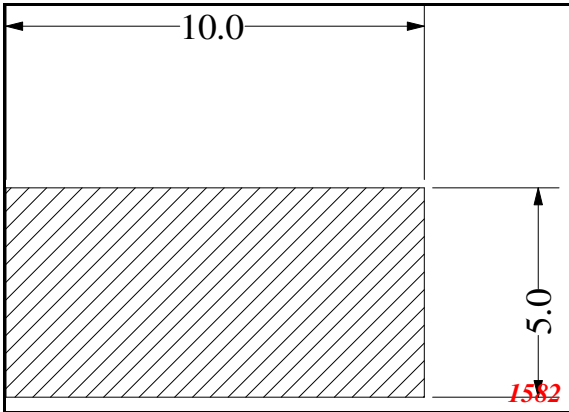
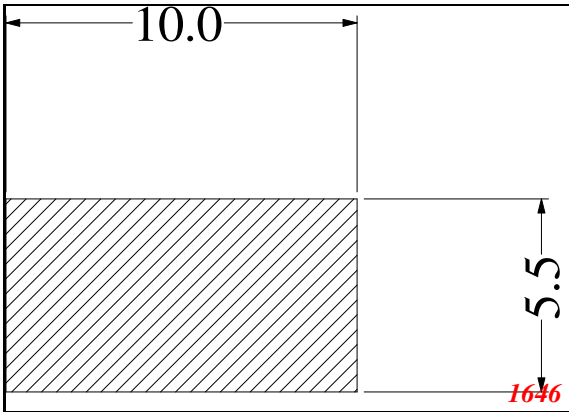
Strip



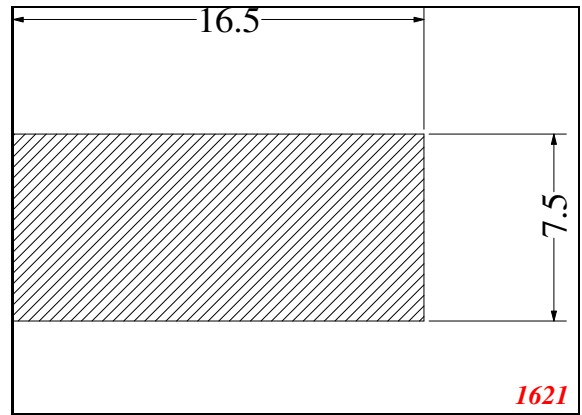
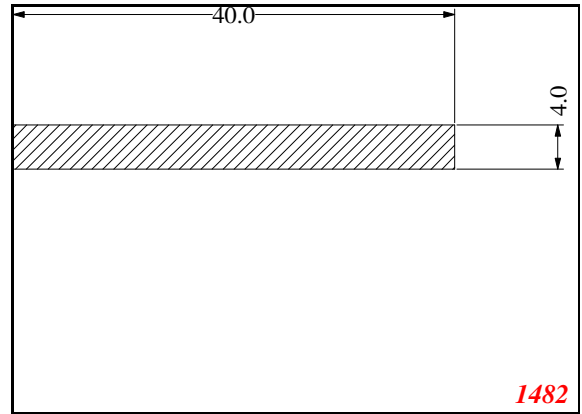
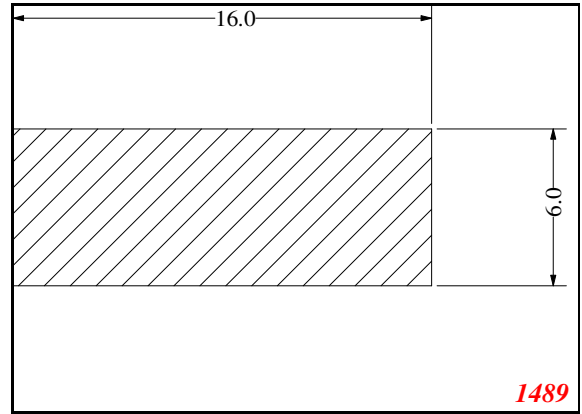
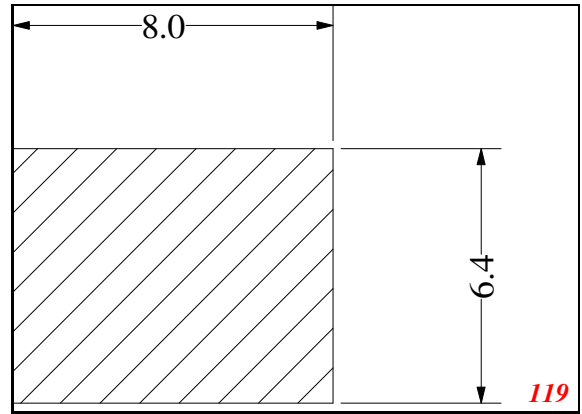
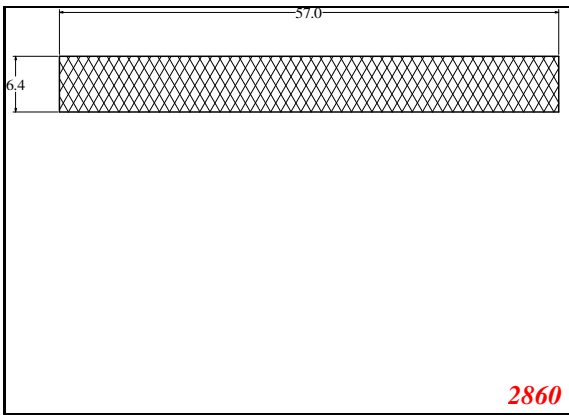
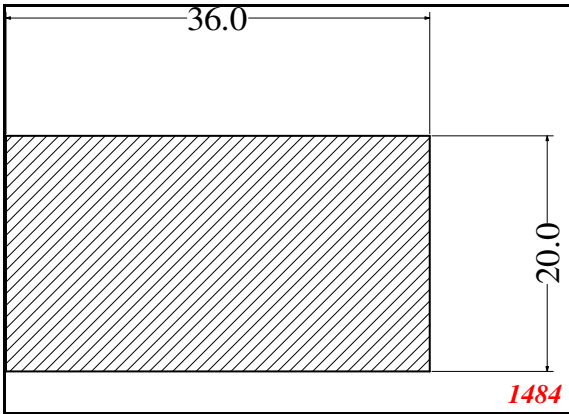
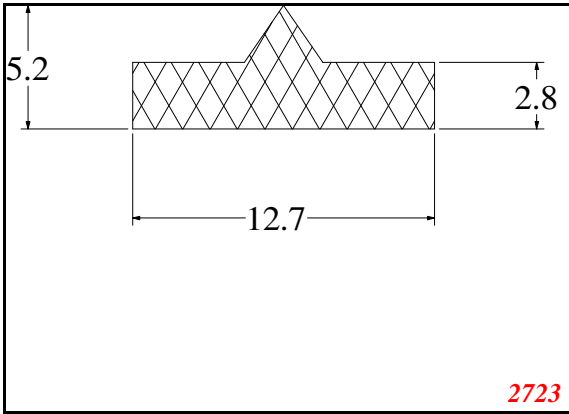
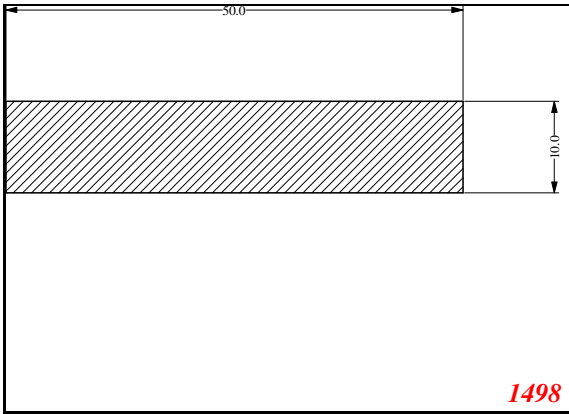
*Strip*



Strip



*Strip*



Strip

