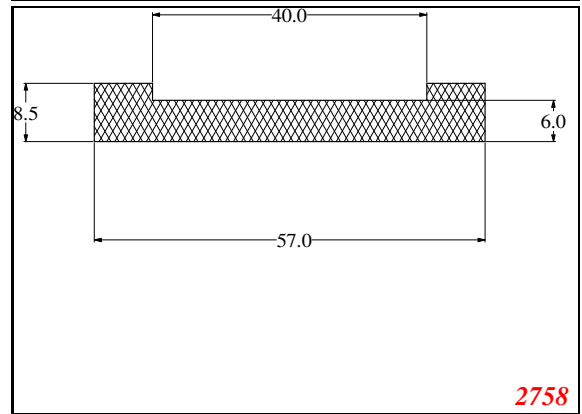
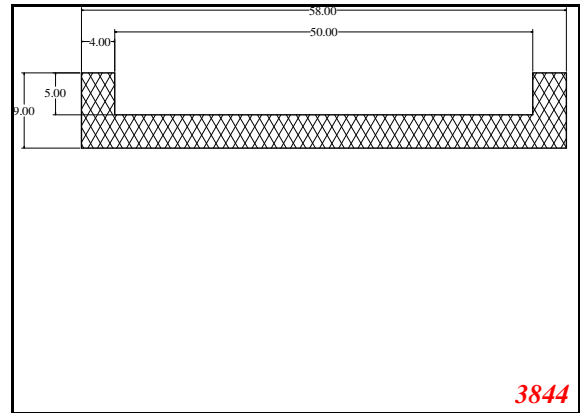
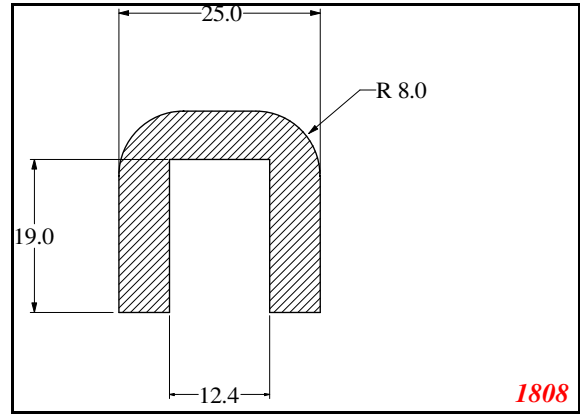
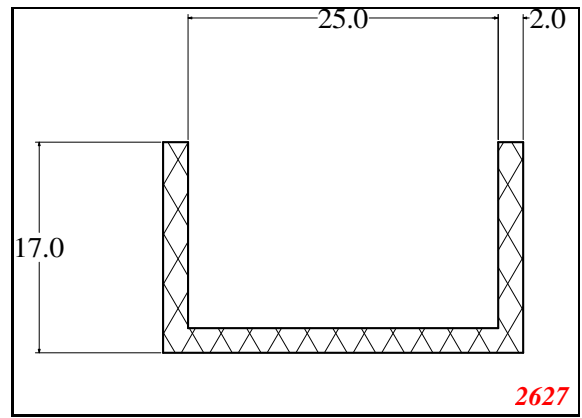
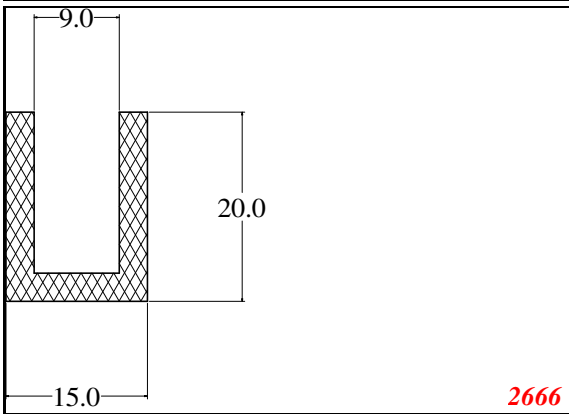
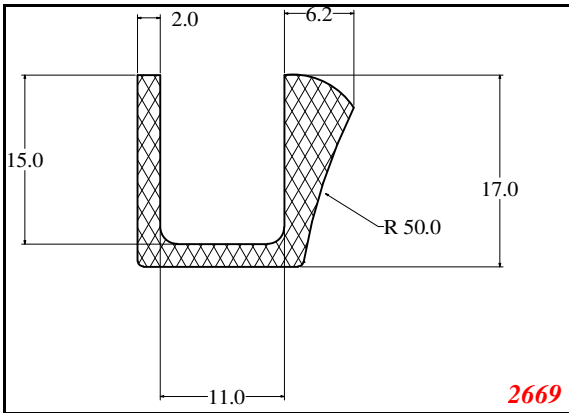
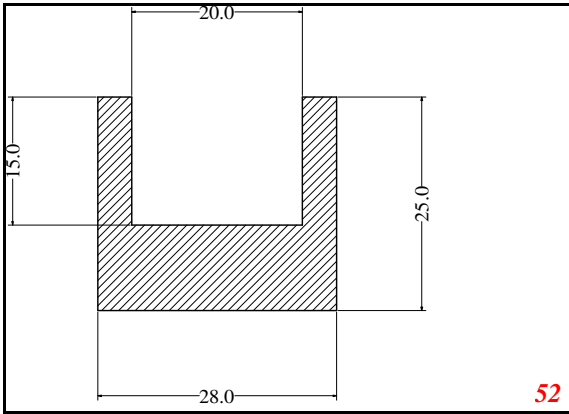
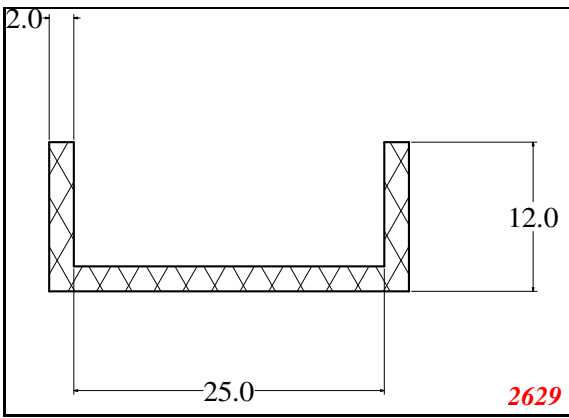
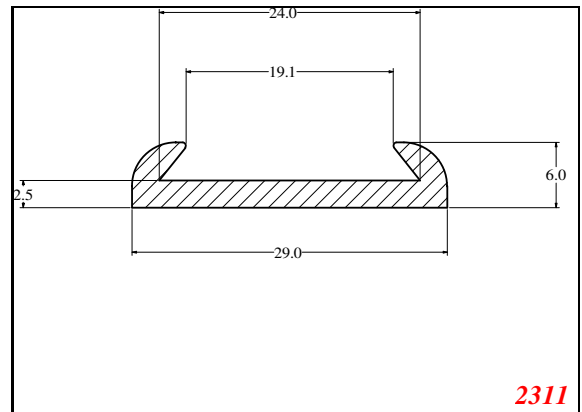
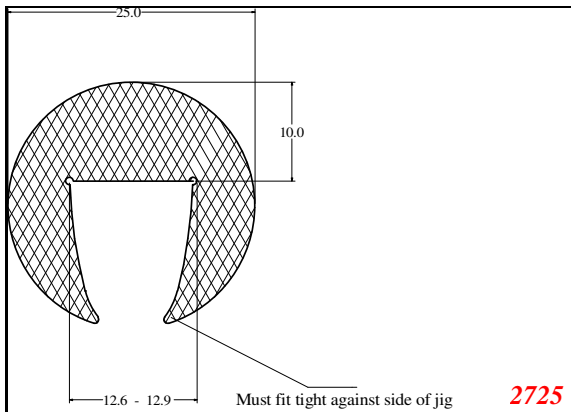
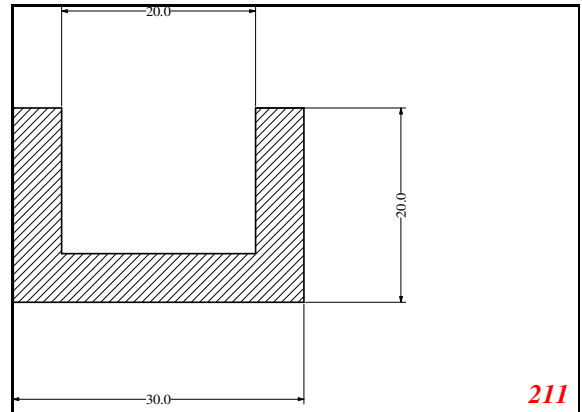
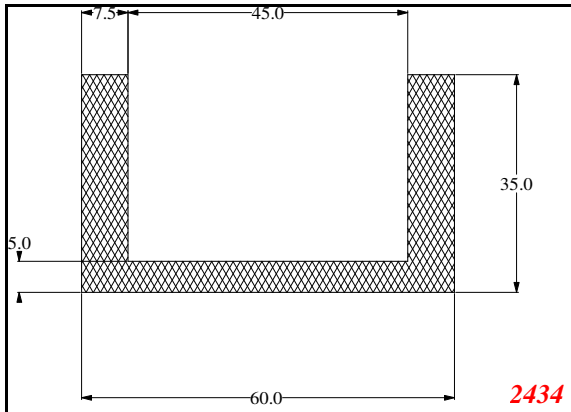
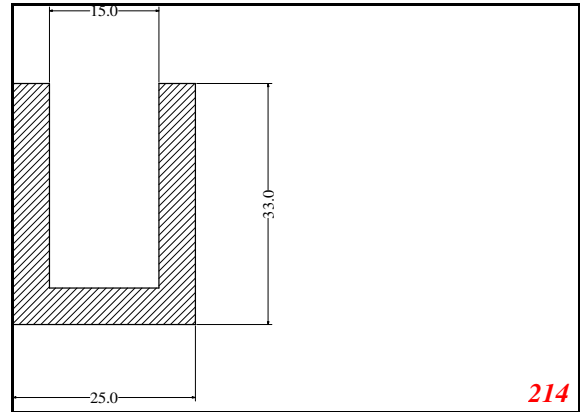
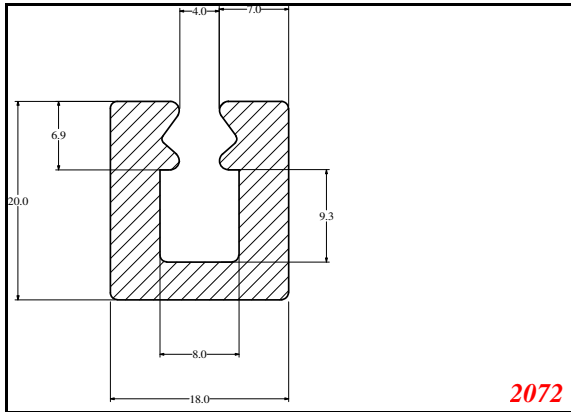
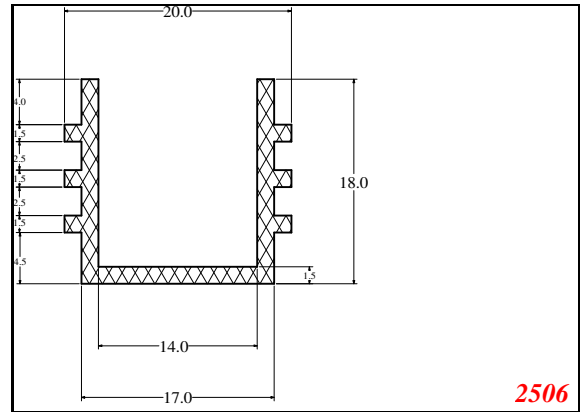
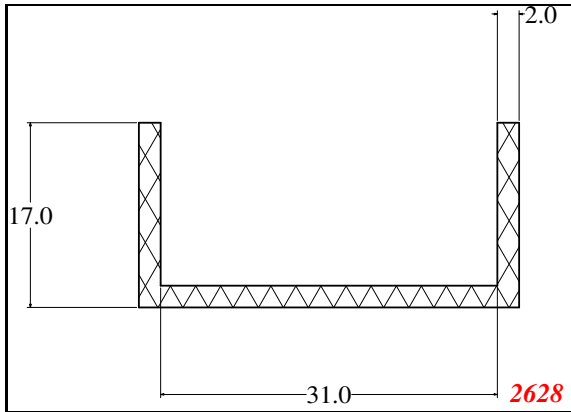


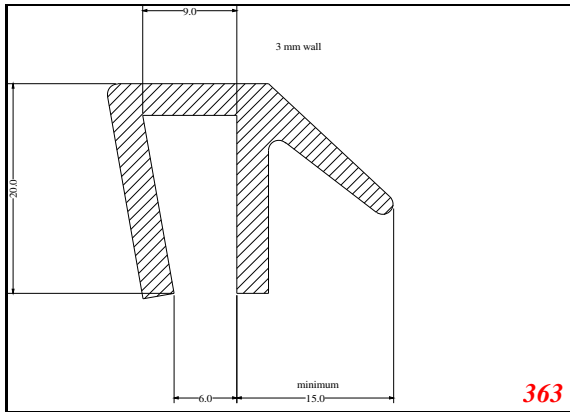
U-Large



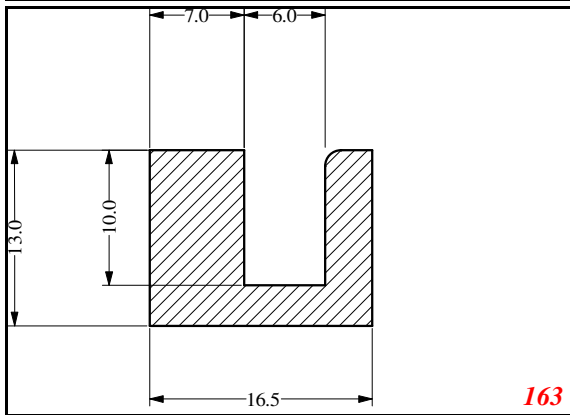
U-Large



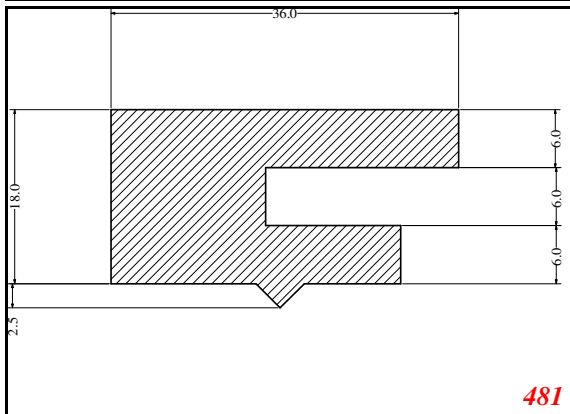
U-Large



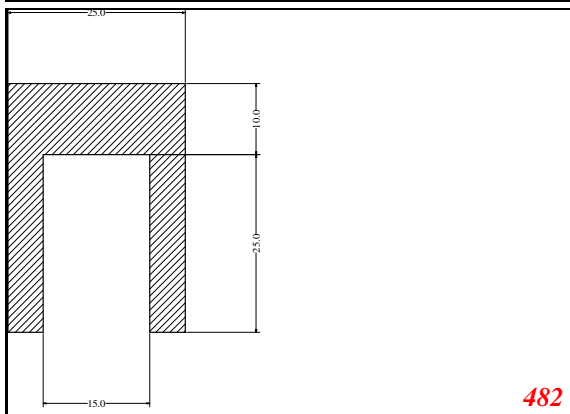
363



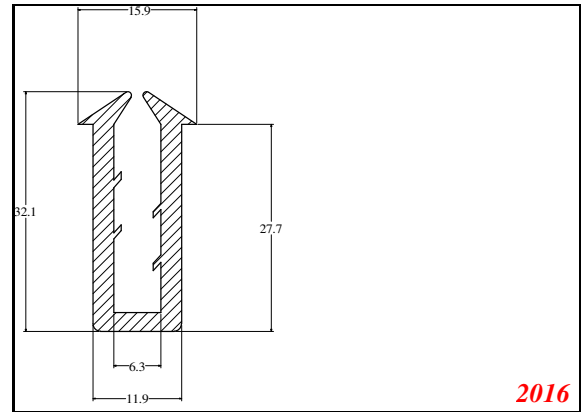
163



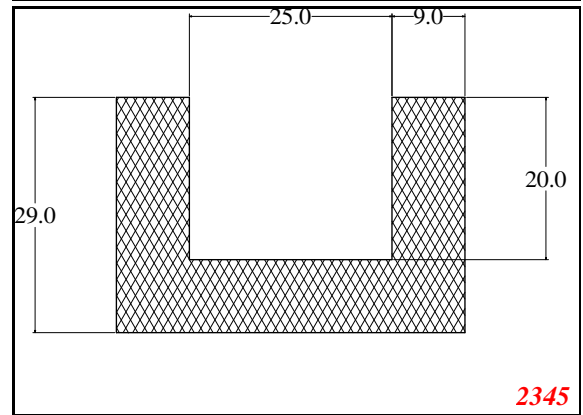
481



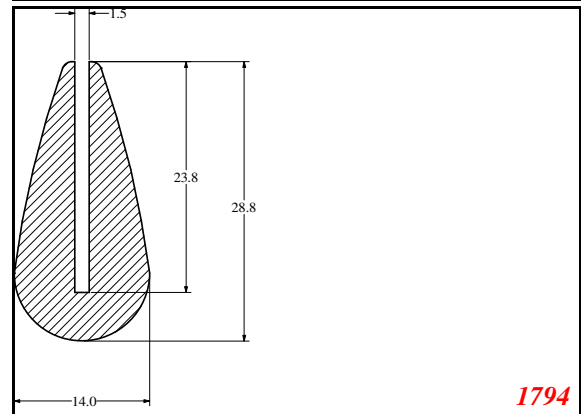
482



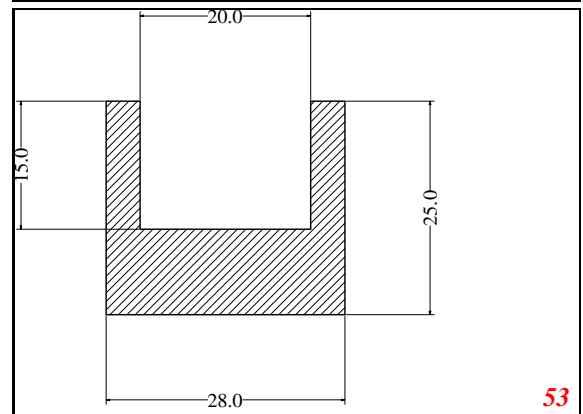
2016



2345

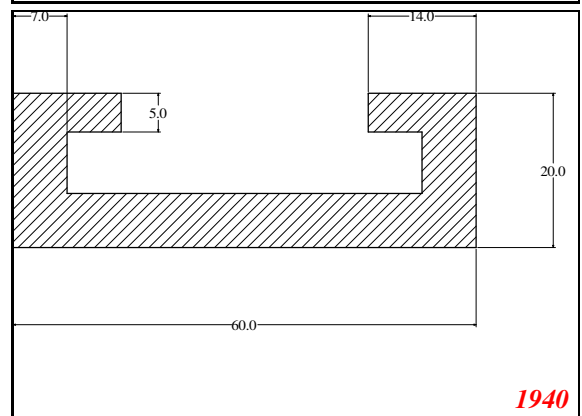
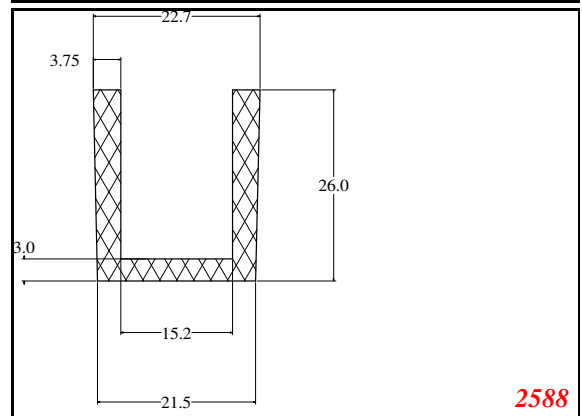
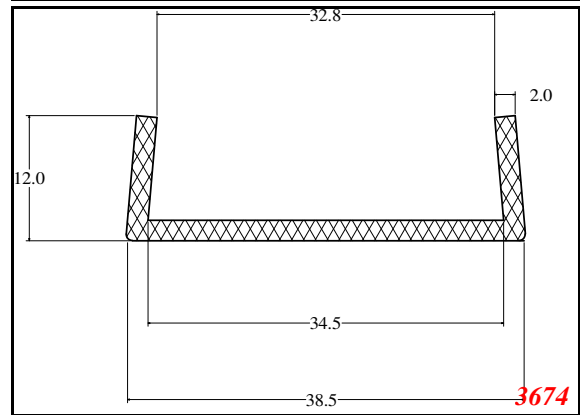
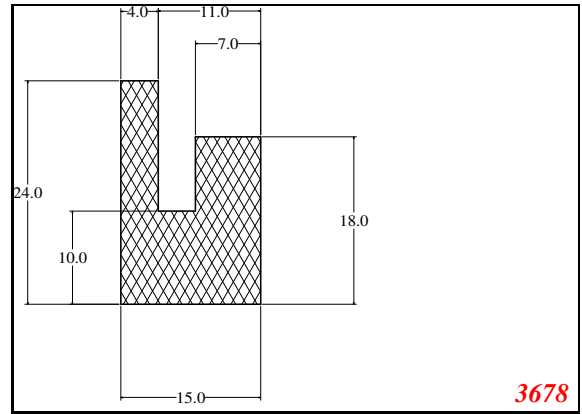
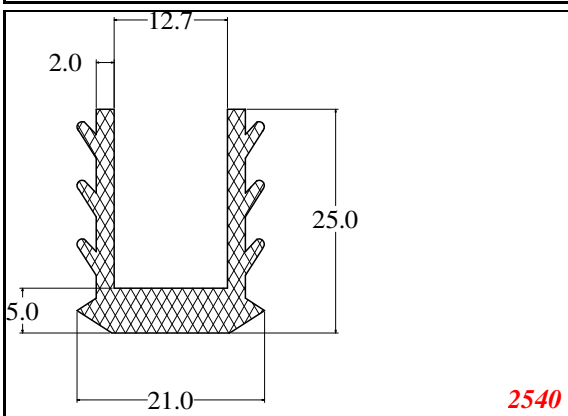
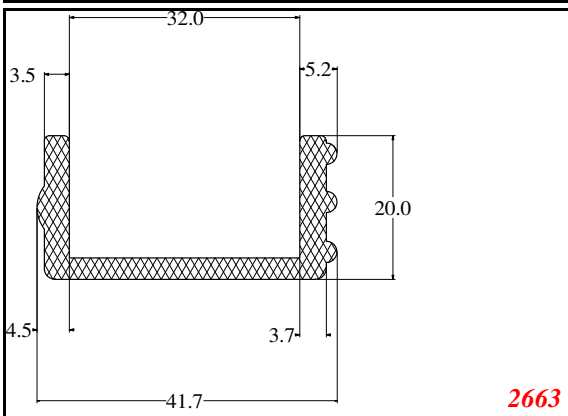
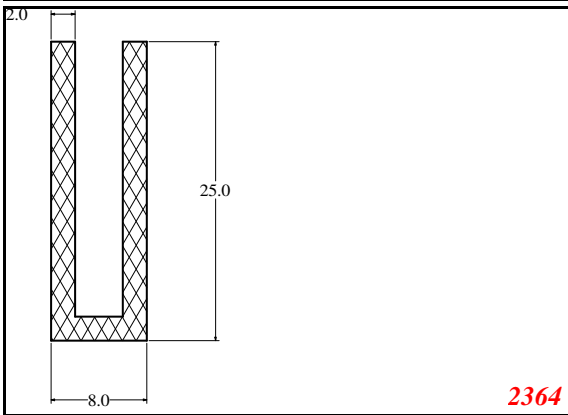
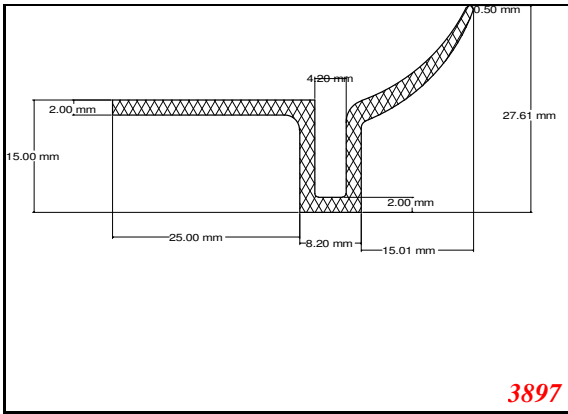


1794

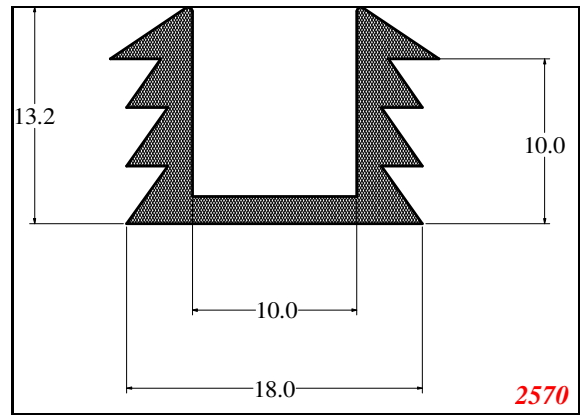
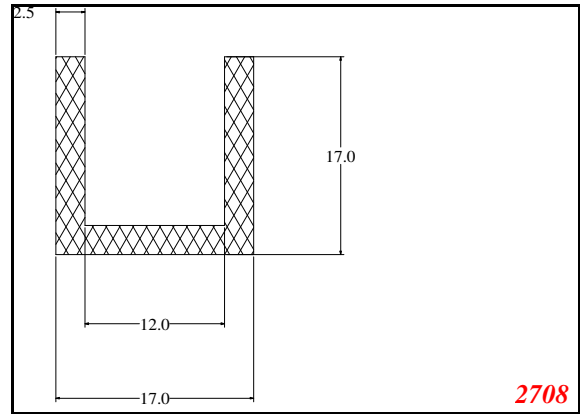
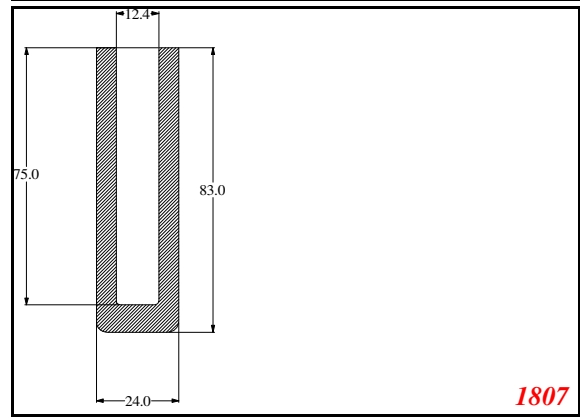
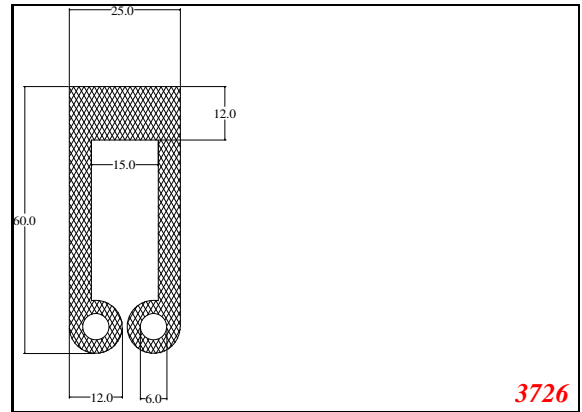
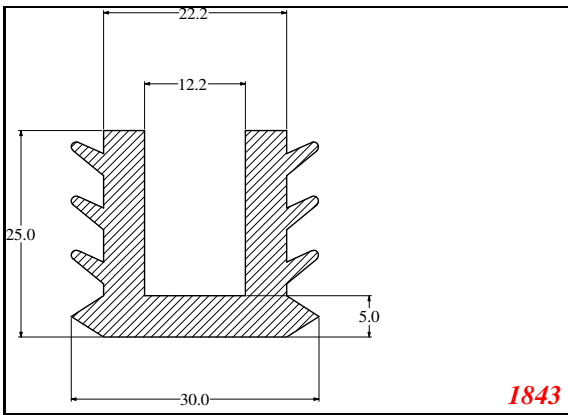
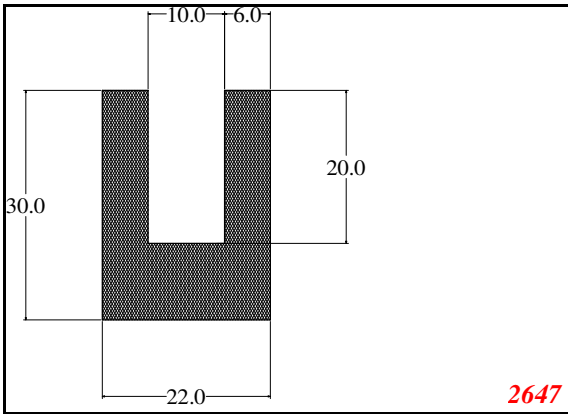
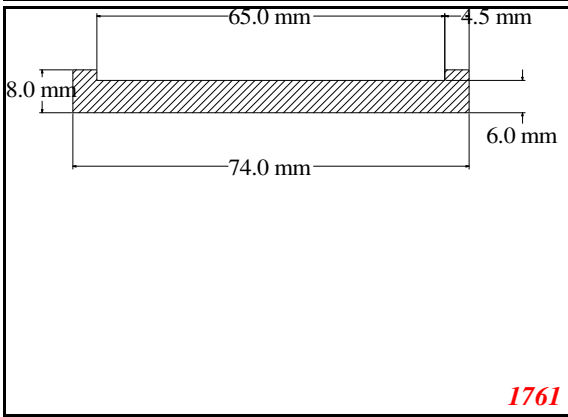
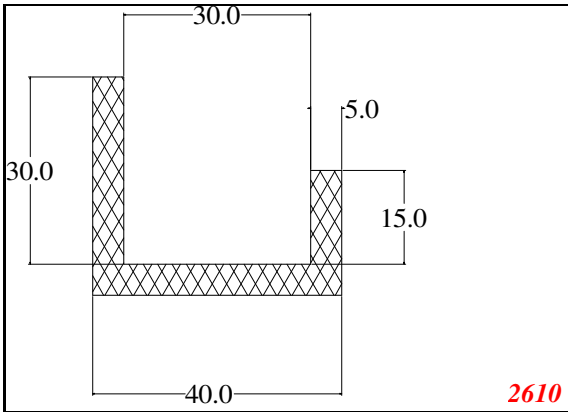


53

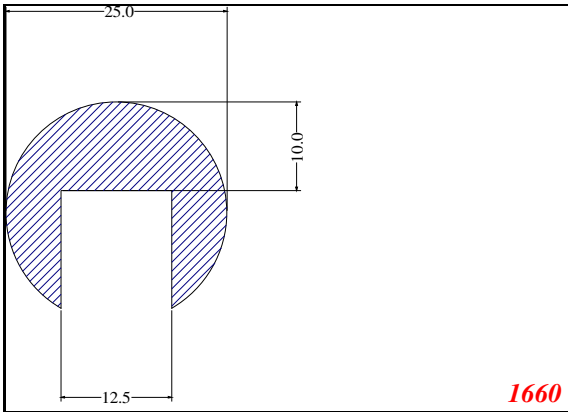
U-Large



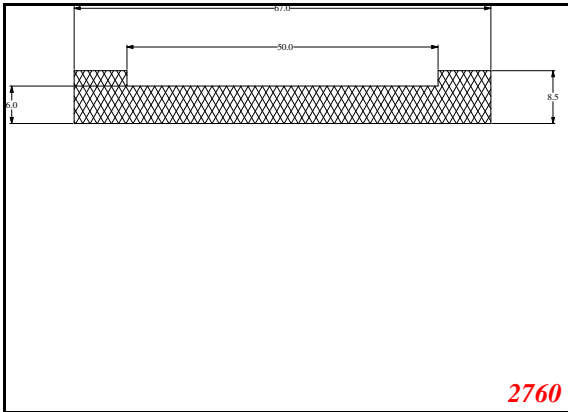
U-Large



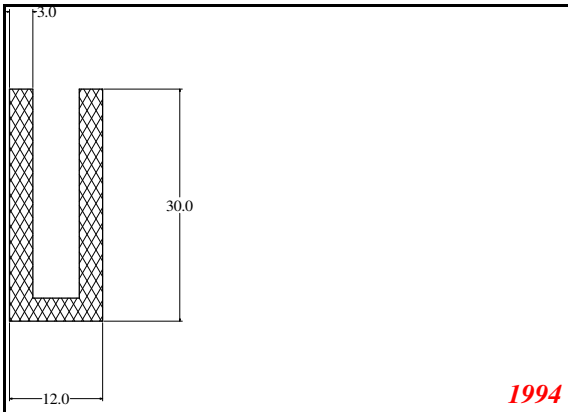
U-Large



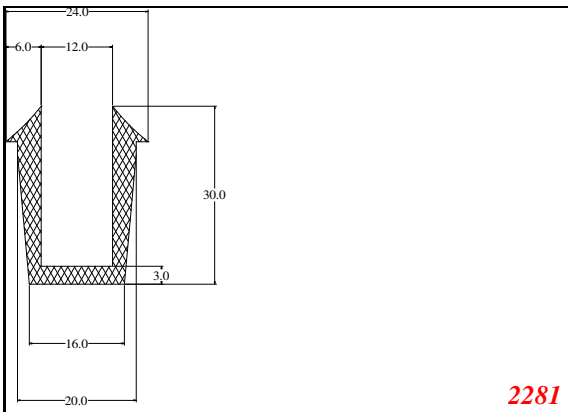
1660



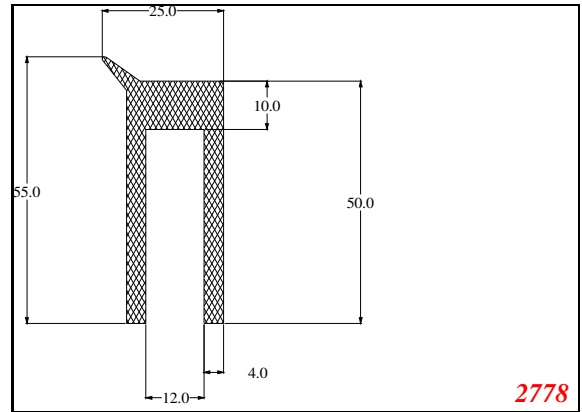
2760



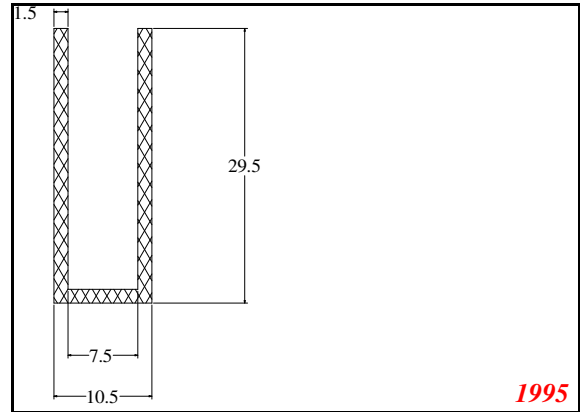
1994



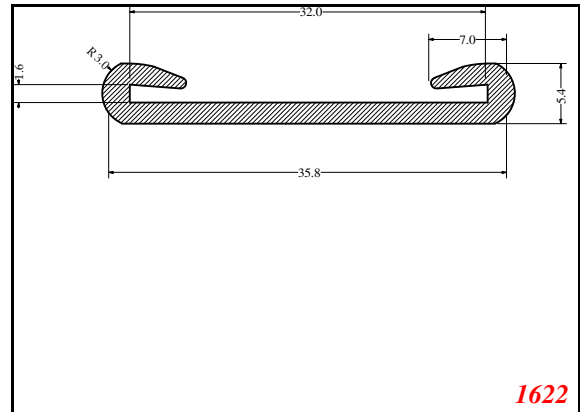
2281



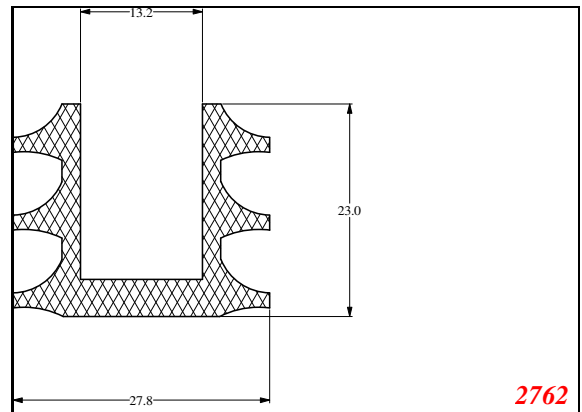
2778



1995

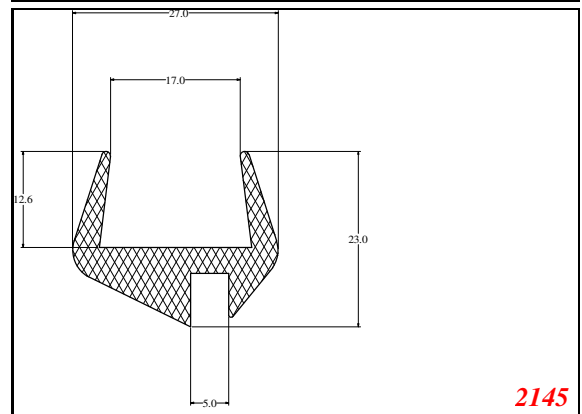
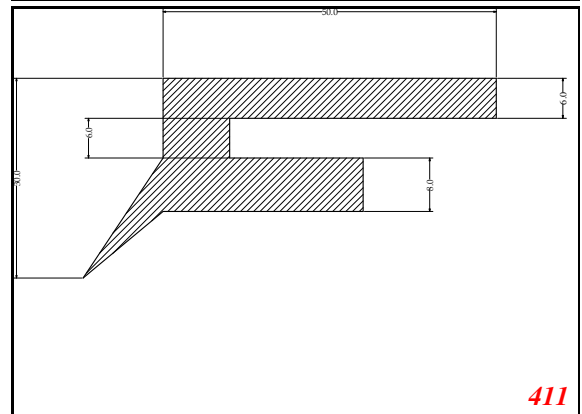
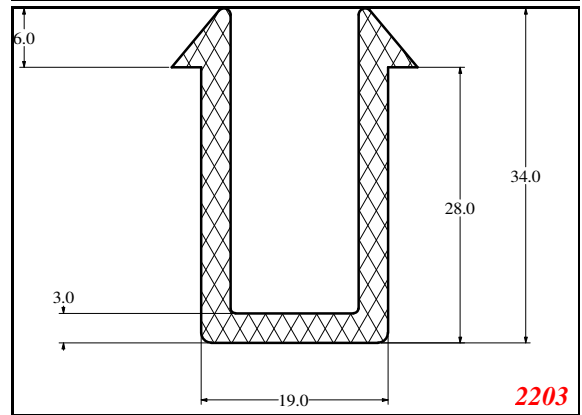
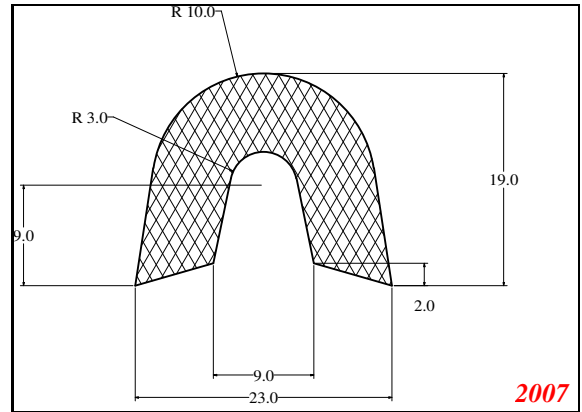
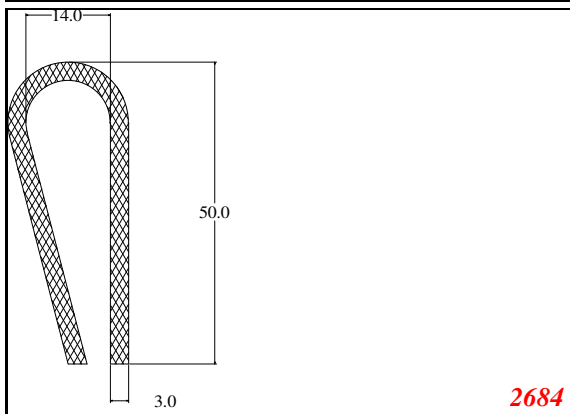
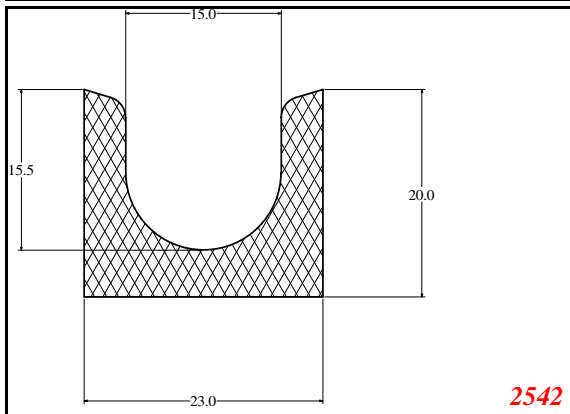
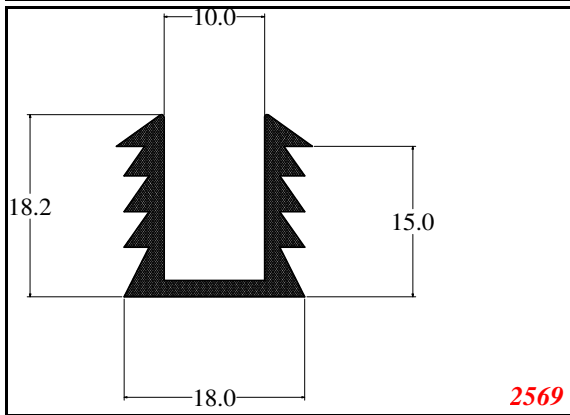
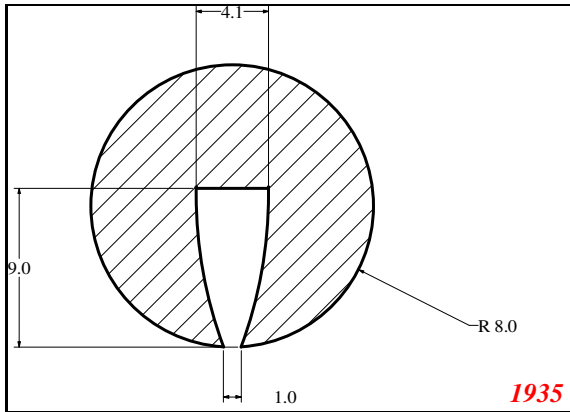


1622

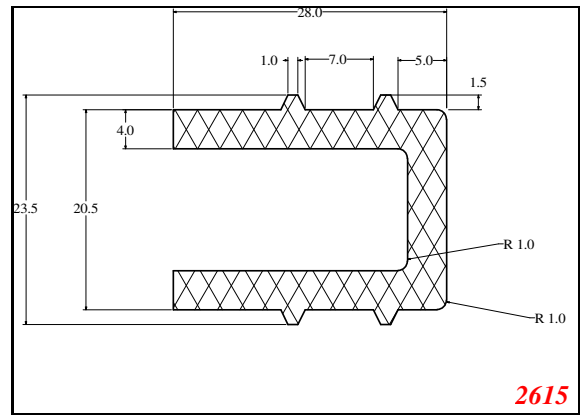
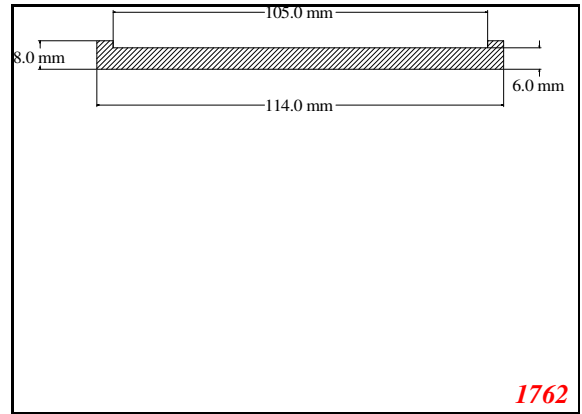
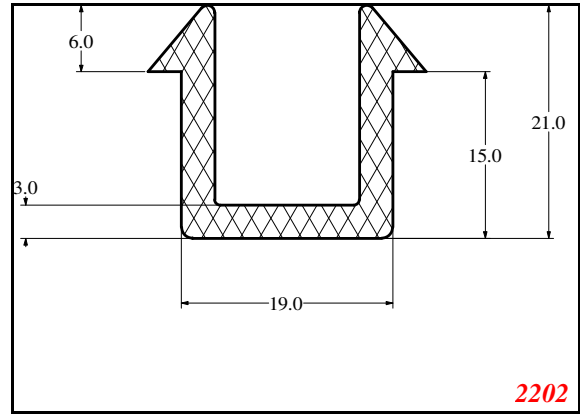
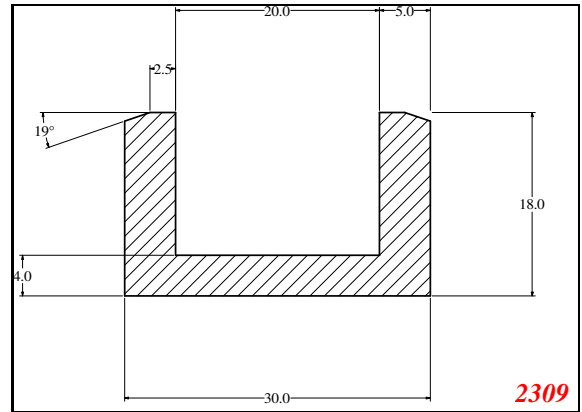
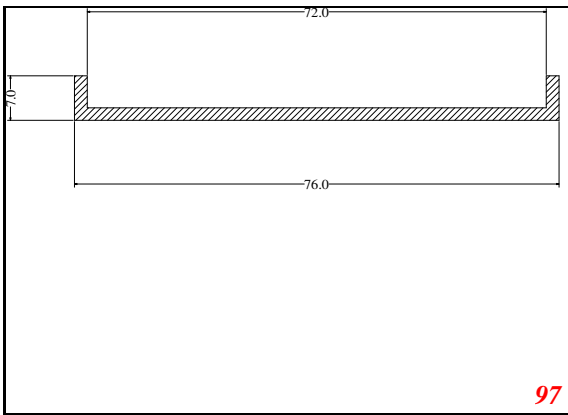
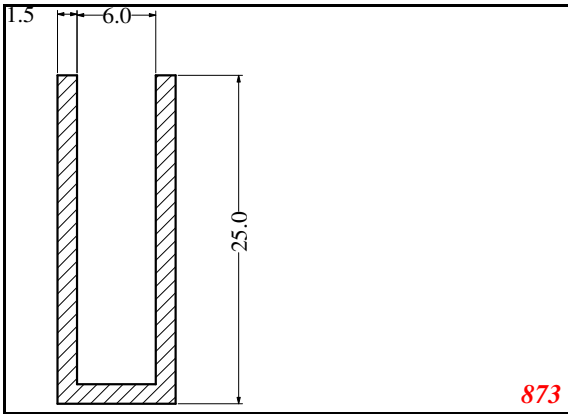
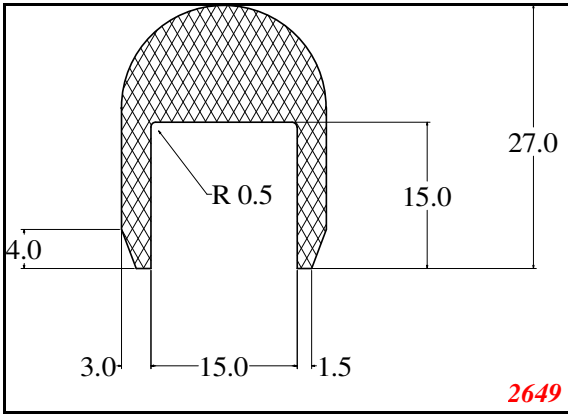
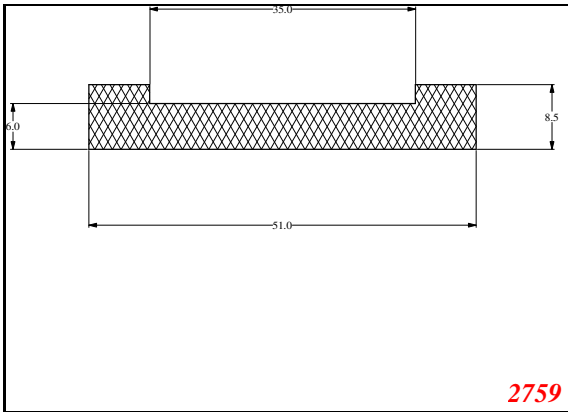


2762

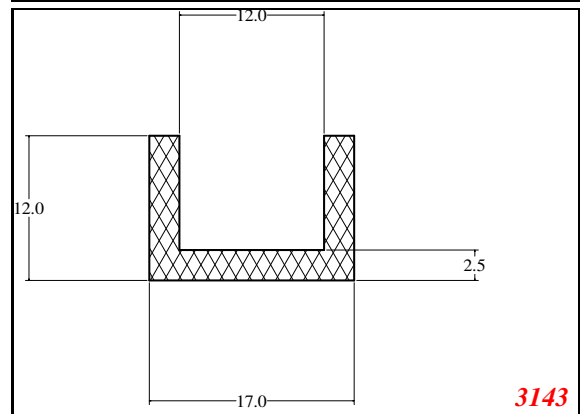
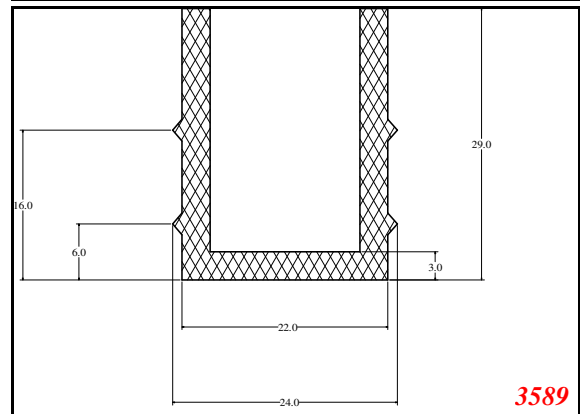
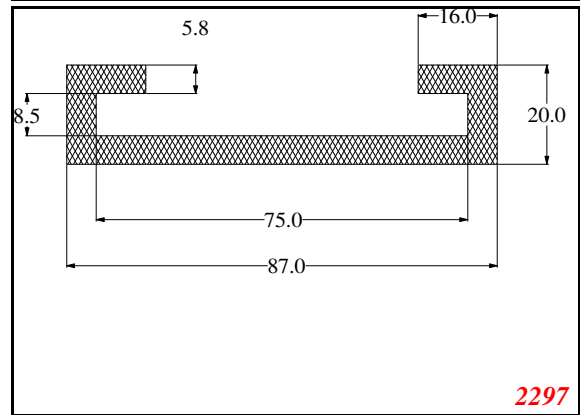
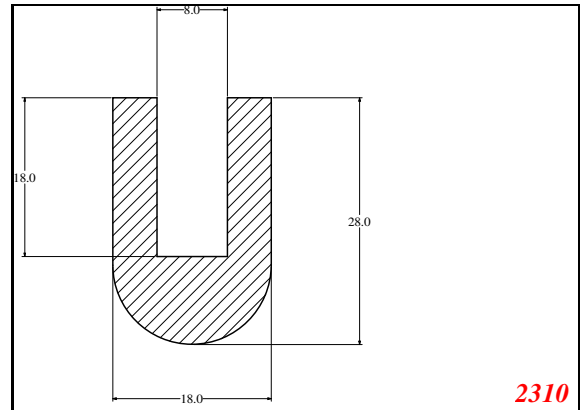
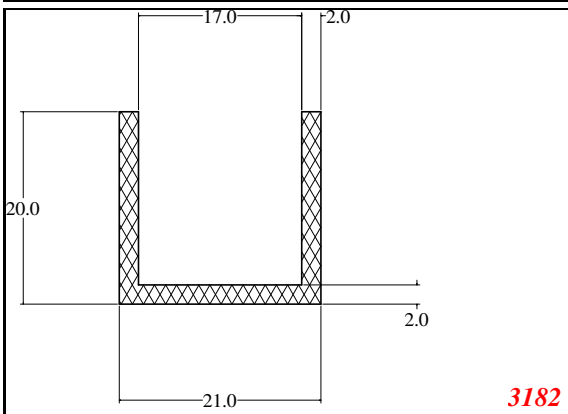
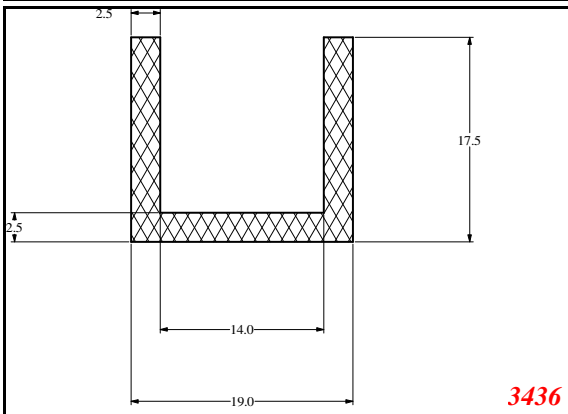
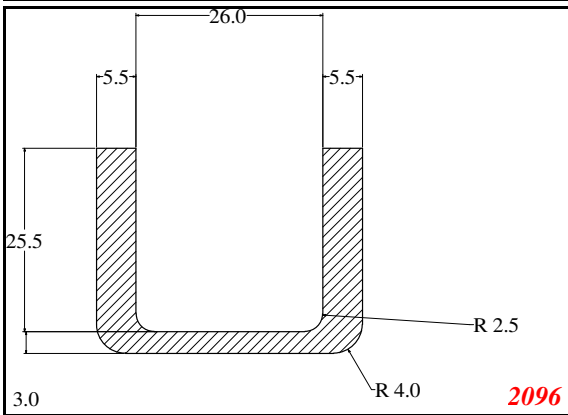
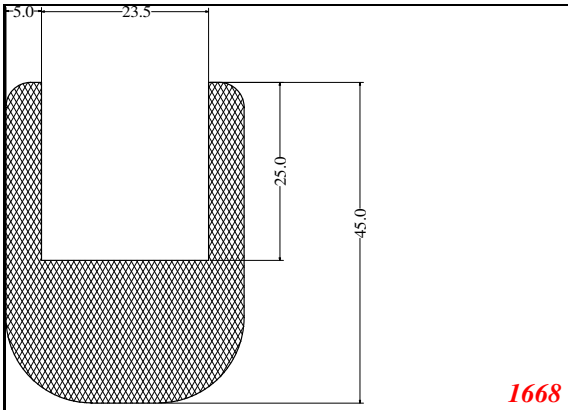
U-Large



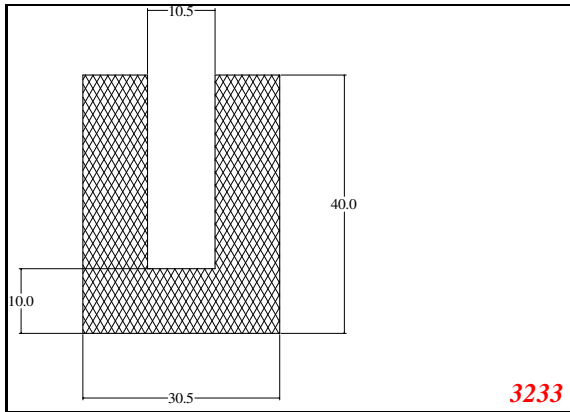
U-Large



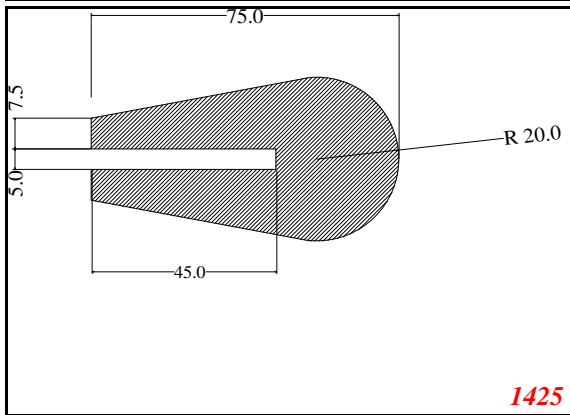
U-Large



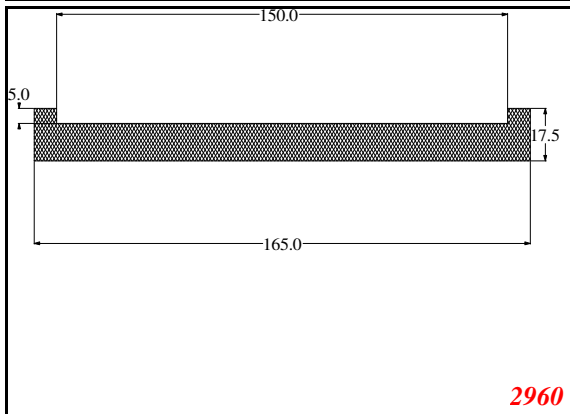
U-Large



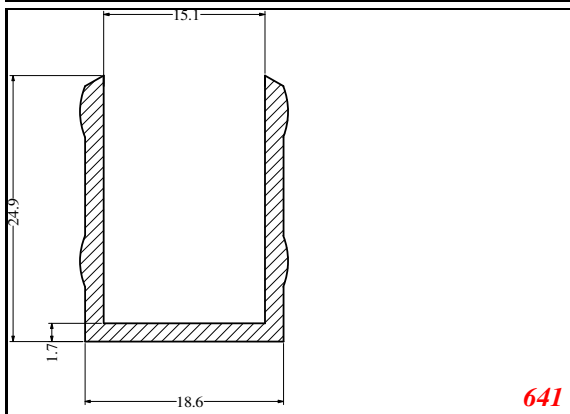
3233



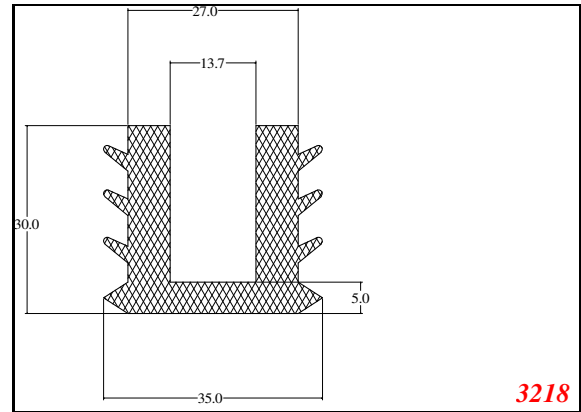
1425



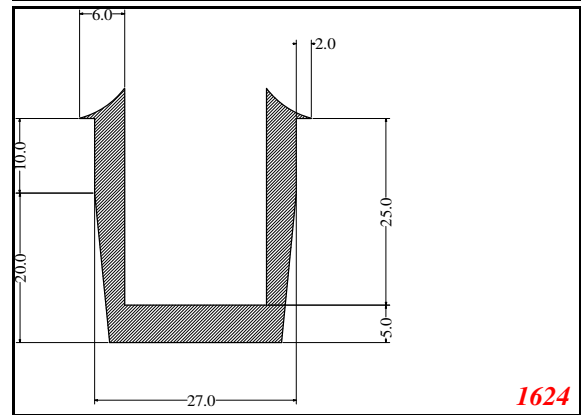
2960



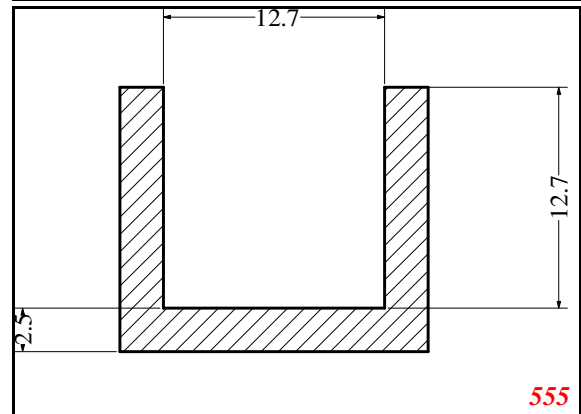
641



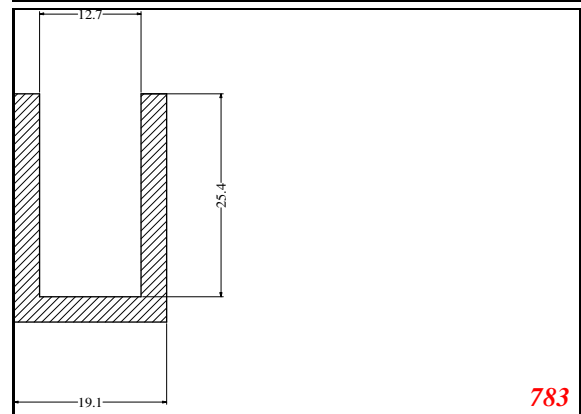
3218



1624

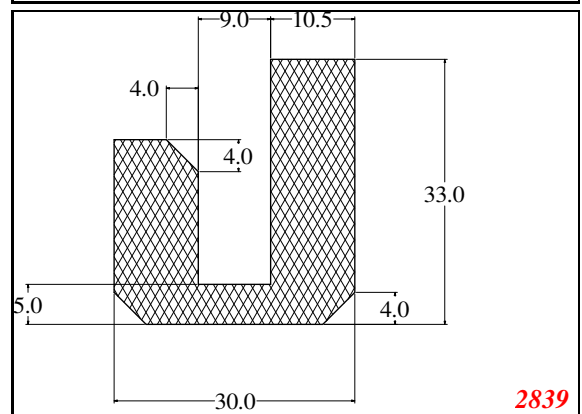
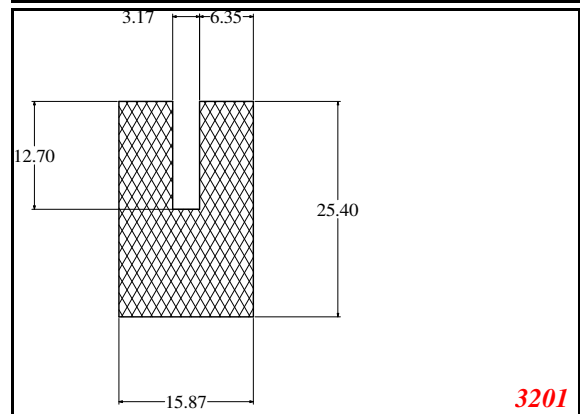
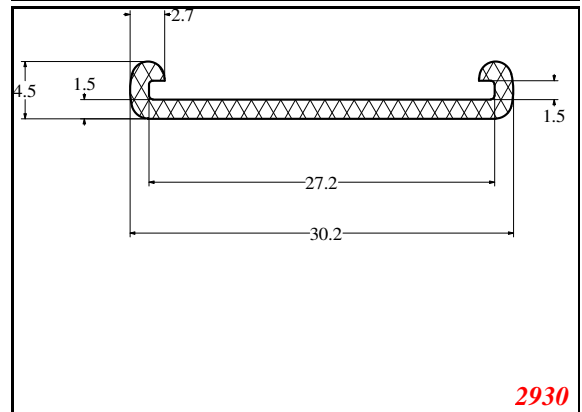
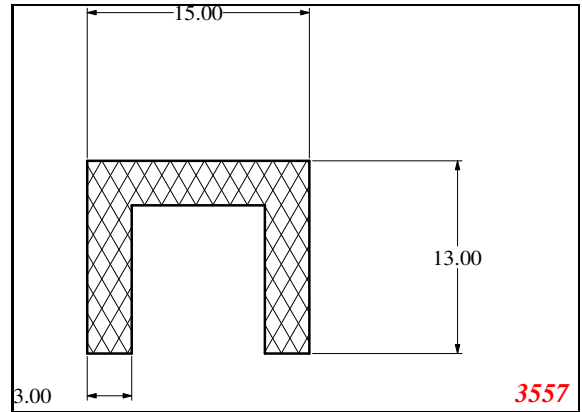
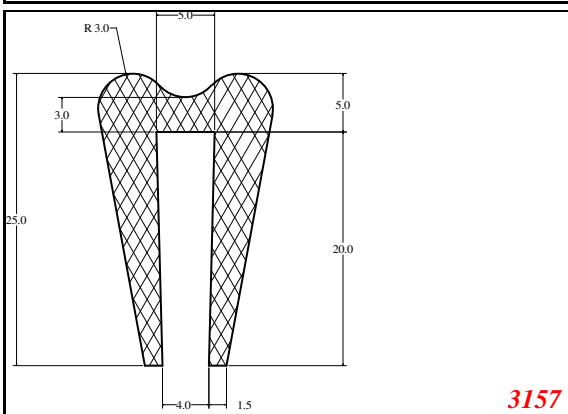
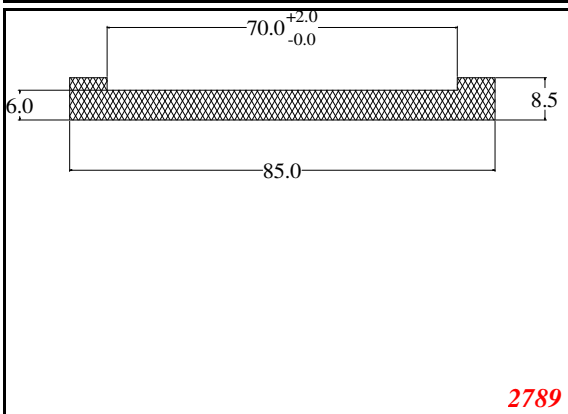
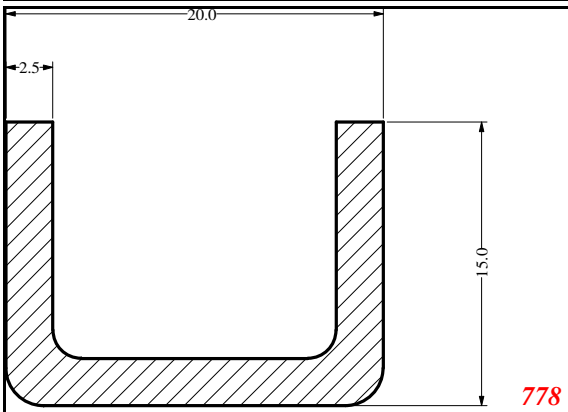
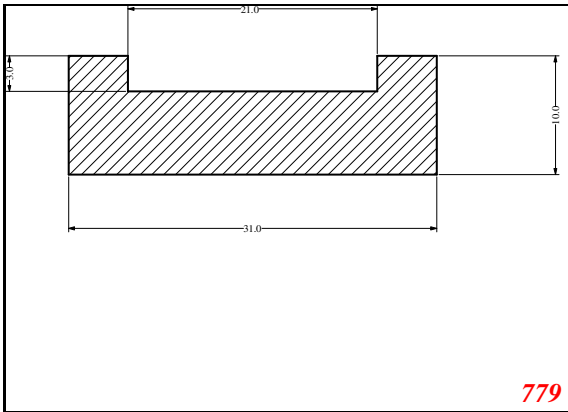


555

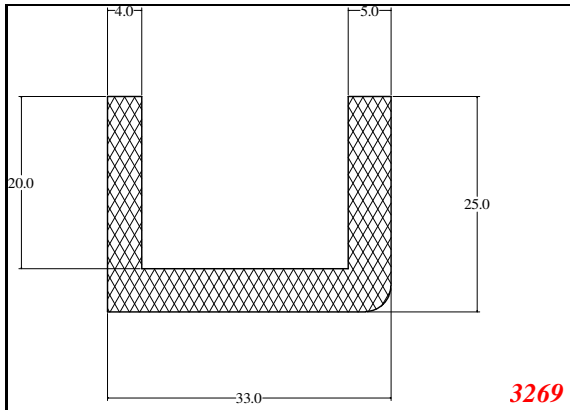


783

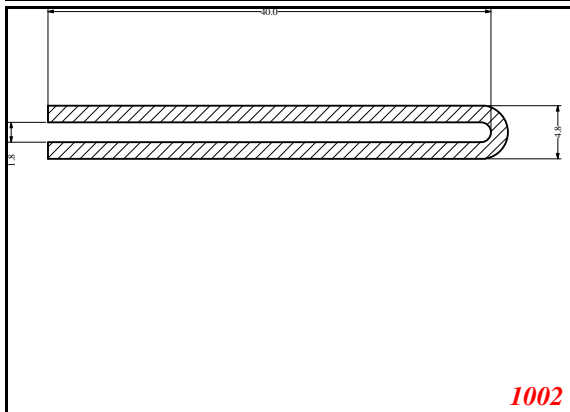
U-Large



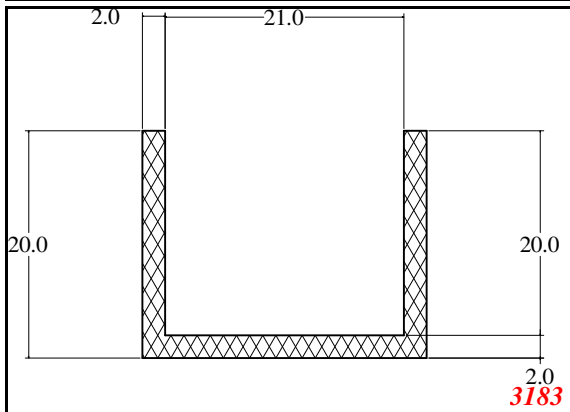
U-Large



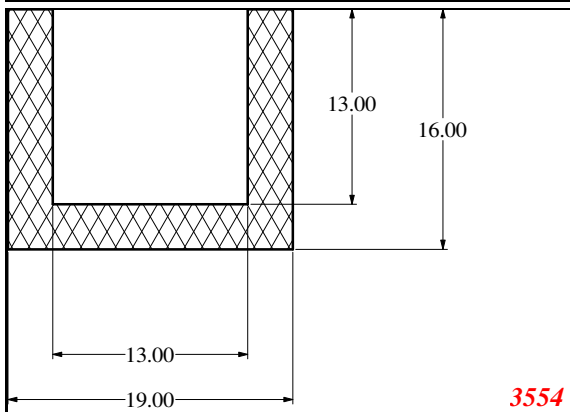
3269



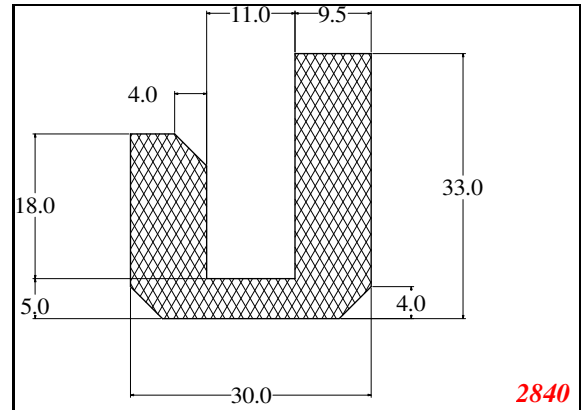
1002



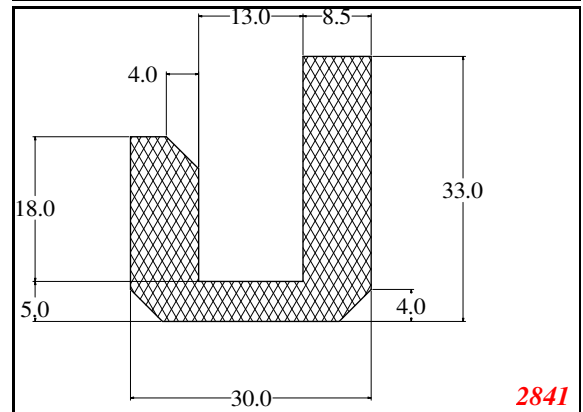
3183



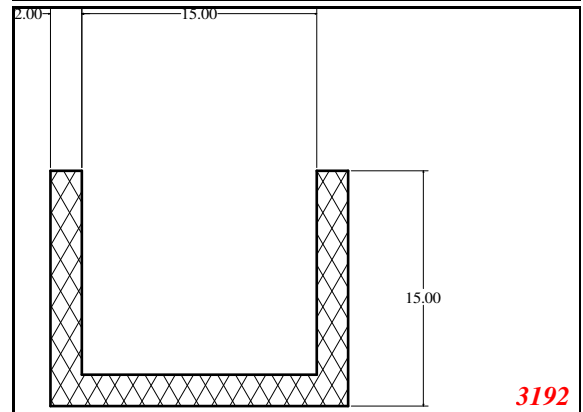
3554



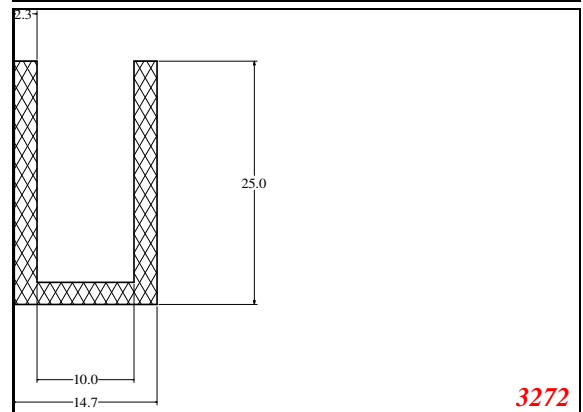
2840



2841

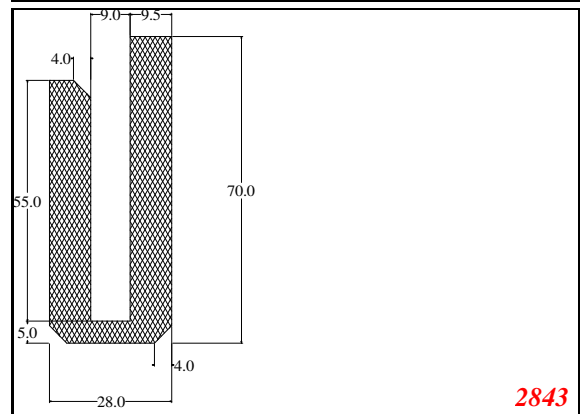
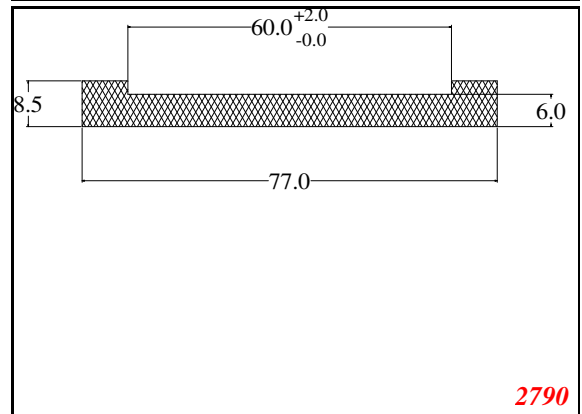
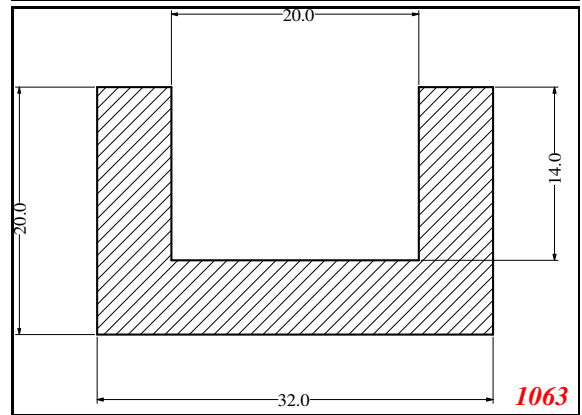
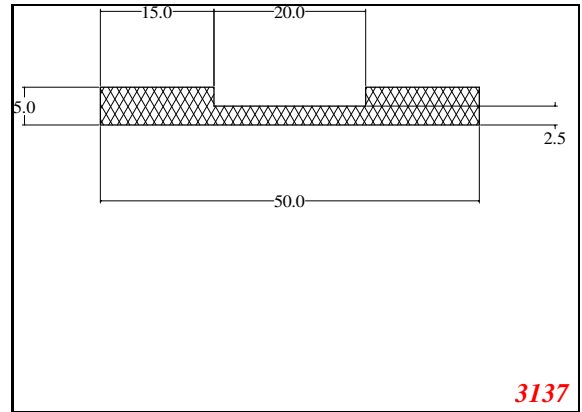
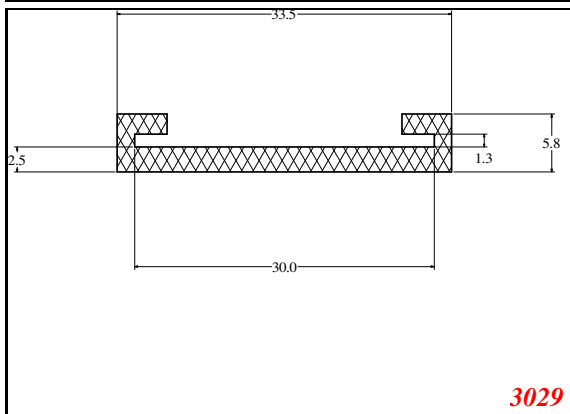
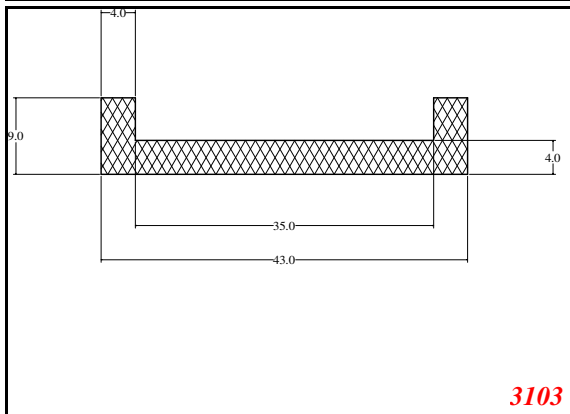
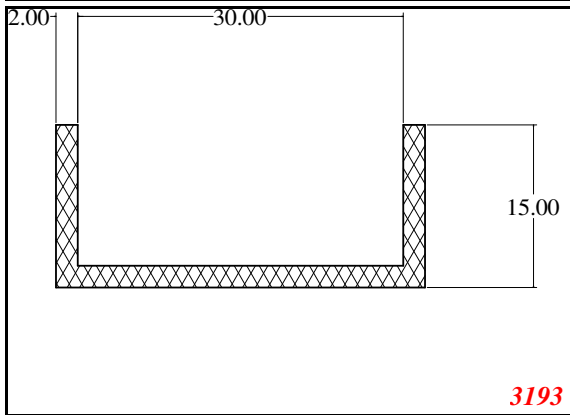
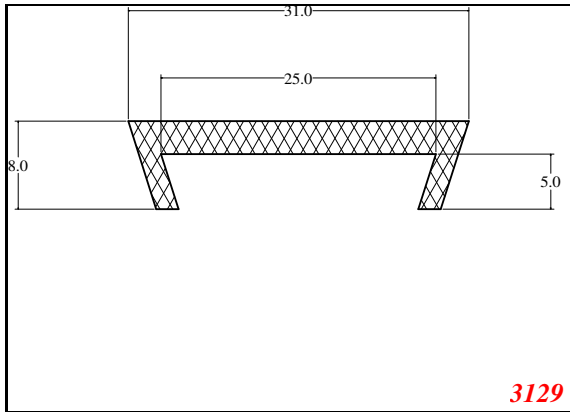


3192

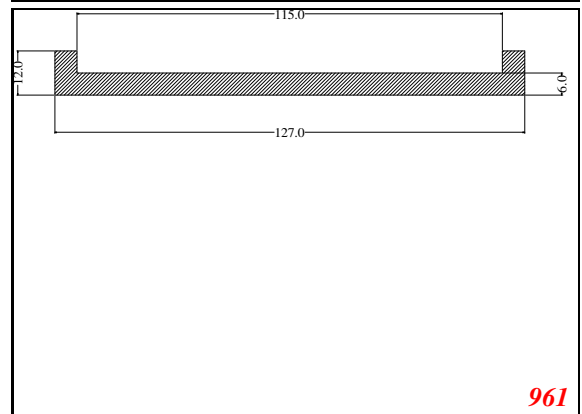
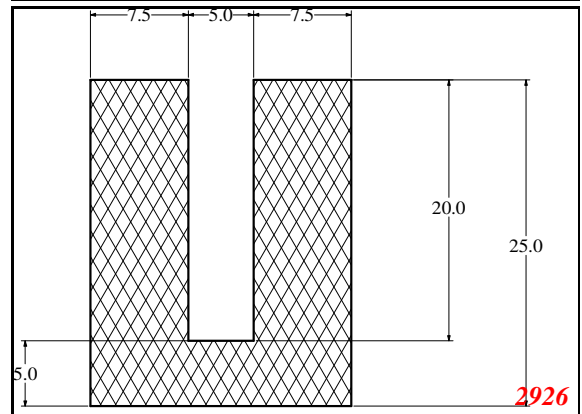
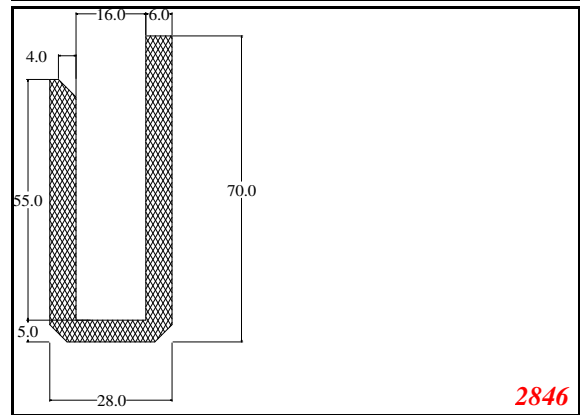
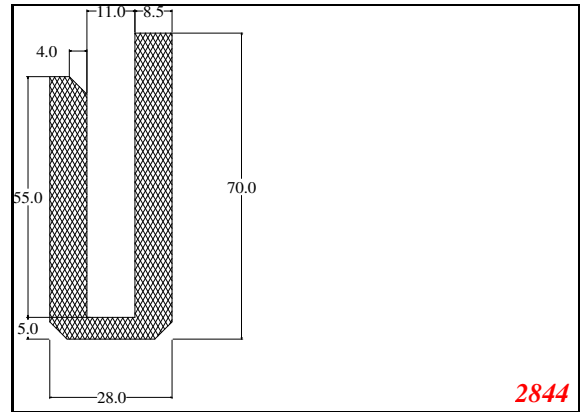
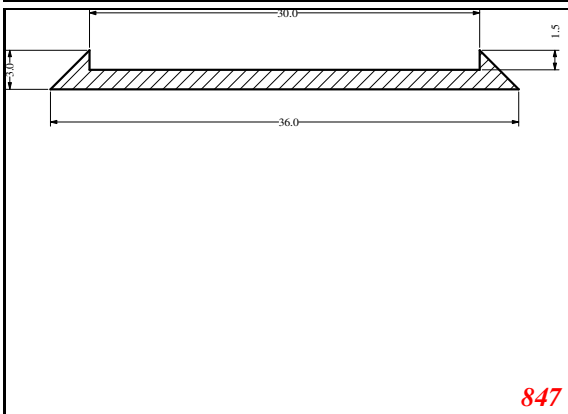
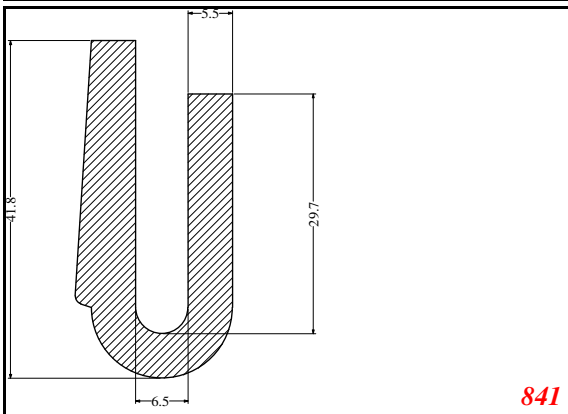
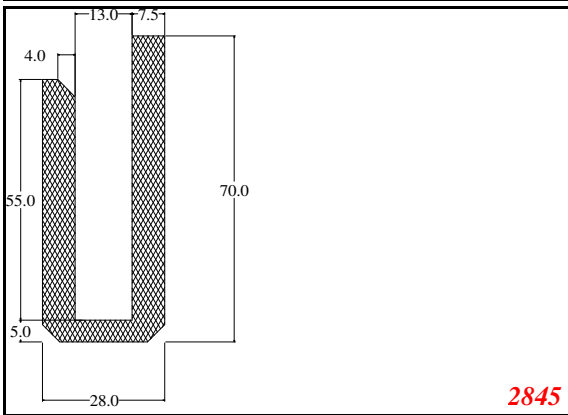
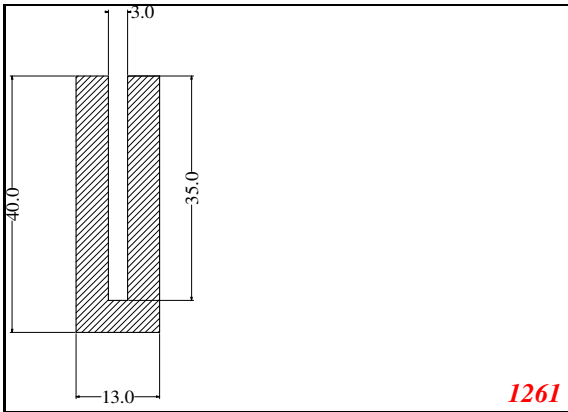


3272

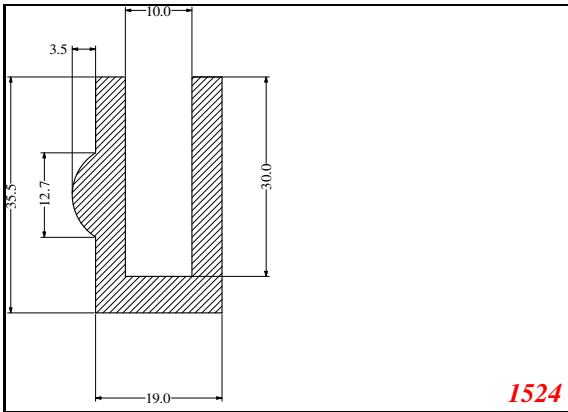
U-Large



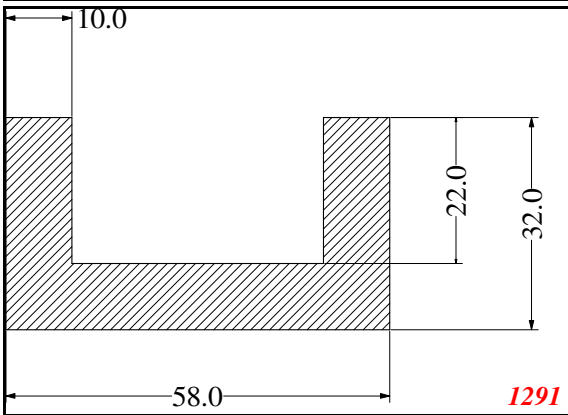
U-Large



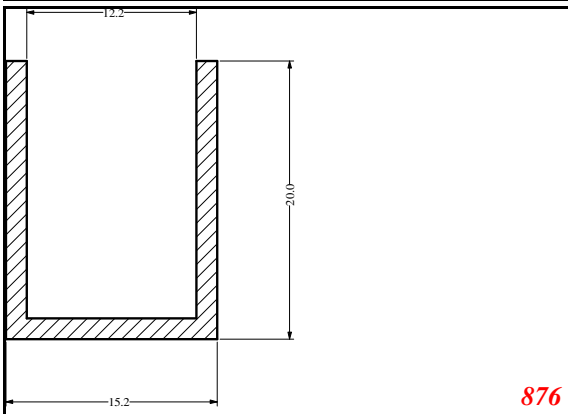
U-Large



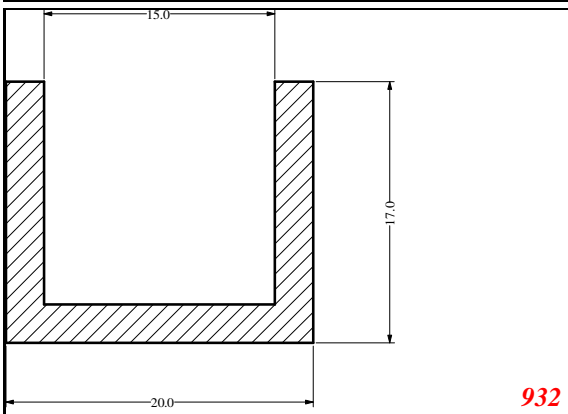
1524



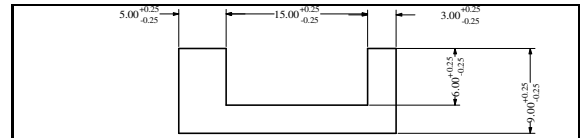
1291



876

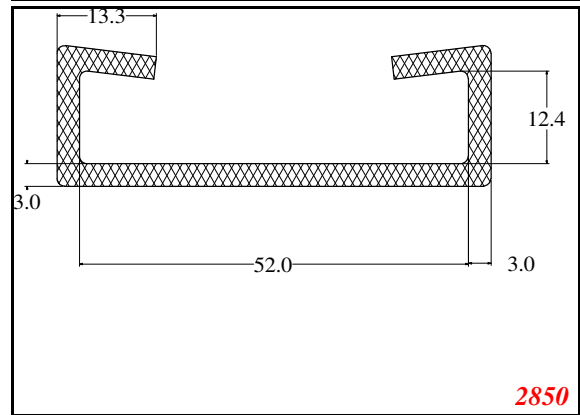


932

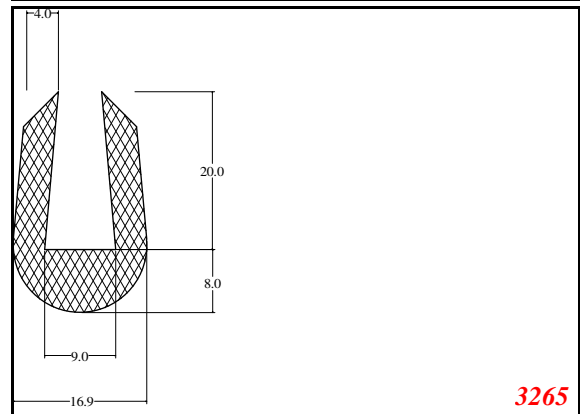


Die Modified on 19/12/97
Height Increased to 9.0mm Legs thickened 1mm channel reduced to 15mm

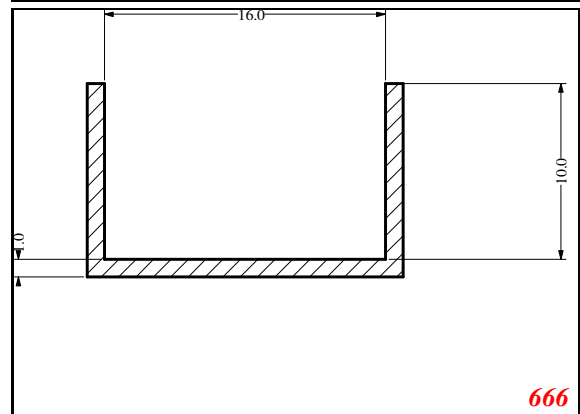
1280



2850

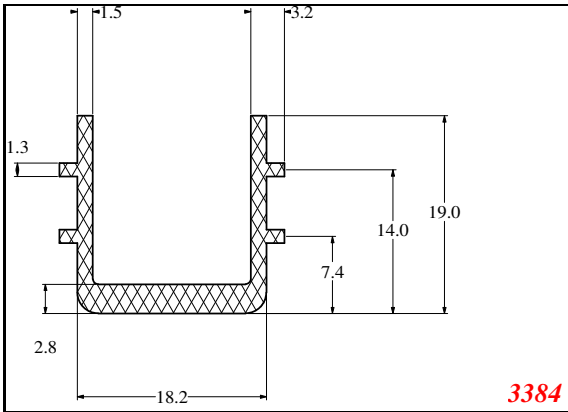


3265

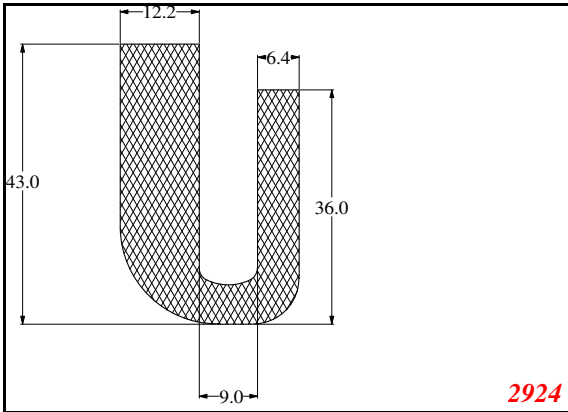


666

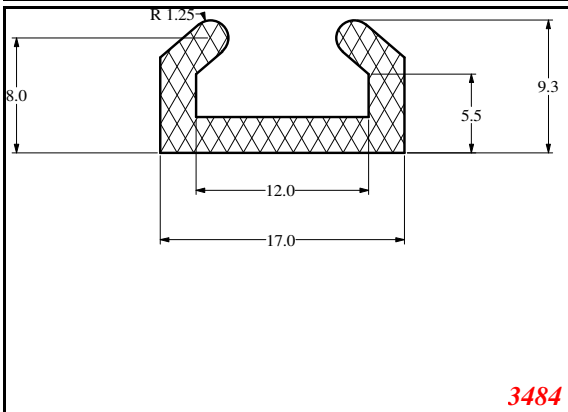
U-Large



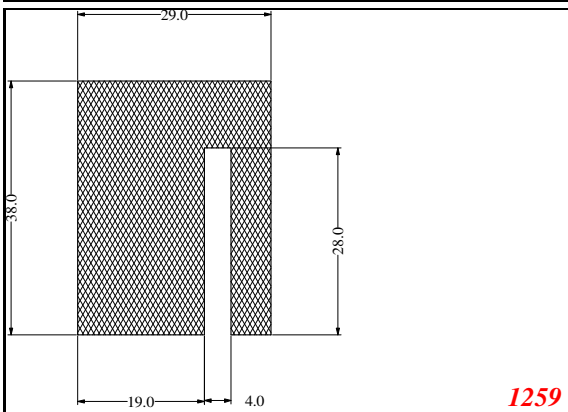
3384



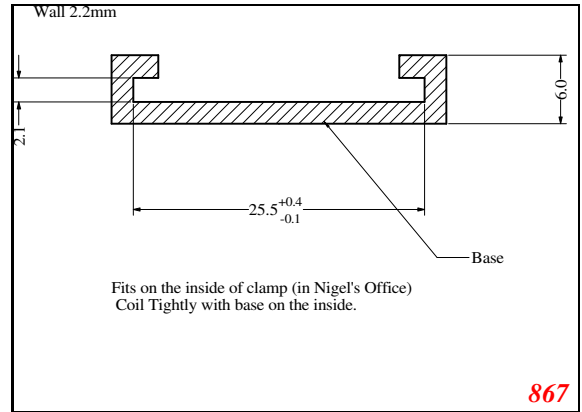
2924



3484

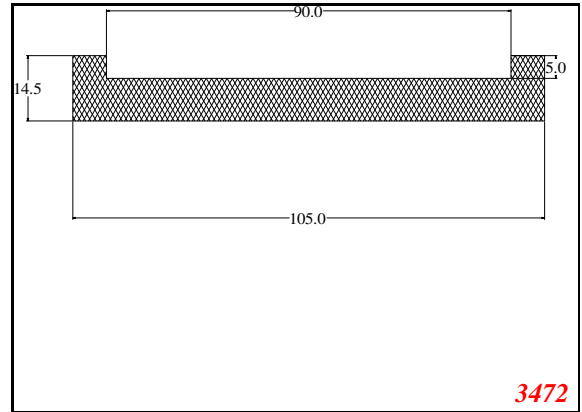


1259

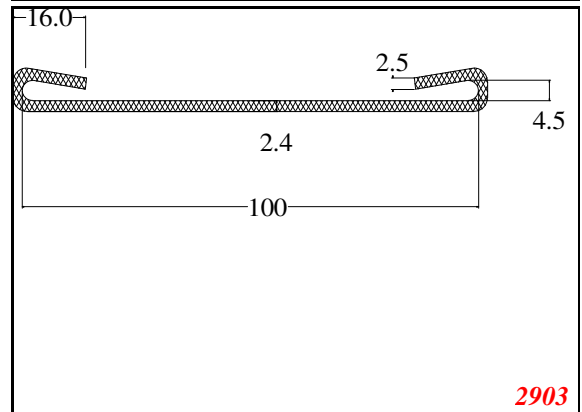


Fits on the inside of clamp (in Nigel's Office)
Coil Tightly with base on the inside.

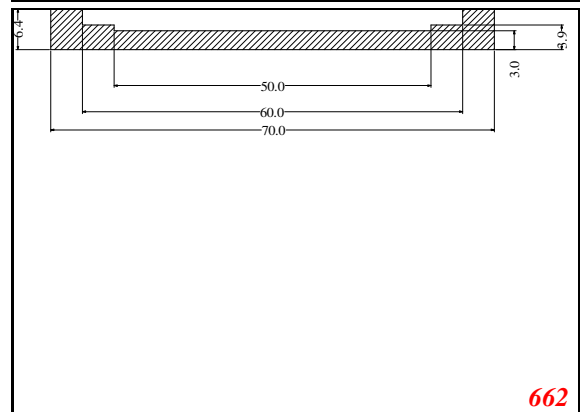
867



3472

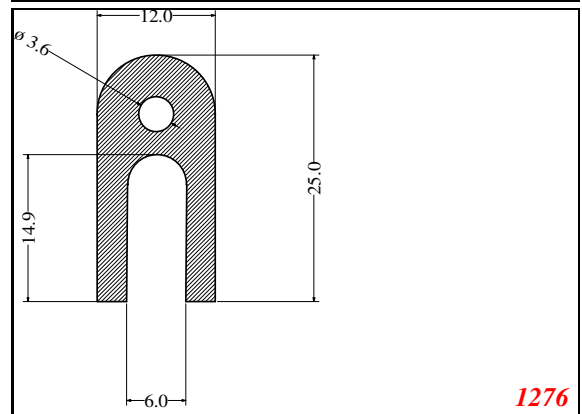
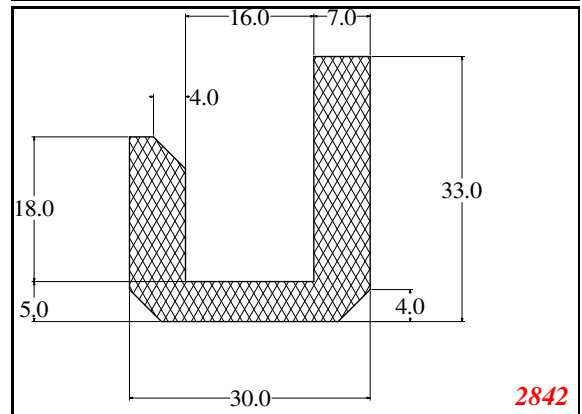
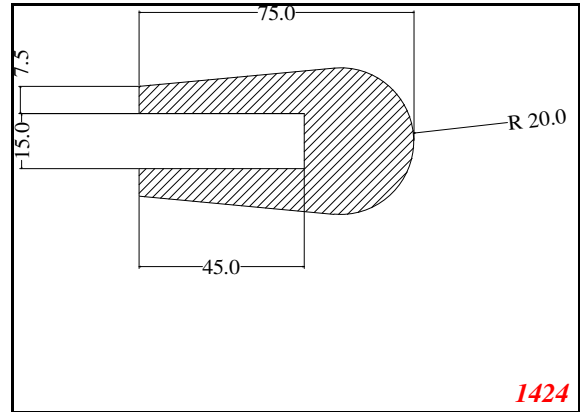
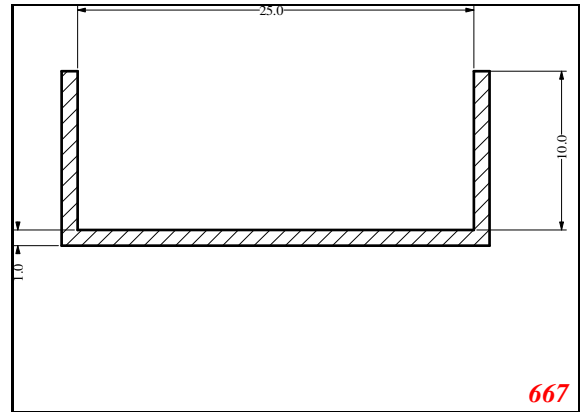
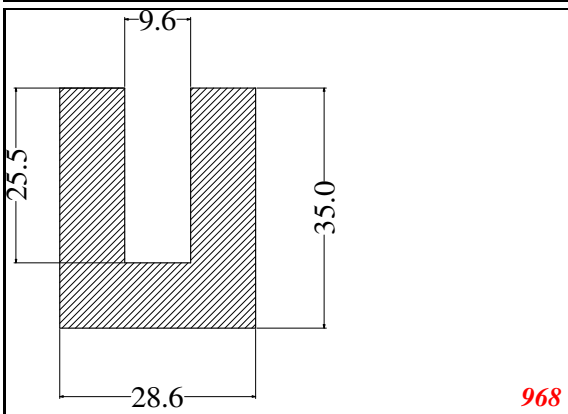
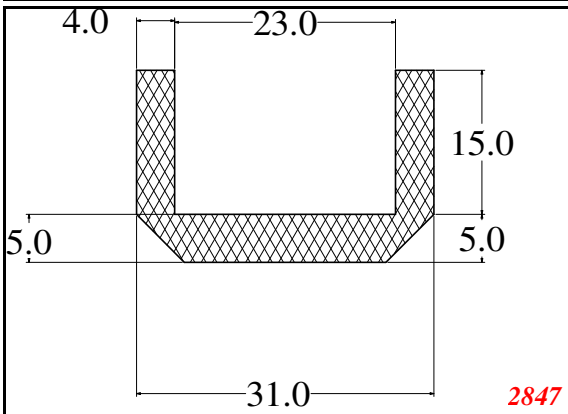
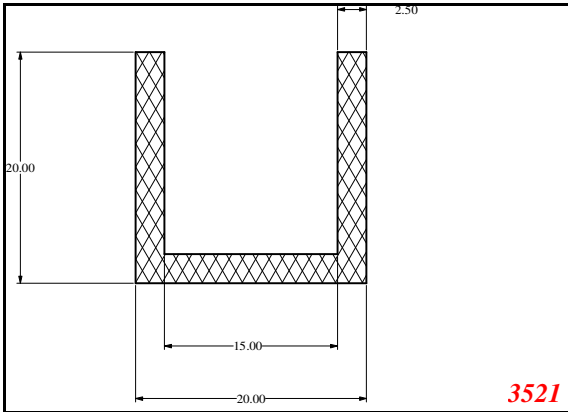
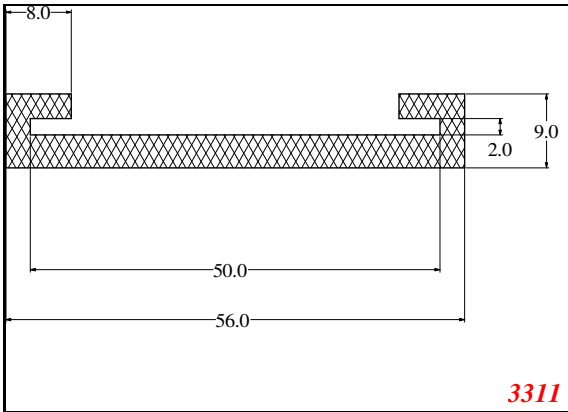


2903



662

U-Large



U-Large

